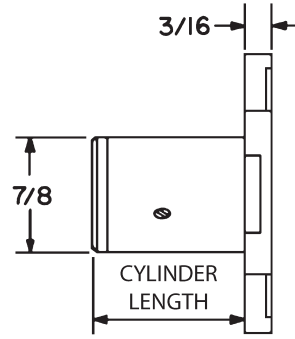
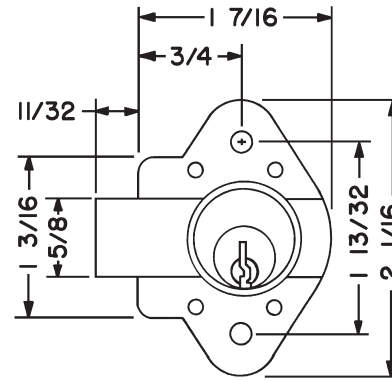


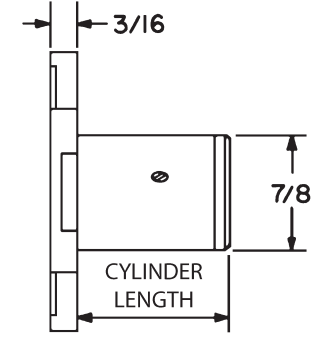
LH — Left-Hand Door



1 1/8" or 1-3/8"



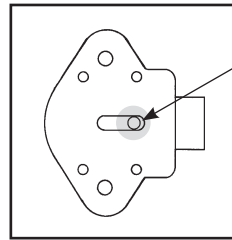
RH — Left-Hand Door



1 1/8" or 1-3/8"

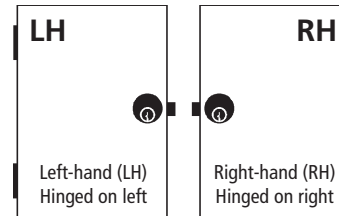
Included Accessories:

- 2 nickel plated keys
- 2 lock mounting screws

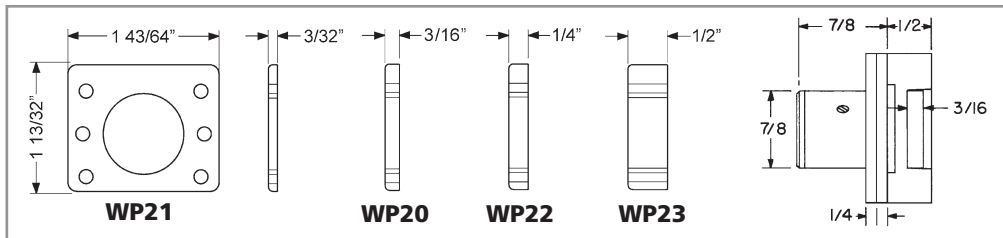


Alignment pin allows for sideways or upside-down mounting.

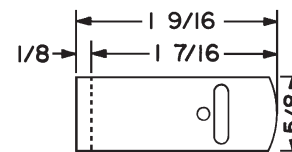
Installation/handing for key-retaining option



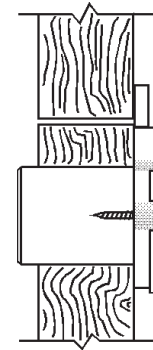
Optional spacers Note: use of spacers and strikes depends on application and material thickness.



Optional long bolt



Typical Installation



Flush Mounted Lock

Note: Depending on your application of overlay, full overlay, or lipped overlay, you may need to use one of our optional strikes.