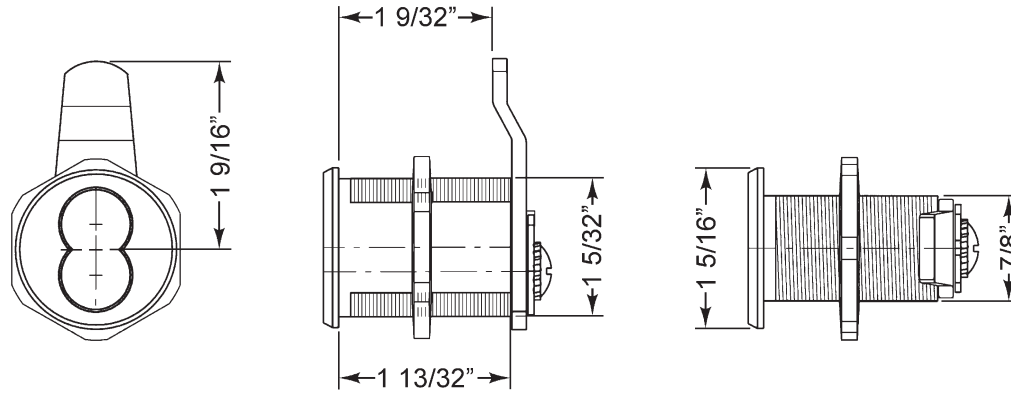
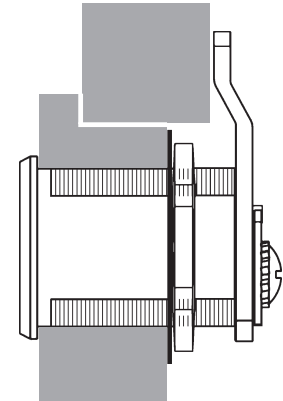


**IMPORTANT:**

It is highly recommended that you install the **prong driver** and **lock cylinder** into the lock body and cycle to the locked position before assembling cam, cam shifter and stop pin onto the back of the lock.



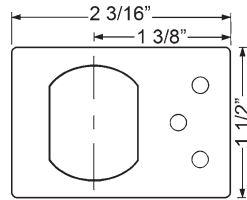
### Typical Installation



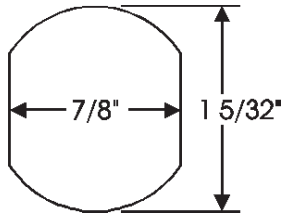
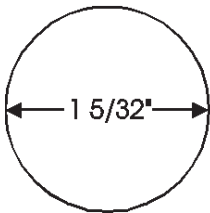
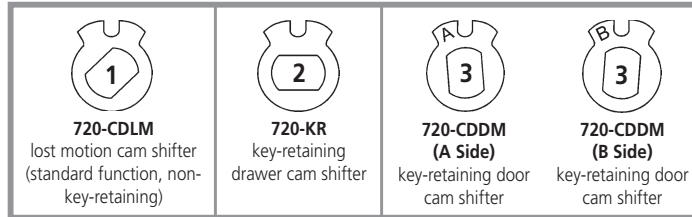
**Optional cams** Note: use of standard and/or optional cams depends on your specific application.

**Included Accessories:**

- 1 plastic thumbturn
- 1 720-PL3 anti-rotation plate and screws
- 1 720-3-1 short inverted cam
- 1 720-3-2 long vertical cam
- 1 720-CDLM
- 1 720-CDDM
- 1 720-KR

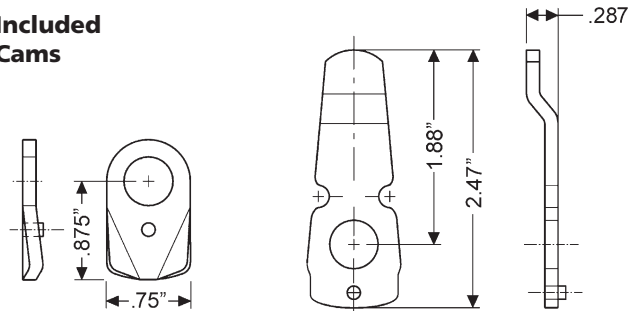


**720-PL3**  
anti-rotation plate



Lock diameter is 1-1/8." Drilled hole should be slightly larger.

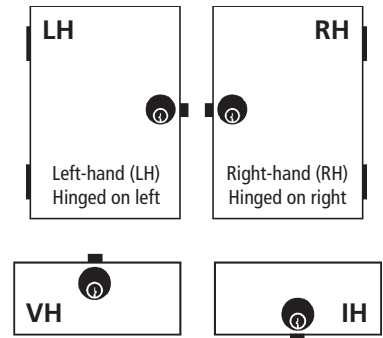
**Included Cams**



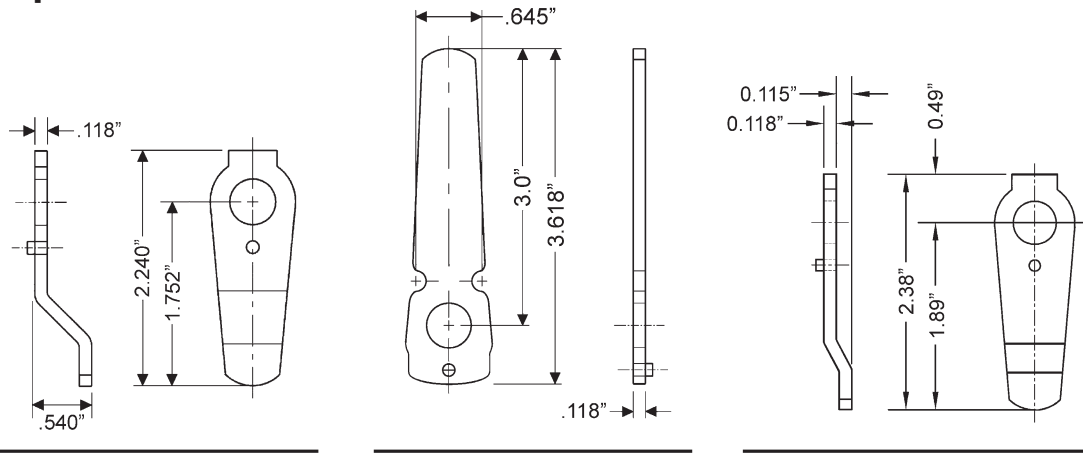
**720-3-1**  
for inverted function

**720-3-2**  
inbent cam for vertical function (bottom-pin style)

### Installation/handing for key-retaining option



## Optional Cams

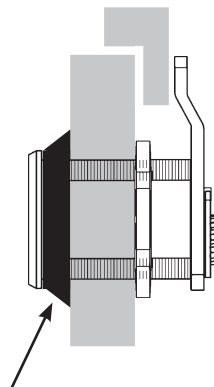


**720-3-3**  
inbent cam for  
inverted function

**720-3-4**  
3" straight cam for vertical  
function

**720-3-5**  
inbent cam for  
inverted function

## Optional TR200 Series Trim Collars



Trim collars pull lock forward allowing it to be used on thinner gauge material thickness.

**Assembled with:** 720-3-2 vertical long cam  
720-3-4 extra long 3" cam

**STOP!** These instructions are for bottom-pin style cams only. If your cam has the brass pin in the middle, see the instructions on **PAGE 5**.

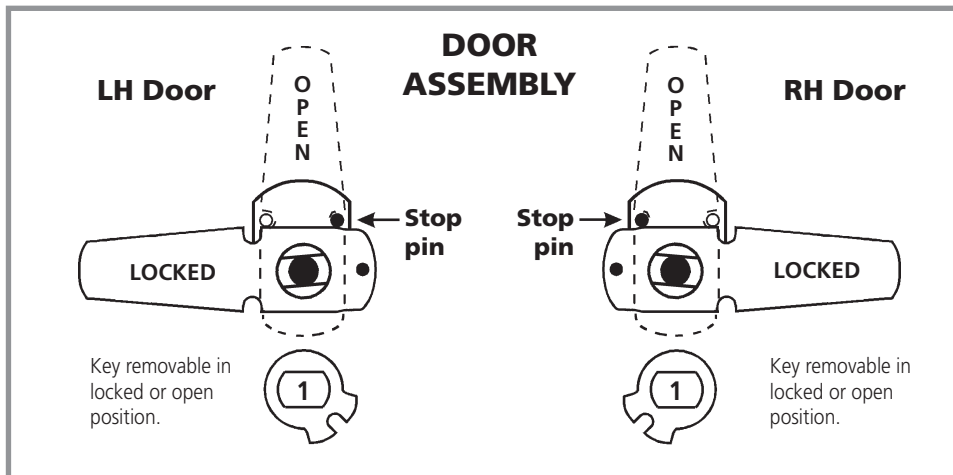
**Important:**

It is highly recommended that you install the prong driver and lock cylinder into the lock body and cycle to the locked position before assembling cam, cam shifter and stop pin onto the back of the lock.

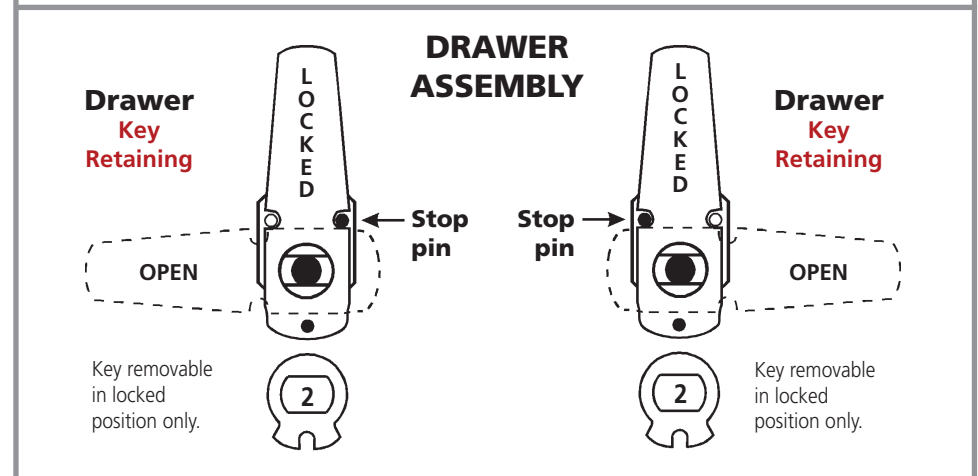
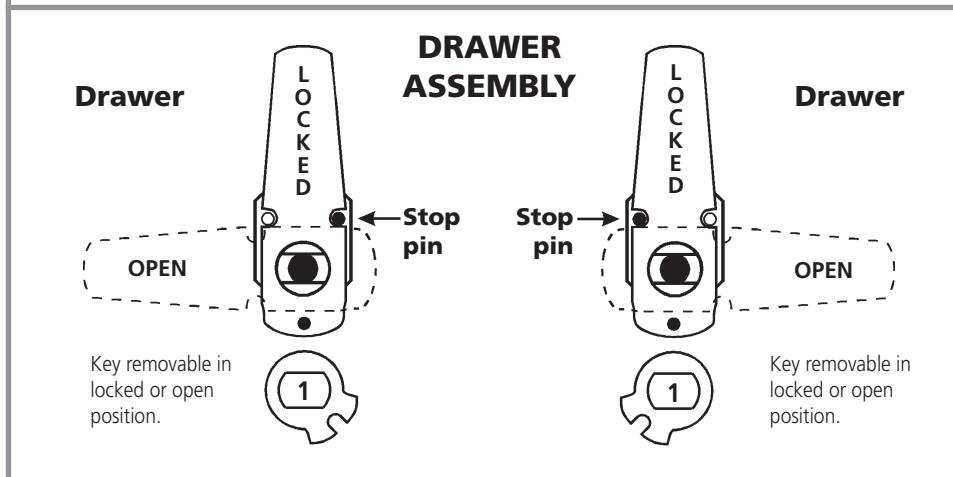
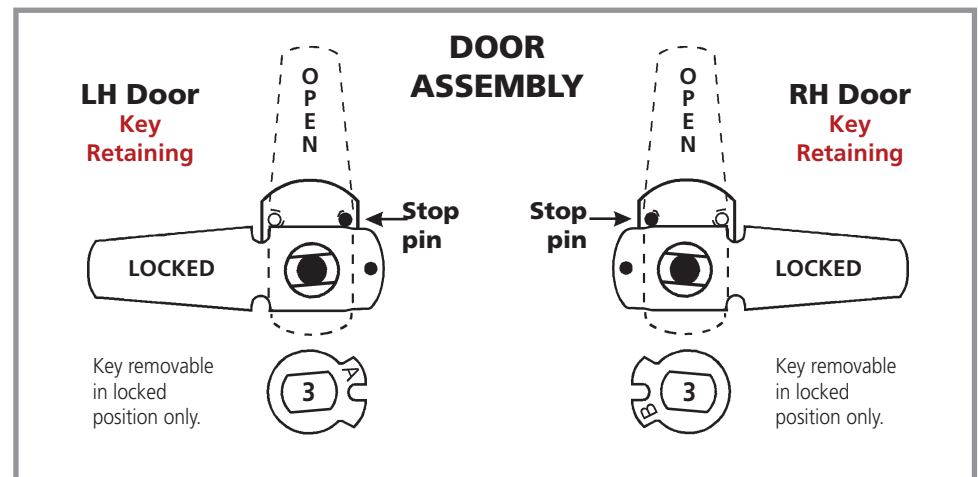
**Supplied Cam Shifters**

<b>720-CDLM</b> lost motion cam shifter (non-key-retaining)	<b>720-KR</b> key retaining drawer cam shifter	<b>720-CDDM (A Side)</b> key retaining door cam shifter	<b>720-CDDM (B Side)</b> key retaining door cam shifter

**STANDARD Function Cam Assembly**



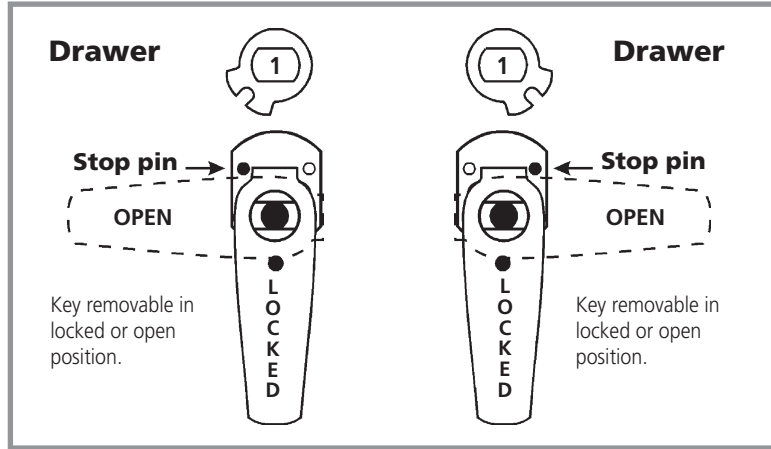
**KEY-RETAINING Function Cam Assembly**



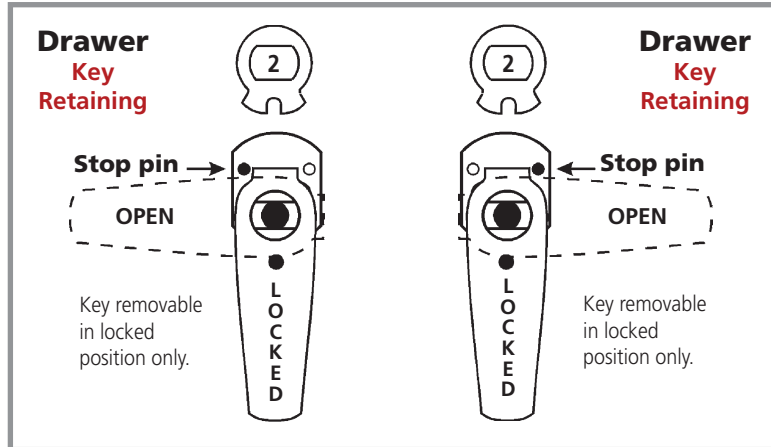
**Assembled with:** 720-3-3 inverted long cam  
720-3-5 inverted long cam

**Assembled with:** 720-3-1 inverted short cam

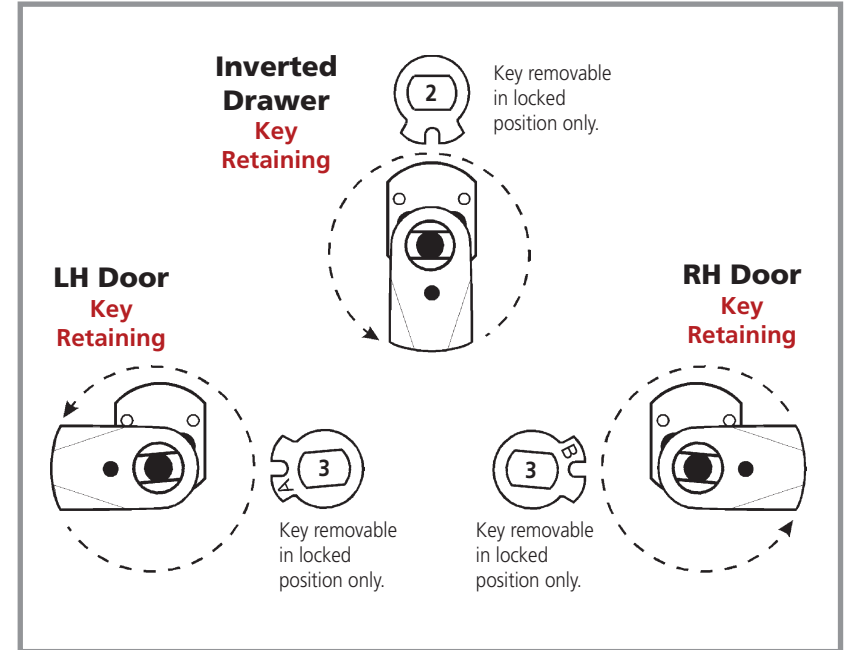
## STANDARD Function Cam Assembly



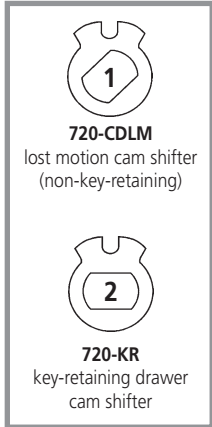
## KEY-RETAINING Function Cam Assembly



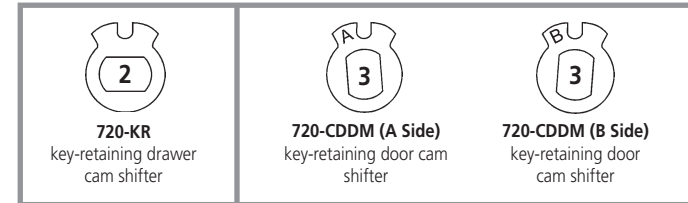
## KEY-RETAINING (direct drive) Function Cam Assembly



### Supplied Cam Shifters



### Supplied Cam Shifters



### Important:

It is highly recommended that you install the prong driver and lock cylinder into the lock body and cycle to the locked position before assembling cam, cam shifter and stop pin onto the back of the lock.

**Assembled with:** 720-3-2 vertical long cam  
720-3-4 extra long 3" cam

**STOP!** These instructions are for mid-pin style cams only. If your cam has the brass pin on the bottom, see the instructions on **PAGE 3**.

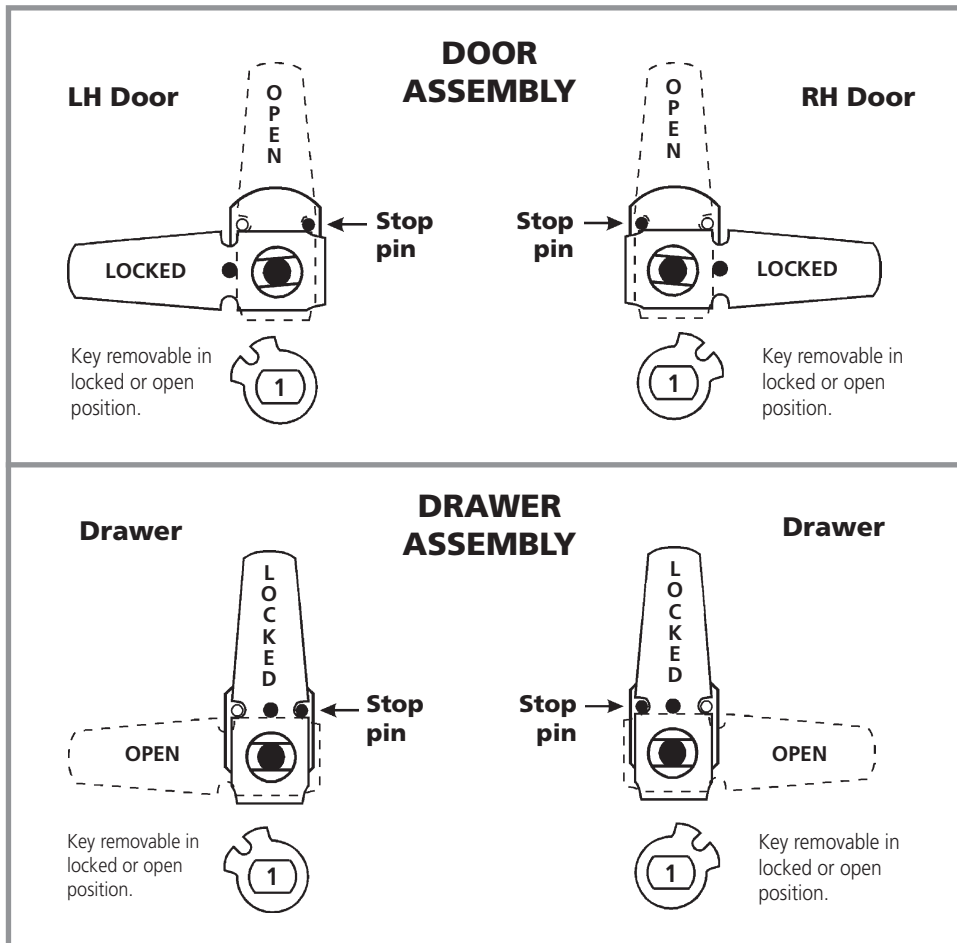
**Important:**

It is highly recommended that you install the prong driver and lock cylinder into the lock body and cycle to the locked position before assembling cam, cam shifter and stop pin onto the back of the lock.

**Supplied Cam Shifters**

<b>720-CDLM</b> lost motion cam shifter (non-key-retaining)	<b>720-KR</b> key retaining drawer cam shifter	<b>720-CDDM (A Side)</b> key retaining door cam shifter	<b>720-CDDM (B Side)</b> key retaining door cam shifter

**STANDARD Function Cam Assembly**



**KEY-RETAINING Function Cam Assembly**

