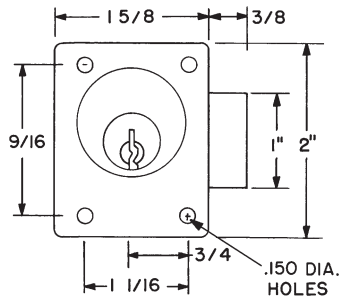
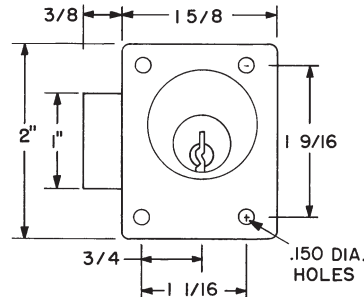


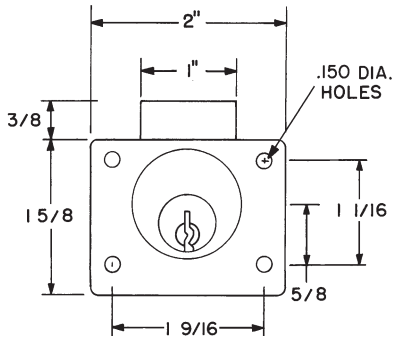
### L78L - Left Hand (LH)



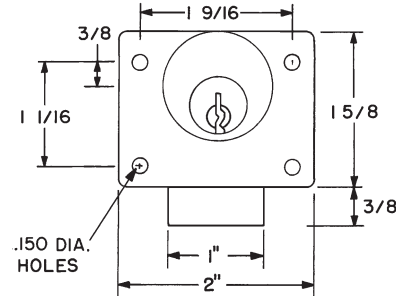
### L78R - Right Hand (RH)



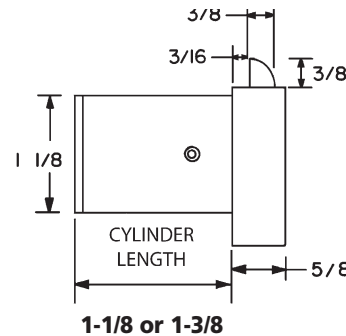
### L78V - Vertical Hand (VH)



### L78I - Inverted Hand (IH)

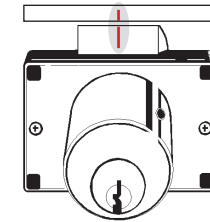


See box to right for correct strike placement.



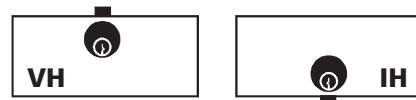
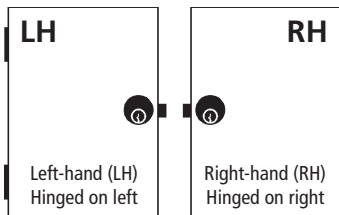
### IMPORTANT NOTE FOR LOCK AND STRIKE INSTALLATION:

Be sure and position barrel/cylinder and bolt for desired handing before drilling hole for lock. The position of the barrel/cylinder relative to the lock body is different for each of the four available handings. It is critical to configure the lock for the correct handing before starting installation.



**STRIKE INSTALLATION:** Line up center mark on latch with center mark on strike for correct strike placement.

### Installation/handing



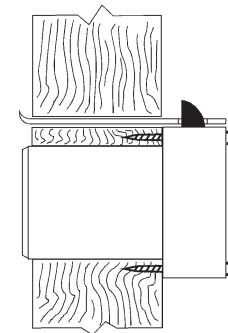
### Included Accessories (1-1/8 barrel length locks):

- 2 nickel plated keys
- 2 10-351 plastic spacers
- 1 L78ST-1 lip strike
- 4 lock mounting screws

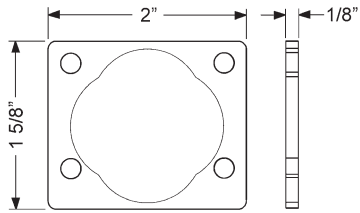
### Included Accessories (1-3/8 barrel length locks):

- 2 nickel plated keys
- 1 L78ST-2 lip strike
- 4 lock mounting screws

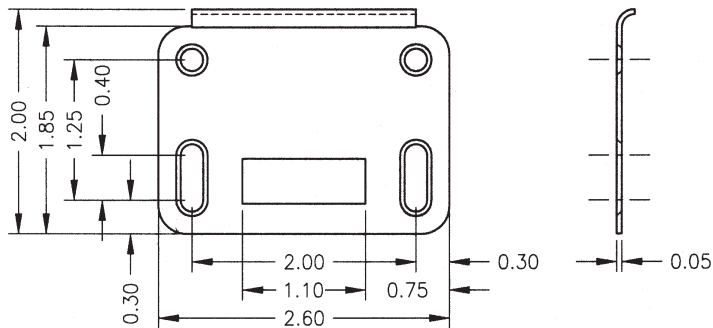
### Typical Installation



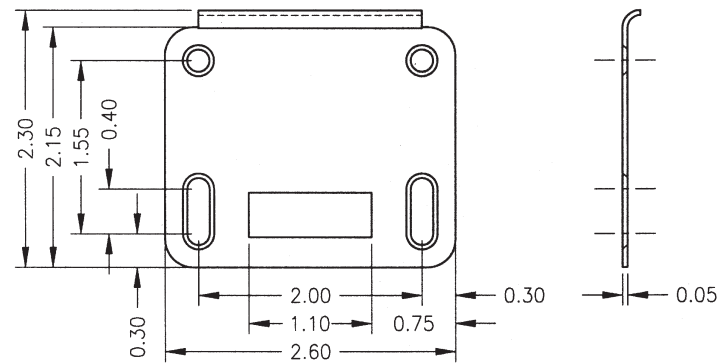
**Spacer options** Note: use of spacers and strikes depends on application and material thickness.



**10-351** plastic spacer



**L78ST-1** lip strike



**L78ST-2** lip strike