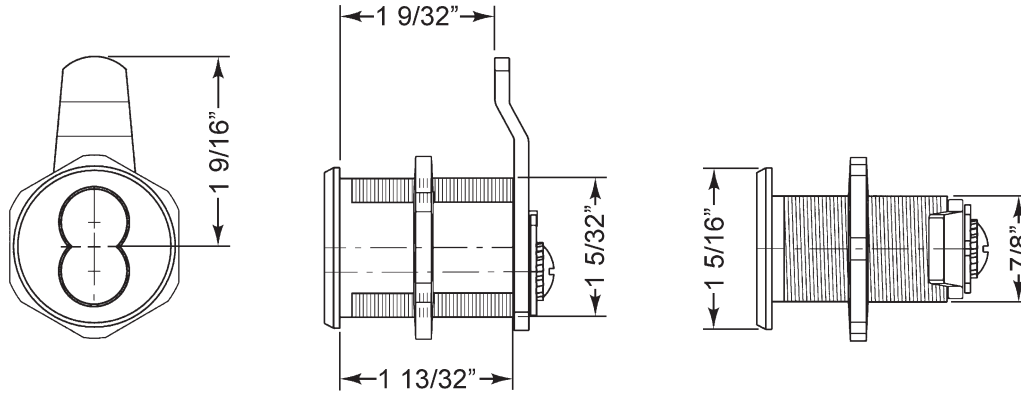
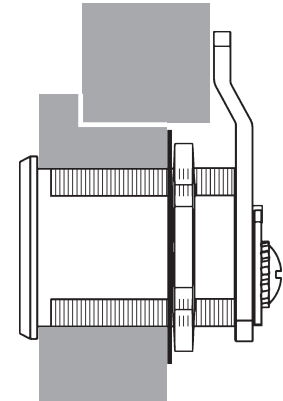


IMPORTANT:

It is highly recommended that you install the **prong driver** and **lock cylinder** into the lock body and cycle to the locked position before assembling cam, cam shifter and stop pin onto the back of the lock.



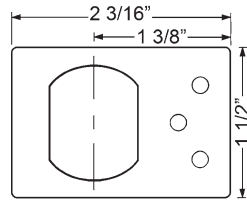
Typical Installation



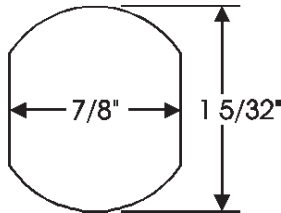
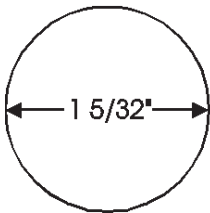
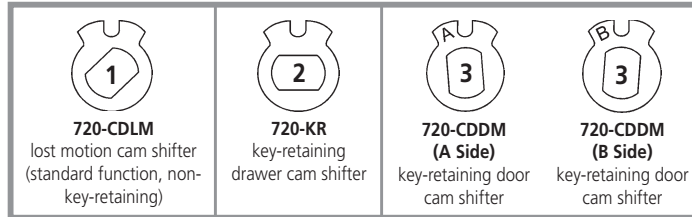
Optional cams Note: use of standard and/or optional cams depends on your specific application.

Included Accessories:

- 1 plastic thumbturn
- 1 720-PL3 anti-rotation plate and screws
- 1 720-3-1 short inverted cam
- 1 720-3-2 long vertical cam
- 1 720-CDLM
- 1 720-CDDM
- 1 720-KR

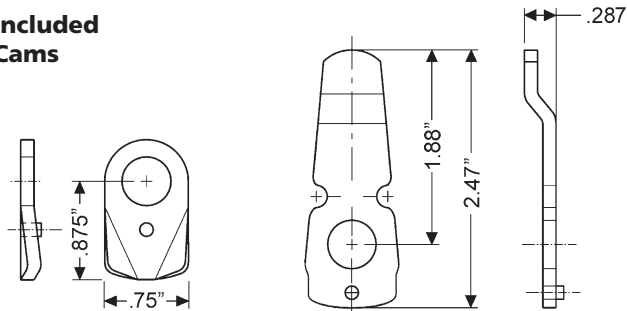


720-PL3
anti-rotation plate



Lock diameter is 1-1/8." Drilled hole should be slightly larger.

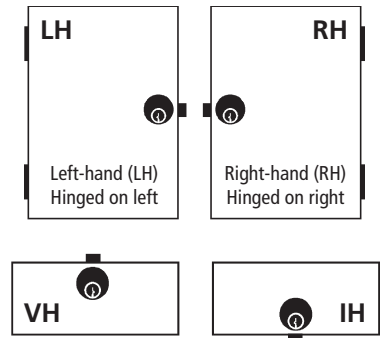
Included Cams



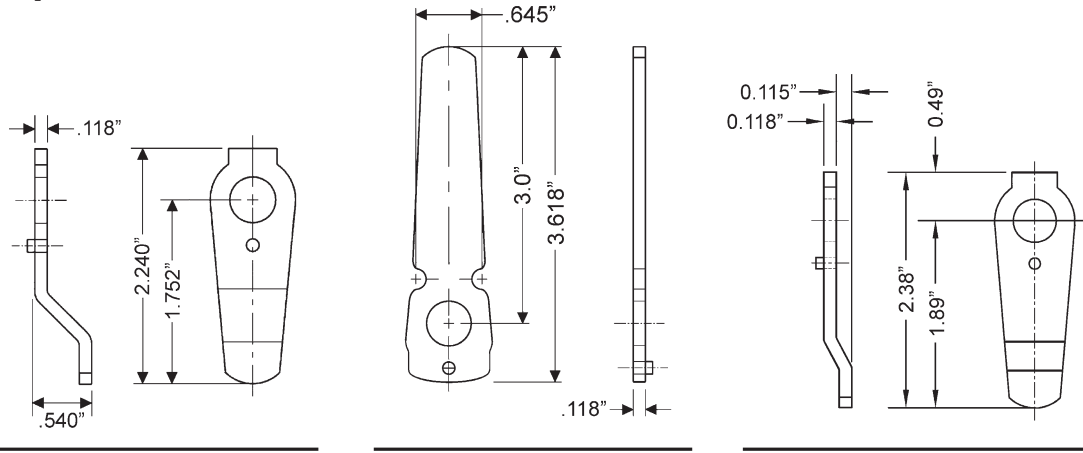
720-3-1
for inverted function

720-3-2
inbent cam for vertical function (bottom-pin style)

Installation/handing for key-retaining option



Optional Cams

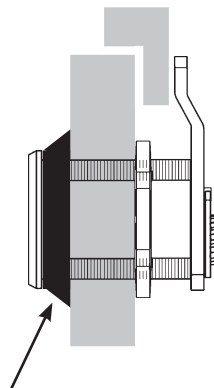


720-3-3
inbent cam for
inverted function

720-3-4
3" straight cam for vertical
function

720-3-5
inbent cam for
inverted function

Optional TR200 Series Trim Collars



Trim collars pull lock forward allowing it to be used on thinner gauge material thickness.

Assembled with: 720-3-2 vertical long cam
720-3-4 extra long 3" cam

STOP! These instructions are for bottom-pin style cams only. If your cam has the brass pin in the middle, see the instructions on **PAGE 5**.

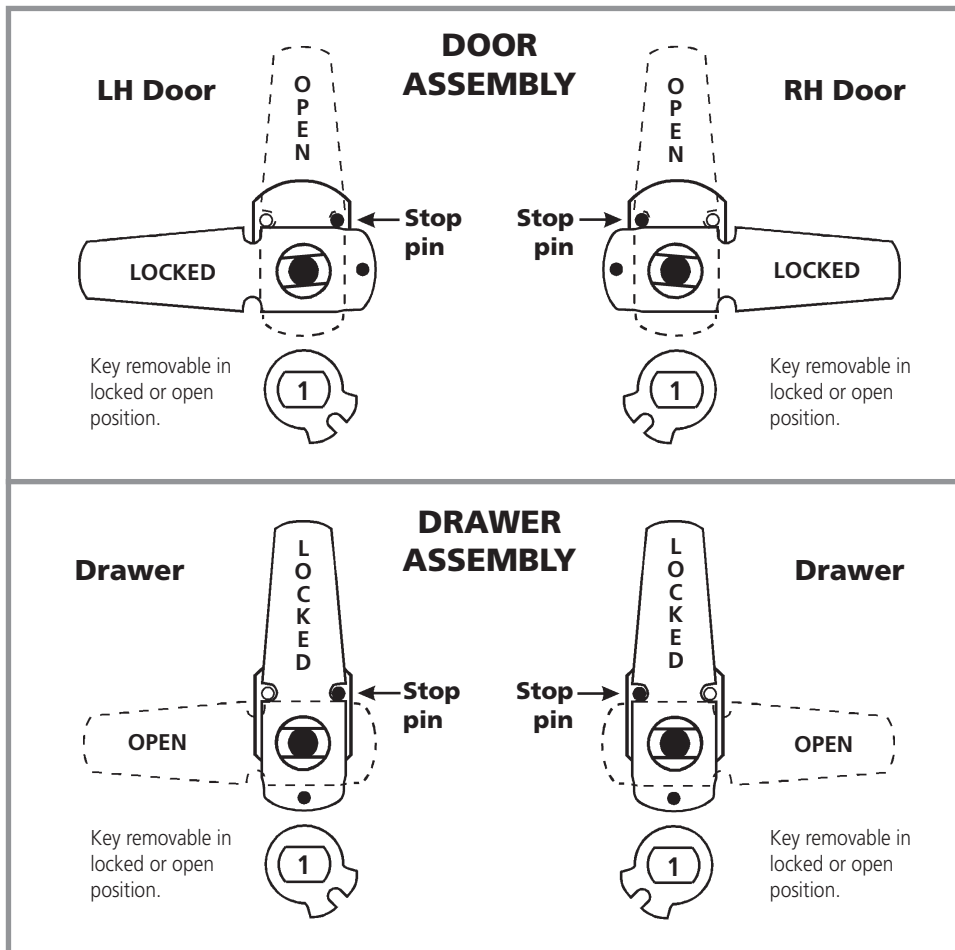
Important:

It is highly recommended that you install the prong driver and lock cylinder into the lock body and cycle to the locked position before assembling cam, cam shifter and stop pin onto the back of the lock.

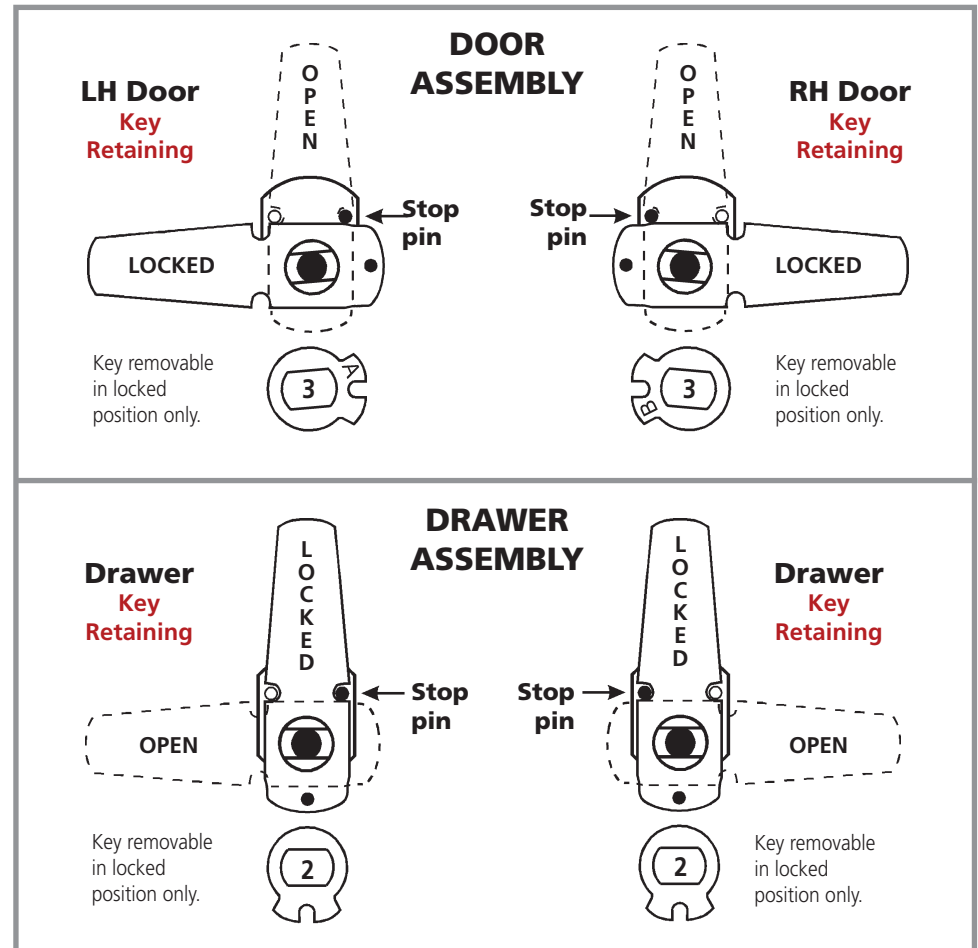
Supplied Cam Shifters

720-CDLM lost motion cam shifter (non-key-retaining)	720-KR key retaining drawer cam shifter	720-CDDM (A Side) key retaining door cam shifter	720-CDDM (B Side) key retaining door cam shifter

STANDARD Function Cam Assembly



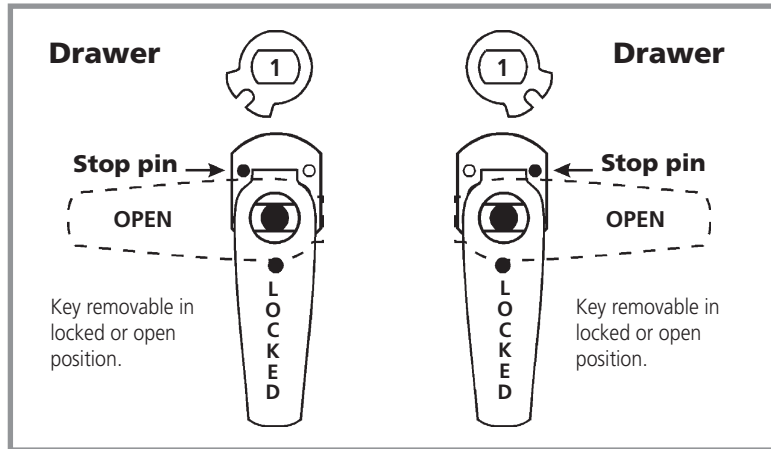
KEY-RETAINING Function Cam Assembly



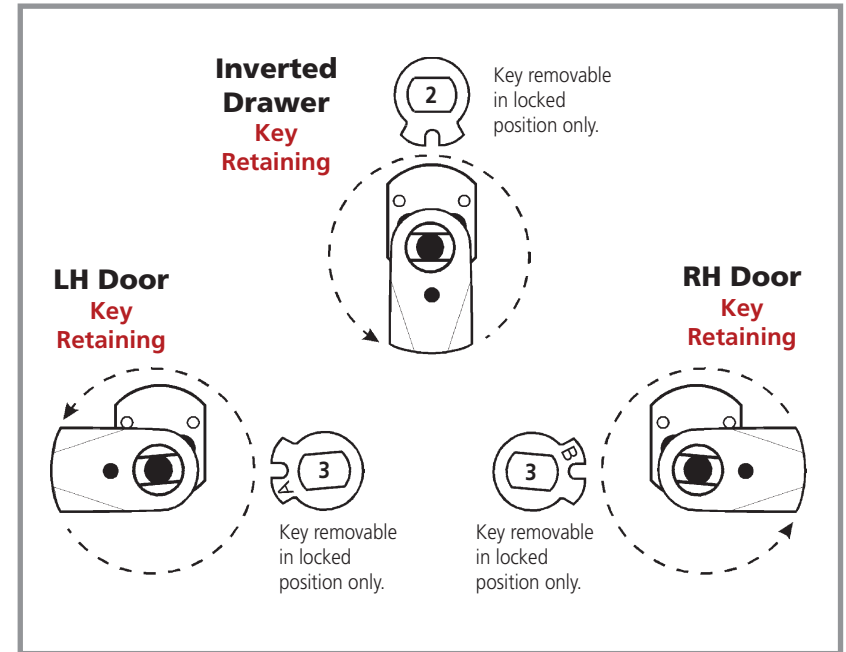
Assembled with: 720-3-3 inverted long cam
720-3-5 inverted long cam

Assembled with: 720-3-1 inverted short cam

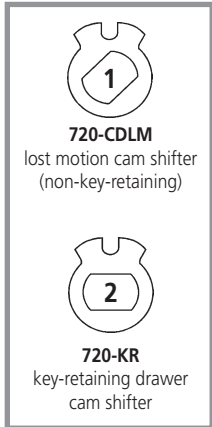
STANDARD Function Cam Assembly



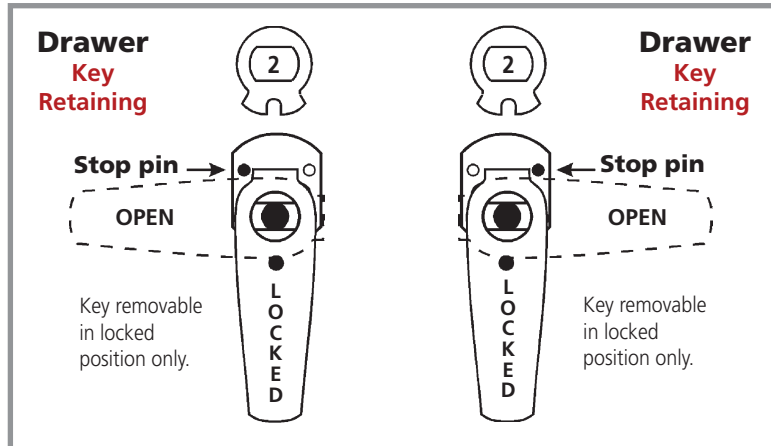
KEY-RETAINING (direct drive) Function Cam Assembly



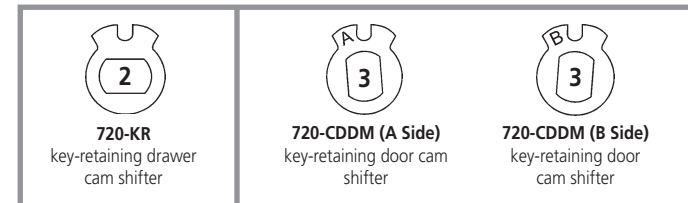
Supplied Cam Shifters



KEY-RETAINING Function Cam Assembly



Supplied Cam Shifters



Important:

It is highly recommended that you install the prong driver and lock cylinder into the lock body and cycle to the locked position before assembling cam, cam shifter and stop pin onto the back of the lock.

Assembled with: 720-3-2 vertical long cam
720-3-4 extra long 3" cam

STOP! These instructions are for mid-pin style cams only. If your cam has the brass pin on the bottom, see the instructions on **PAGE 3**.

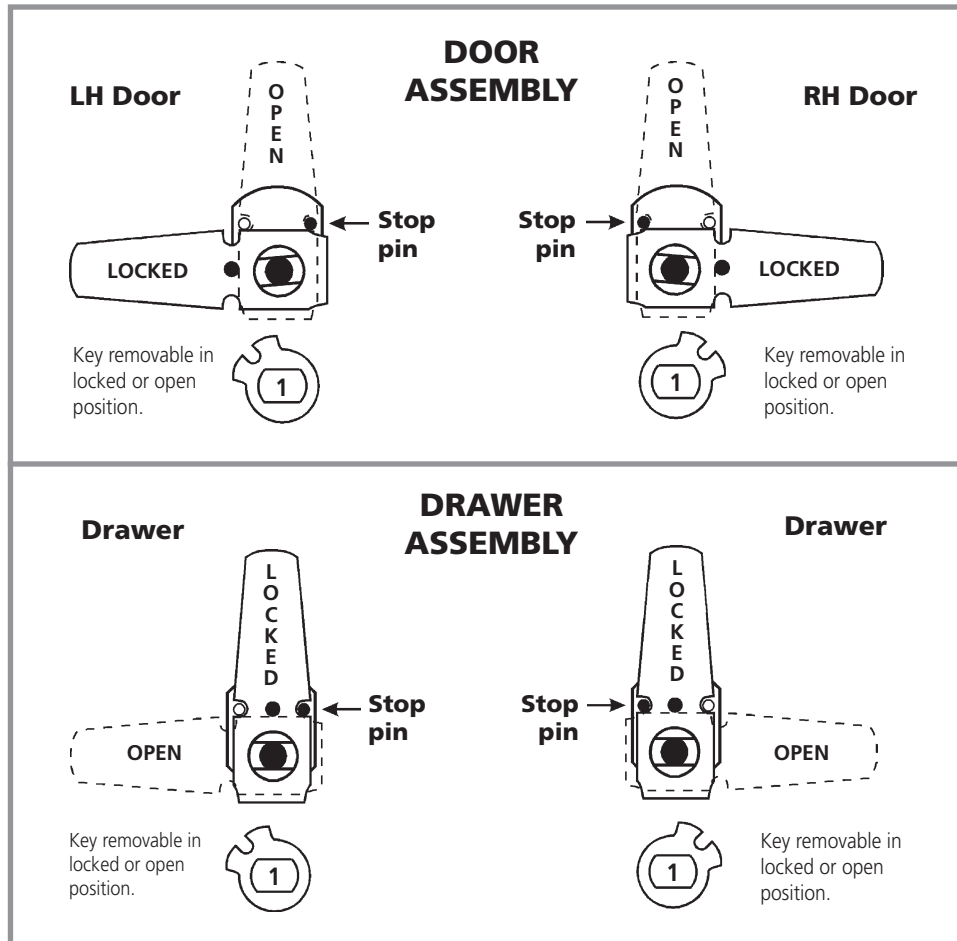
Important:

It is highly recommended that you install the prong driver and lock cylinder into the lock body and cycle to the locked position before assembling cam, cam shifter and stop pin onto the back of the lock.

Supplied Cam Shifters

--	--	--	--

STANDARD Function Cam Assembly



KEY-RETAINING Function Cam Assembly

