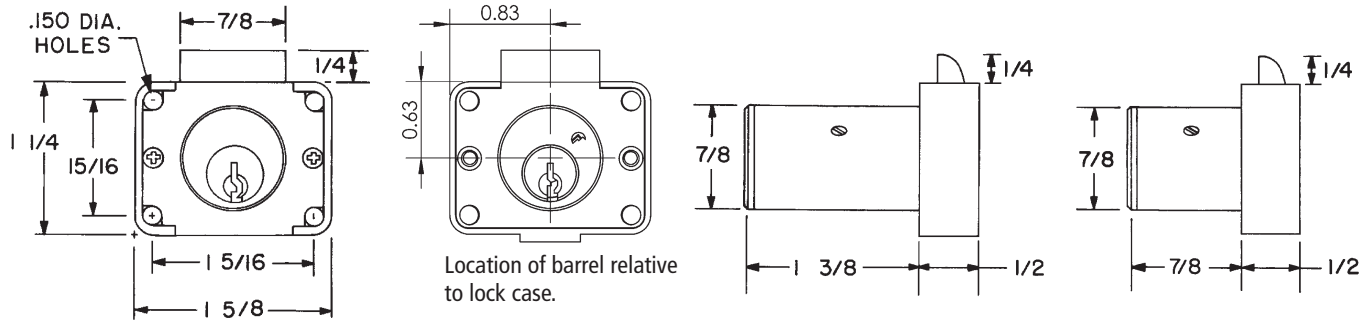


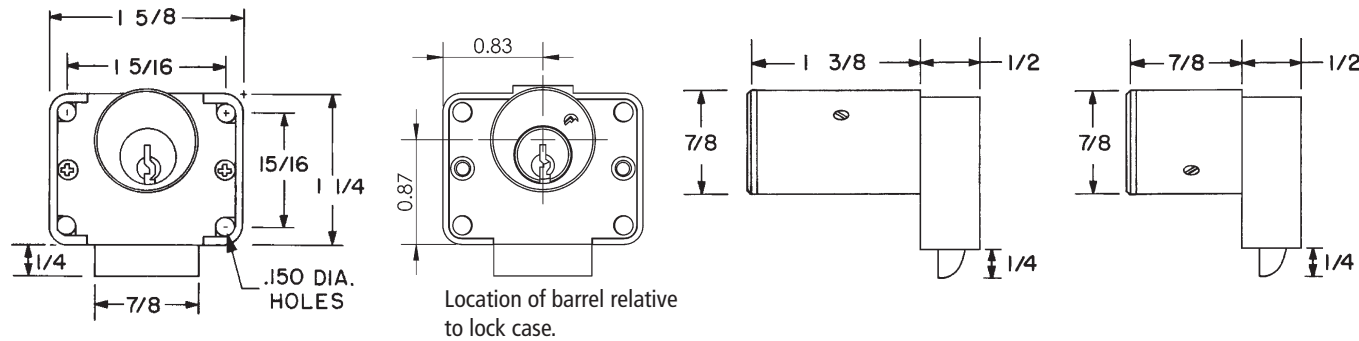
998V — VERTICAL HAND (VH)



Location of barrel relative to lock case.

See box to right for correct strike placement. →

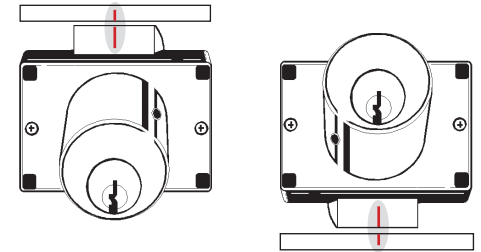
998I — INVERTED HAND (IH)



Location of barrel relative to lock case.

IMPORTANT NOTE FOR LOCK AND STRIKE INSTALLATION:

Be sure and position barrel/cylinder and bolt for desired handing before drilling hole for lock. The position of the barrel/cylinder relative to the lock body is different for each of the four available handings. It is critical to configure the lock for the correct handing before starting installation.



STRIKE INSTALLATION: Line up center mark on latch with center mark on strike for correct strike placement.

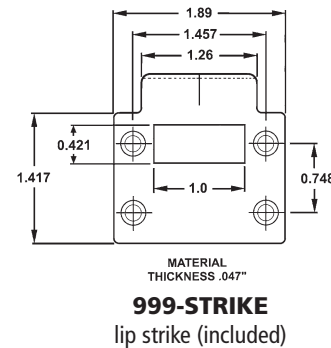
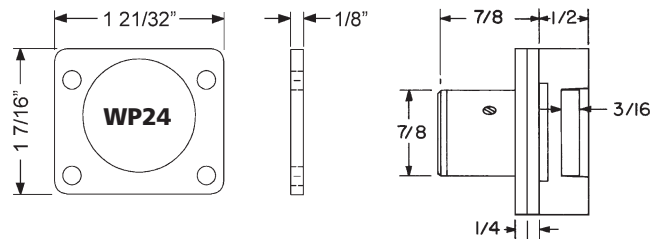
Included Accessories:

- 2 nickel plated keys
- 999-STRIKE lipped strike
- 4 lock mounting screws

Installation/handing



Spacer options Note: use of spacers and strikes depends on application and material thickness.



Typical Installation

