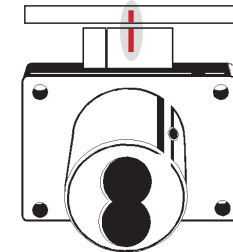


See box to right for correct strike placement. →

IMPORTANT NOTE FOR LOCK AND STRIKE INSTALLATION:

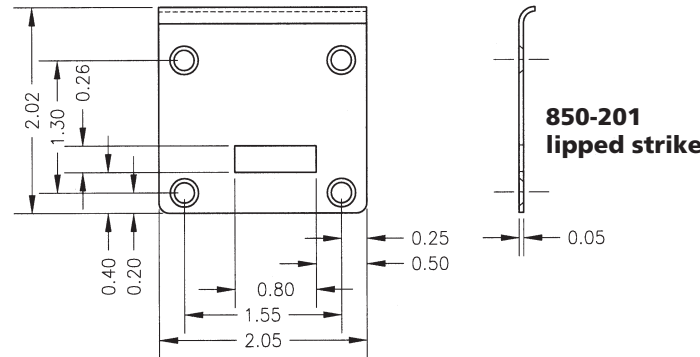
Be sure and position barrel/cylinder and bolt for desired handing before drilling hole for lock. The position of the barrel/cylinder relative to the lock body is different for each of the four available handings. It is critical to configure the lock for the correct handing before starting installation.



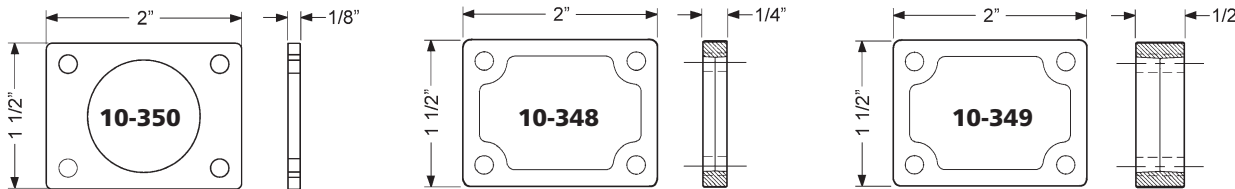
STRIKE INSTALLATION: Line up center mark on latch with center mark on strike for correct strike placement.

Included Accessories:

- 2 10-350 spacers
- 1 725-1 spacer for 6-pin cores
- 1 850-210 lipped strike
- 1 725-PA plastic thumbturn
- 4 lock mounting screws



Spacer options Note: use of spacers and strikes depends on application and material thickness.



Typical Installation

