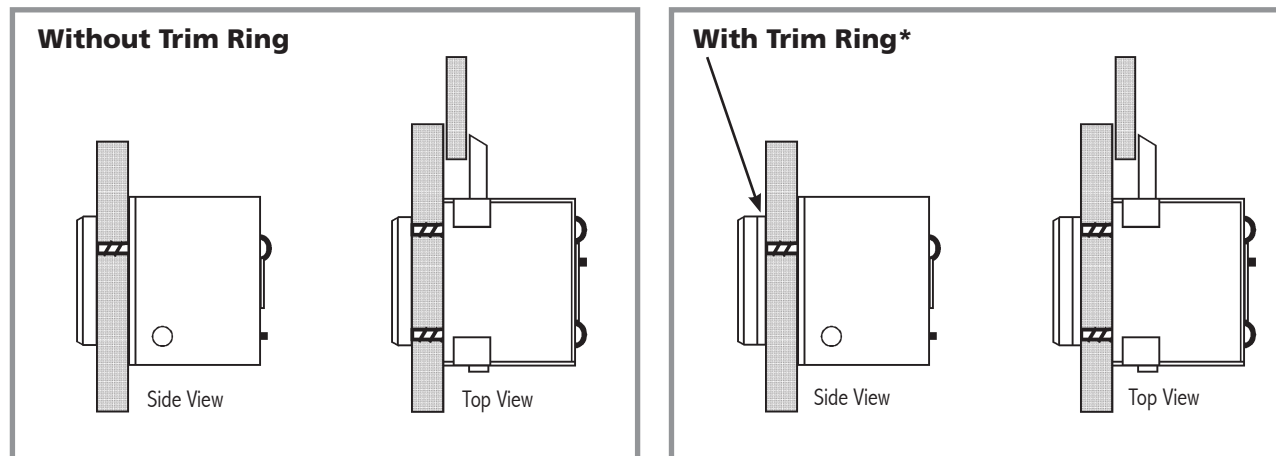


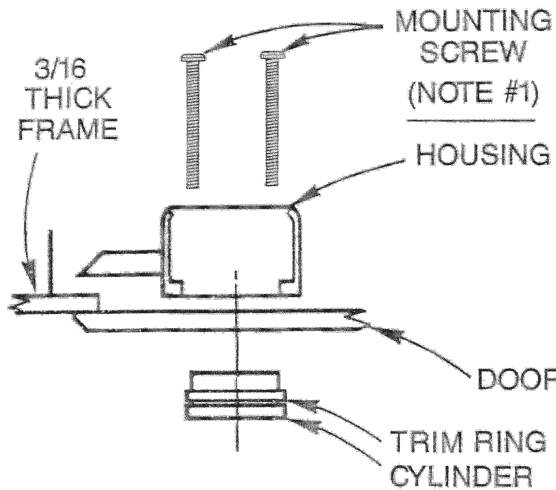
Included Accessories:

- 1 trim ring*
- 2 lock mounting screws



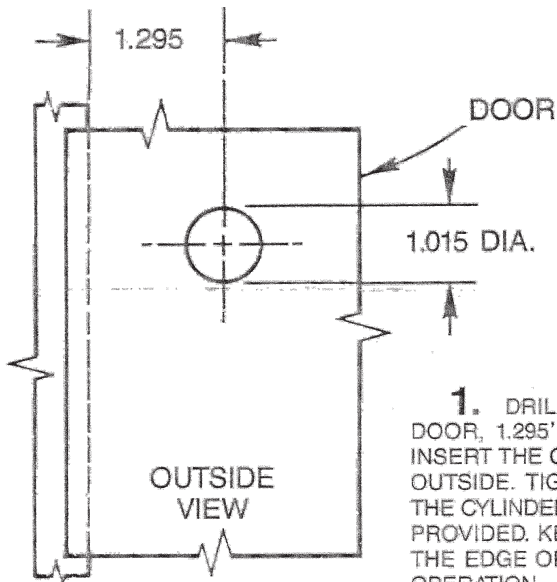
* Optional trim ring may be required for thin gauge metal doors when used with 7-pin SFIC cylinders

NOTE: Actual installation will vary depending upon the specific mailbox manufacturer and dimensions of the metal enclosure and door.



THICKER DOORS DO NOT REQUIRE THE USE OF THE INCLUDED TRIM RING.

THINNER DOORS REQUIRE USE OF THE INCLUDED TRIM RING SO THAT 7-PIN SFIC CYLINDERS WILL FIT INTO THE LOCK.



1. DRILL A 1.015" DIAMETER HOLE IN THE DOOR, 1.295" FROM THE EDGE OF THE FRAME. INSERT THE CYLINDER INTO THE HOLE FROM THE OUTSIDE. TIGHTEN THE HOUSING SECURELY TO THE CYLINDER WITH THE TWO MOUNTING SCREWS PROVIDED. KEEP THE LATCH PERPENDICULAR TO THE EDGE OF THE DOOR. CHECK FOR CORRECT OPERATION.