



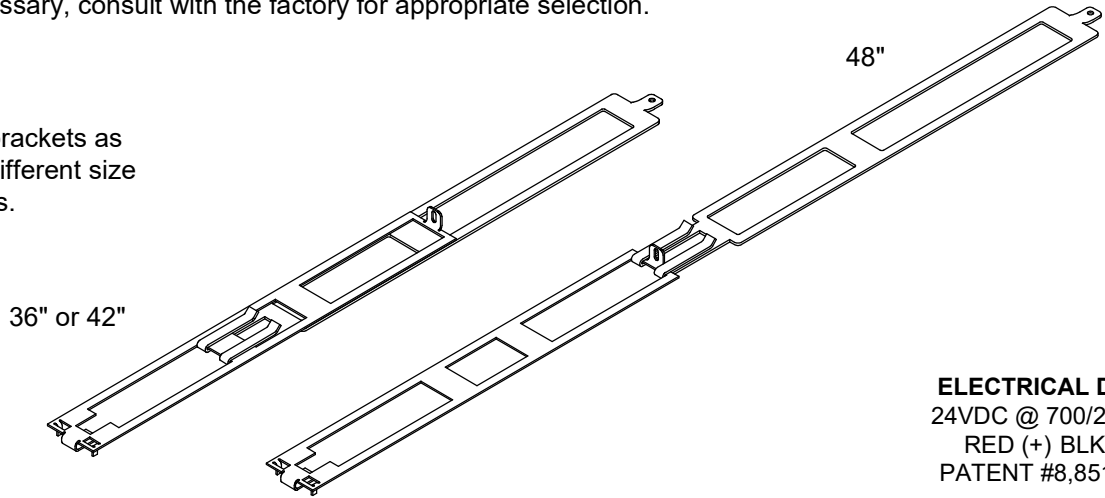
INSTALLATION INSTRUCTIONS

LR100ARK ADAMS RITE ELECTRIC LATCH RETRACTION DEVICE KIT RIM EXIT DEVICE MODELS: 3700 & 8800

*Visit: sdsec.com/adamsrite
for Installation Video

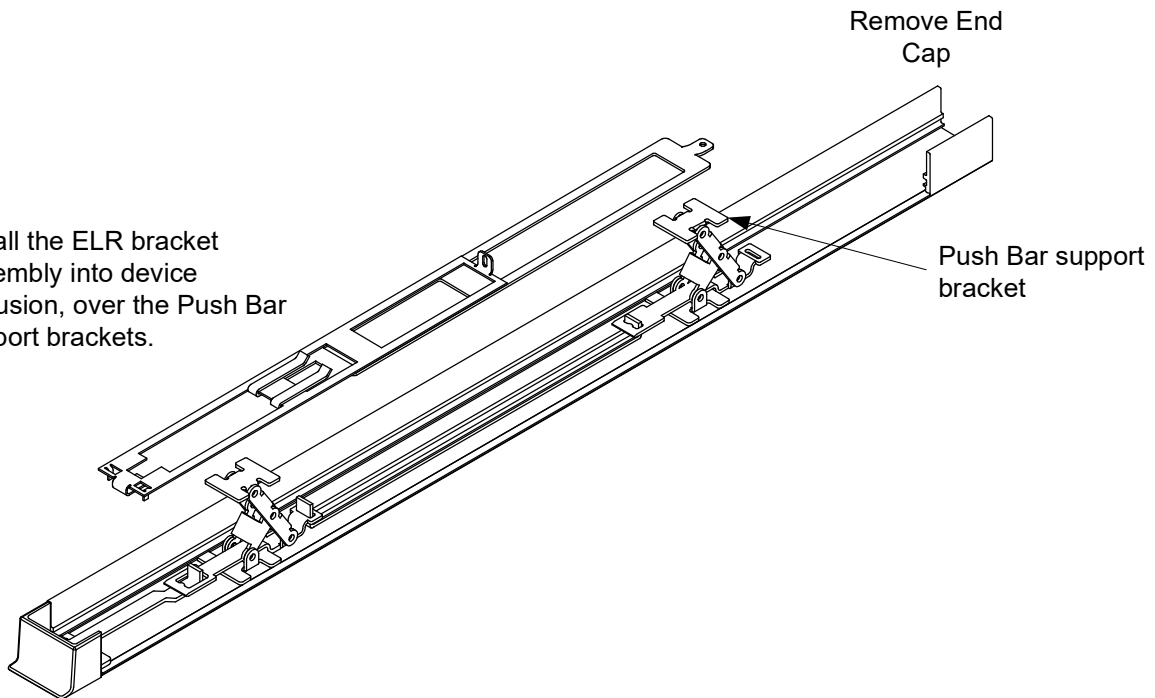
Retrofit Installation Note: 42" or 48" exit devices that have been modified to fit a 36" or smaller opening, may not have the required space to fit the standard E. L. R. assembly. Always verify the distance from the end of the touchpad to the end rail, and if necessary, consult with the factory for appropriate selection.

Assemble brackets as shown for different size Exit Devices.

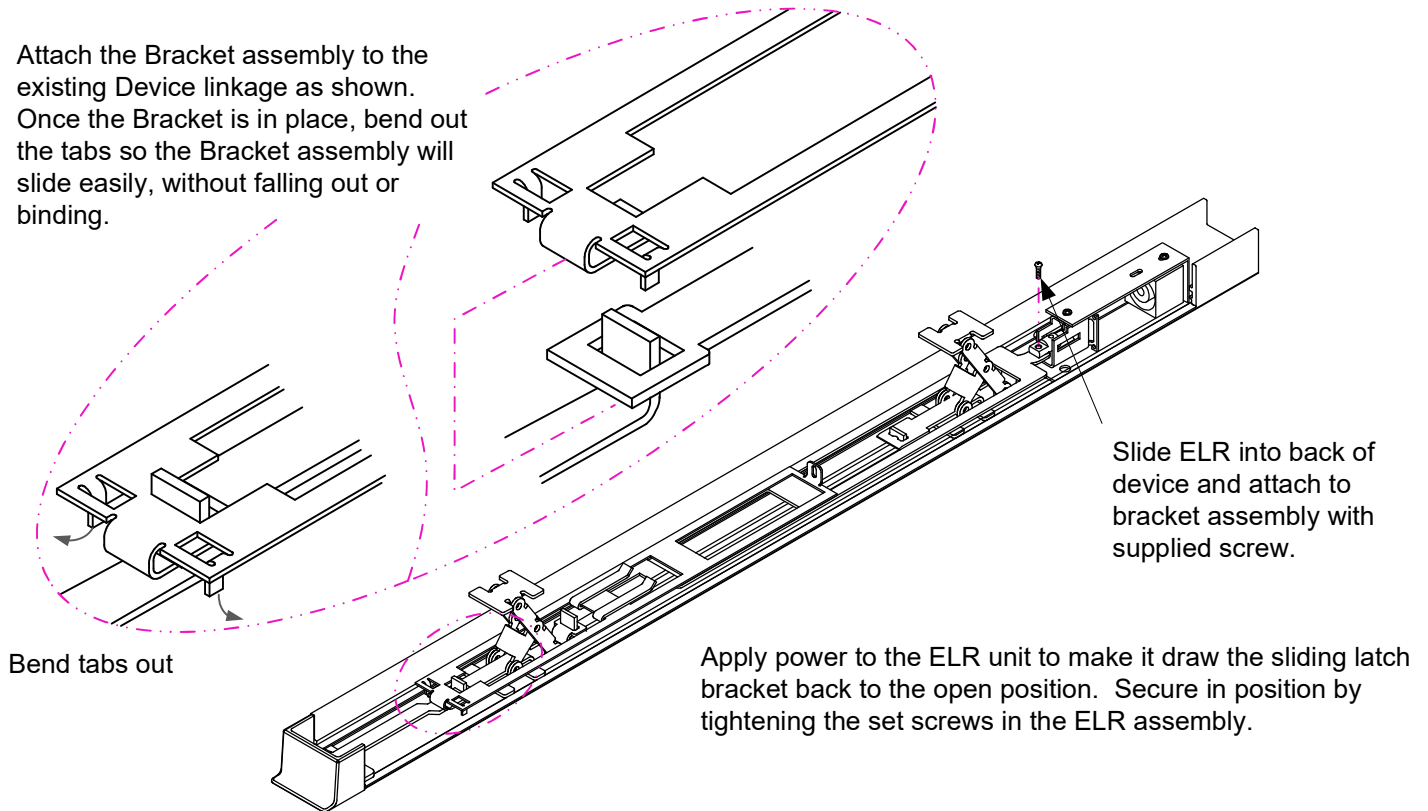


ELECTRICAL DATA
24VDC @ 700/200mA
RED (+) BLK (-)
PATENT #8,851,530

Install the ELR bracket assembly into device extrusion, over the Push Bar support brackets.



Attach the Bracket assembly to the existing Device linkage as shown. Once the Bracket is in place, bend out the tabs so the Bracket assembly will slide easily, without falling out or binding.



Retrofit Installation Note: 42" or 48" exit devices that have been modified to fit a 36" or smaller opening, may not have the required space to fit the standard E. L. R. assembly. Always verify the distance from the end of the touchpad to the end rail, and if necessary, consult with the factory for appropriate selection.