

# 1500 Series™ Electric Strike



Experience a safer  
and more open world

The HES 1500 Series™ electric strike is more than a new heavy duty, low profile solution for latchbolt locks. It accommodates every brand of cylindrical or mortise lock designed to work with a 4-7/8" strike plate.

## *Elegant Form & Function*

- Adjustable integrated shim for changing door conditions
- Field upgradeable options
- Integrated monitoring of latchbolt and/or door position switch

## *Designed with the Installer in Mind*

- Accommodates all brands of mortise and cylindrical locks
- Dual voltage 12/24VDC
- Field selectable fail safe/fail secure

## *Convenient & Versatile*

- Interchangeable accessories work with both models
- Field serviceable components
- All faceplates are interchangeable between the 1500 and 1600



Grade 1



SecuriCare  
Warranty



Mortise Locks  
without  
Deadbolt



Cylindrical  
Locksets



Field Selectable  
(Fail secure  
/Fail safe)



Dual Voltage  
12/24



PoE  
Friendly



Fire Rated



Windstorm  
Resistant



Outdoor  
Rated



Burglary  
Rated

## Features

- Stainless steel construction
- Tamper resistant
- Static strength 1500 lbs
- Dynamic strength 70 ft-lbs
- Endurance 1,000,000 cycles
- Field selectable fail safe/fail secure
- Non-handed
- Interchangeable faceplates and accessories
- Field replaceable components
- Fully finished faceplate, keeper, case and trim
- Field adjustable integrated shim
- Electrolynx® connectors
- Dual voltage 12/ 24 VDC/VAC
- Suitable for Outdoor Use

## Certifications

- ASTM E152 Fire Door Compliant
- ANSI/ASTM E330
- ANSI/BHMA A156.31, Grade 1
- ANSI/SDI 250.13 Windstorm Resistant
- CAL FIRE, 3776-1654:0500
- NFPA-252 fire door Compliant
- RoHS Compliant
- California State Fire Marshal Listed (old)
- Florida Building Code Approved TAS 201, 202, 203 (old)
- Environmental Product Declaration (EPD)
- UL 1034 Burglary-Resistant Listed
- UL 10C Fire-Rated, 1-1/2 Hour Double Door [Fail Secure only]
- UL 10C Fire-Rated, 3 Hour Single Door [Fail Secure Only]
- UL 294 Listed

## Specifications

### Frame Application

- Metal
- Wood

### Electrical

- .24 Amps at 12 VDC/VAC
- .12 Amps at 24 VDC/VAC
- DC continuous duty/AC intermittent duty only

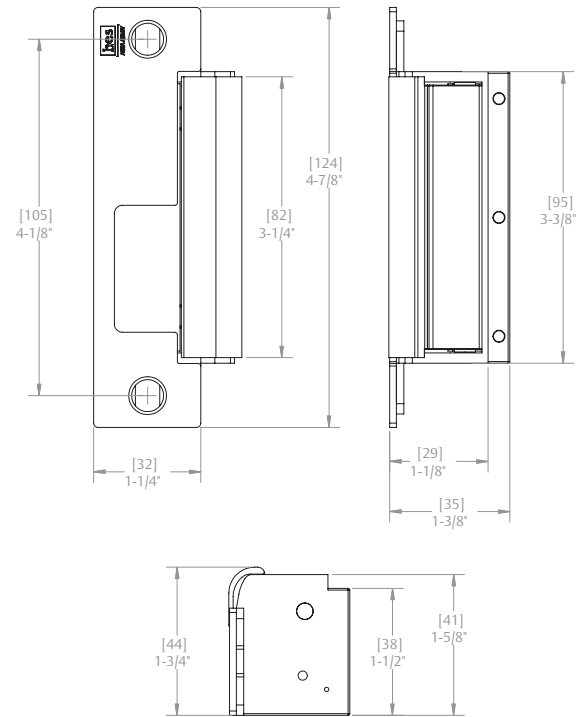
## Options

- LM – Lock monitor
- DLM – Dual lock monitors
- LMS – Lock monitor and strike monitor
- DLMS – Dual lock monitors and strike monitor

## Accessories

- 157 Torx® screws
- HESCUT-MTK Metal Template Kit
- OPT-1SRK Spring Replacement kit
- OPT-1LM Single lock monitor
- OPT-1DLM Dual lock monitors
- MOD-1SOL Solenoid Replacement Module

## Dimensions



## How to Order

SERIES	MODEL	FINISH*	OPTION (S)**
<b>1500</b>	–	– <b>630</b>	– <b>LM</b>
<b>1500</b> Universal Electric Strike; faceplate option kits ordered separately	<b>C*</b> Complete Electric Strike; includes 1LB faceplate kit for latchbolts	<b>605</b> Bright Brass <b>606</b> Satin Brass <b>612</b> Satin Bronze <b>613</b> Bronze Toned <b>613E</b> Dark Oxidized Satin Bronze Powder <b>629</b> Bright Stainless Steel <b>630</b> Satin Stainless Steel <b>BSP</b> Black Suede Powder	<b>(blank)</b> No Monitor <b>LM</b> Lock Monitor <b>DLM</b> Dual Lock Monitor <b>LMS</b> Lock Monitor and Strike Monitor <b>DLMS</b> Dual Lock Monitors and Strike Monitor

\*Complete Pacs are only available in the 630 finish \*\*LMS/DLMS factory installed only option.



800 626 7590 | hesinnovations.com  
 10027 S. 51<sup>st</sup> Street, Ste. 102  
 Phoenix, AZ 85044 USA

Printed in the U.S.A. Patent pending and/or patent [www.assaabloydss.com/patents](http://www.assaabloydss.com/patents)  
 Copyright © 2022, Hanchett Entry Systems, Inc., an ASSA ABLOY Group company.  
 All rights reserved. Reproduction in whole or in part without the express written permission of Hanchett Entry Systems, Inc. is prohibited. HES-111-1022