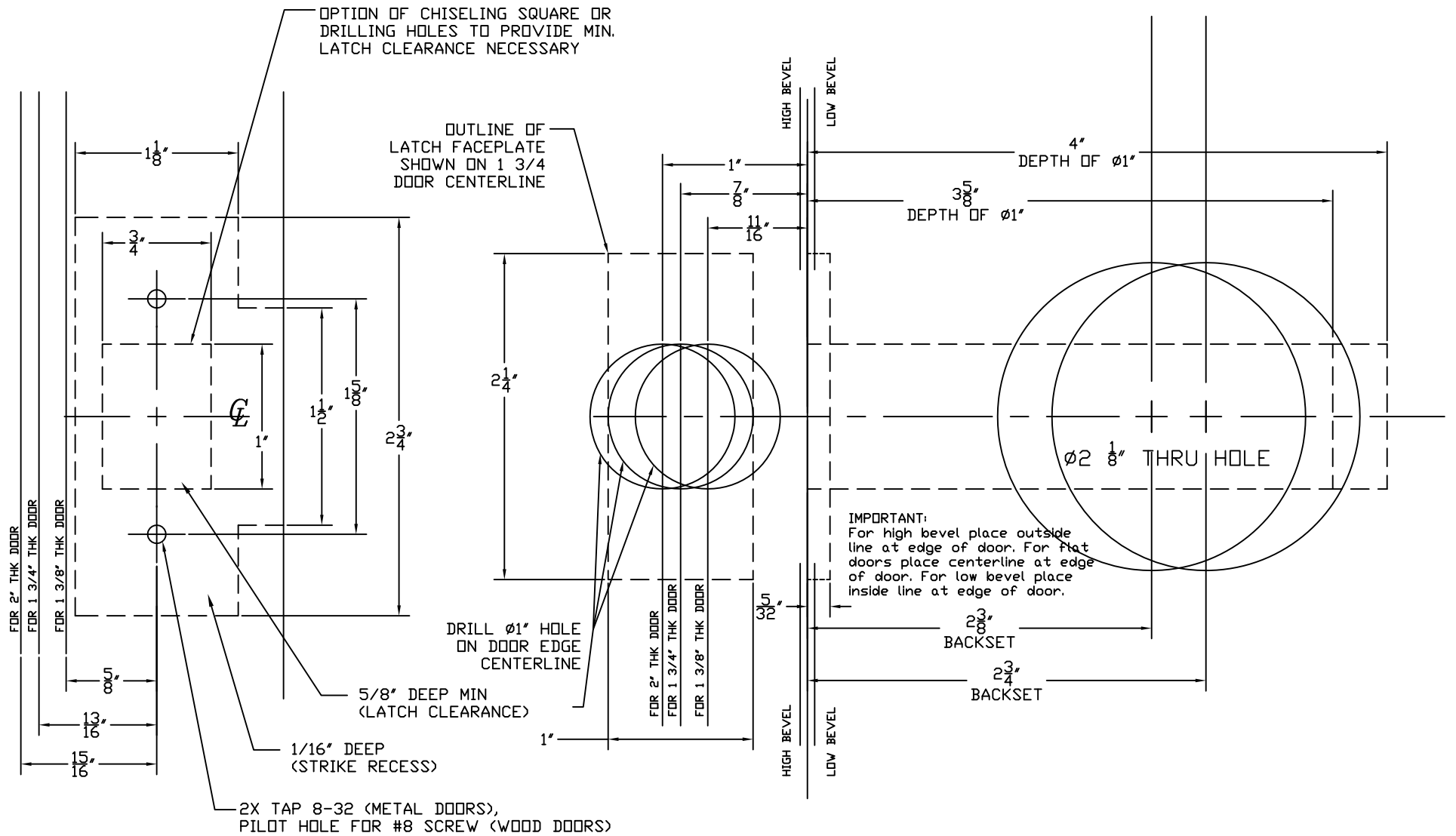


TOWNSTEEL TUBULAR LOCK TEMPLATE



STANDARD ANSI 161 PREP WITH
1" X 2 1/4" FACE PLATE