

# ***EEZ READER***<sup>®</sup>

## **Y 154**

### **Chrysler Single and Double-Sided Lock**

This tool will read all North American Chrysler locks starting with the single-sided system found in the 1989 Spirit and Acclaim models. In 1990 the double-sided system was introduced into the Chrysler line. The *EEZ Reader*<sup>®</sup> Y154 will read all the locks except the 1993 trunk lock.

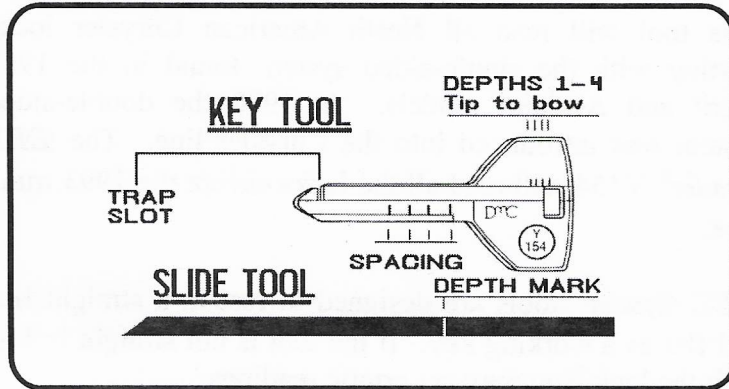
*EEZ Reader*<sup>®</sup> tools are designed to rest in a straight line and flat as a working key. If the tool is not straight in line with the lock, you may get erratic readings.

Insert the tool in per instructions and trap the last wafer. The space lines on the blade are 2 wafer stations or key cuts apart. Note the position at the face of the lock to the space marks.

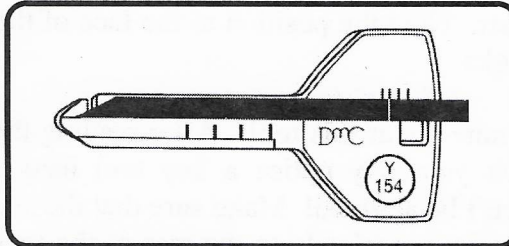
A note about this tool: After reading the last wafer in the lock you may notice a key tool hang-up on this wafer. Don't be alarmed! Make sure that the slide tool is all of the way in, completely to the rear of the lock. To go one step further, hold inward pressure on the slide tool while adjusting the key tool outward one wafer space. Then you can proceed with the rest of the wafers.

**INSTRUCTIONS**

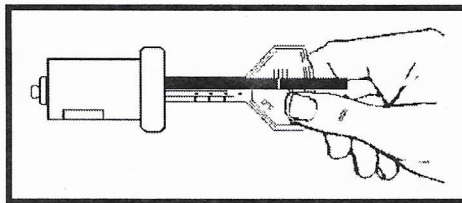
1. Prepare the lock by flushing the lock with a degreaser. Exercise the wafers by inserting blank in and out of lock several times.



2. Put your *EEZ Reader*<sup>®</sup> together, slide the tool into the rear of the lock and trap the last wafer. Insert the tool in per instructions and trap the last wafer. The space lines on the blade are 2 wafer stations or key cuts apart. Note the position at the face of the lock to the space marks.



3. Apply and hold moderate inward pressure on the key tool.





<b>Chrysler Double Sided 1993-1995</b>							
<i>Spaces Bow to Tip &gt;&gt;</i>	<b>1</b>	<b>2</b>	<b>3</b>	<b>4</b>	<b>5</b>	<b>6</b>	<b>7</b>
Ignition – First 6 Cuts							
Trap Slot Up							
Trap Slot Down							
Door – First 5 Cuts							
Trap Slot Up							
Trap Slot Down							
Trunk – Last 5 Cuts							
Trap Slot Up							
Trap Slot Down							

**Key Blanks**

<b>ILCO</b>	<b>STRATEC</b>
Y154	Plastic #594145
Y154-P	Metal #321000
Y155	Plastic #595895
Y155-P	

<u>Spacing</u>	<u>Depths</u>
1 -- .757	1 -- .340
2 -- .651	2 -- .315
3 -- .573	3 -- .290
4 -- .481	4 -- .265
5 -- .389	
6 -- .297	
7 -- .205	

**EEZ READER®**

Invented and Manufactured by

*T. Doyle Mc Connell*

**T. Doyle Mc Connell, Retired Locksmith  
With Support of the Grant Family  
Portland, Oregon**

U.S. Pat. No. 4,680,870

Canadian Pat. No. 1,278,930