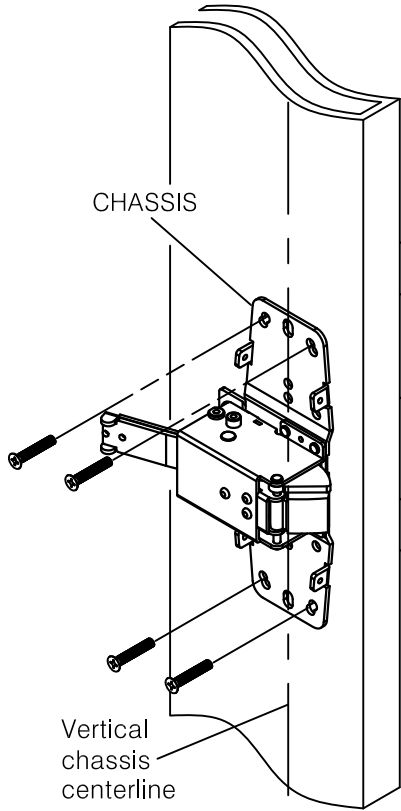
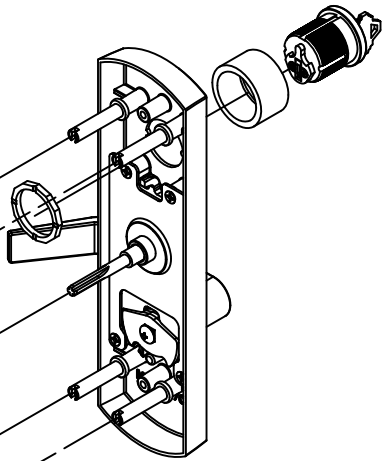
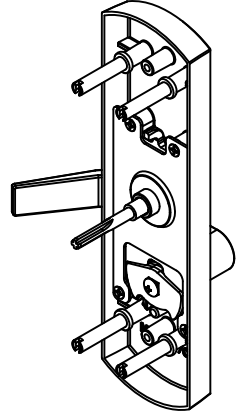
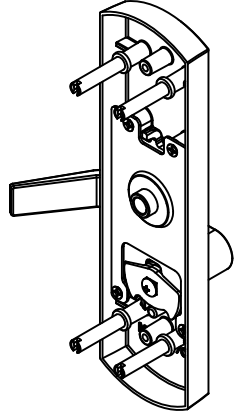
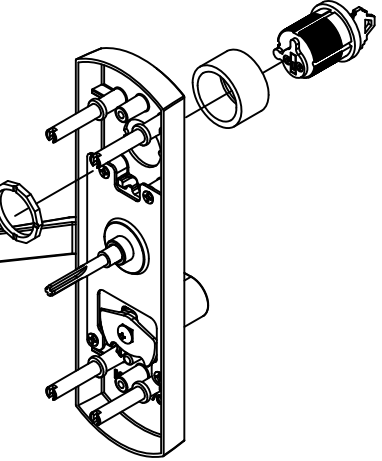




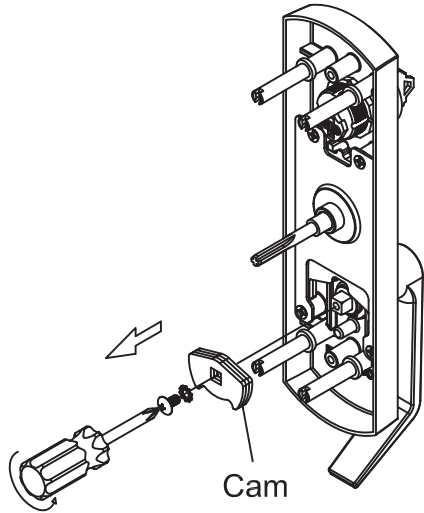
# INSTRUCTIONS FOR ED5500E TRIM FOR ED5500/5600 SERIES EXIT DEVICE



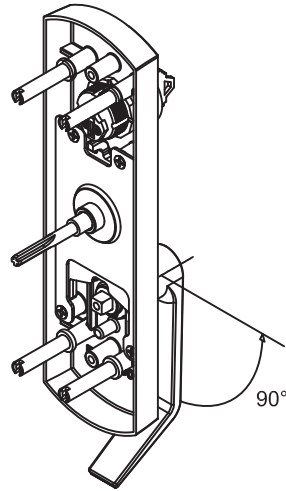
ED5500E-08	ED5500E-14	ED5500E-02	ED5500E-09
 <p>Lockable lever trim Key locks and unlocks lever</p>	 <p>No cylinder Trim always operable</p>	 <p>Pull when push bar dogged</p>	 <p>Key retracts latchbolt</p>
<p><b>08 function Entrance</b></p>	<p><b>14 function Passage</b></p>	<p><b>02 function Dummy</b></p>	<p><b>09 function Storeroom</b></p>
<p>Install cylinder and cylinder collar onto escutcheon. Mount escutcheon to door. Make sure spindle align to the hub.</p>	<p>Mount escutcheon to door. Make sure spindle align to the hub.</p>	<p>Mount escutcheon to door</p>	<p>Install cylinder and cylinder collar onto escutcheon. Mount escutcheon to door. Make sure spindle align to the hub.</p>

# ED5500E Lever Trim For ED5500/5600 Series Exit Device Handing Change Instruction (LHR & RHR)

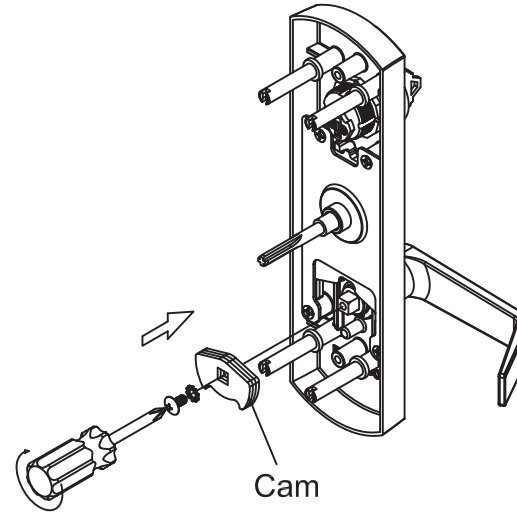
**1.Remove cam piece**



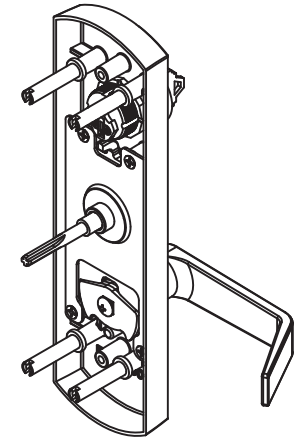
**2.Rotate lever to LHR positioned at 90°**



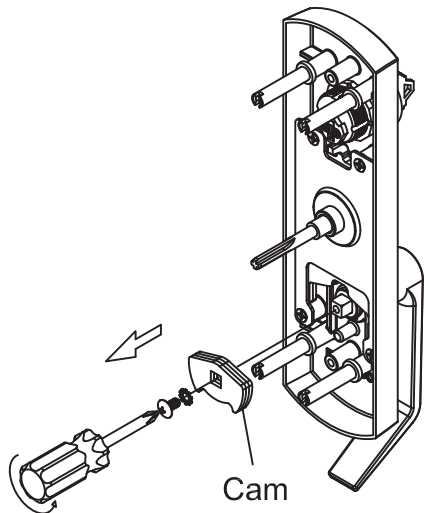
**3.Place and fasten cam piece**



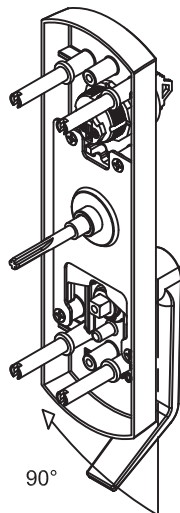
**4.Done**



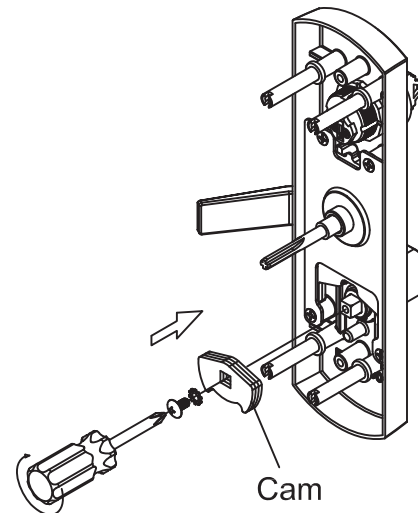
**1.Remove cam piece**



**2.Rotate lever to RHR positioned at 90°**



**3.Place and fasten cam piece**



**4.Done**

