



Detex Corporation, 302 Detex Drive, New Braunfels, Texas 78130-3045
(830)629-2900 / 1-800-729-3839 / Fax 1-800-653-3839 / Text: 1-830-481-6433 / INTERNET: www.detex.com

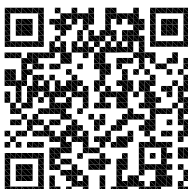
INSTALLATION INSTRUCTIONS FOR ECL-230X & H-ECL-230X HURRICANE DEVICES

Drawing: 103600

Table of Contents	Page
Device parts breakdown view.....	2
Device parts breakdown list with part numbers.....	3
Hardware List with part numbers & tools required.....	4
Device applications.....	5
Door condition check.....	6
Use template to locate strike and backplate.....	7
Drill strike and backplate holes, install backplate,.....	8
Install Inside Pull Kit (if ordered).....	8
Outside Key Control (OKC) installation (if ordered).....	9
Outside Pull plate or Trim plate (if ordered).....	10
Install Device.....	11
Install Rim cylinder & sign.....	12
Install Deadbolt strike (if ordered).....	13
2 point and 3 point installation (Top) mark locations.....	14
2 point or 3 point installation (Bottom) mark locations....	15
Top strike & top bolt installation.....	16
Bottom strike & bottom bolt installation.....	17
Top & bottom cover and rod guide installation.....	18
Deadbolt & top bolt installation (TD).....	19
Install battery & cover.....	19
Double door strike installation.....	20
Troubleshooting, Testing & Adjustment.....	21
Cutting top rod (for non standard doors).....	22
Optional Accessories.....	22
Template for outside trim.....	23

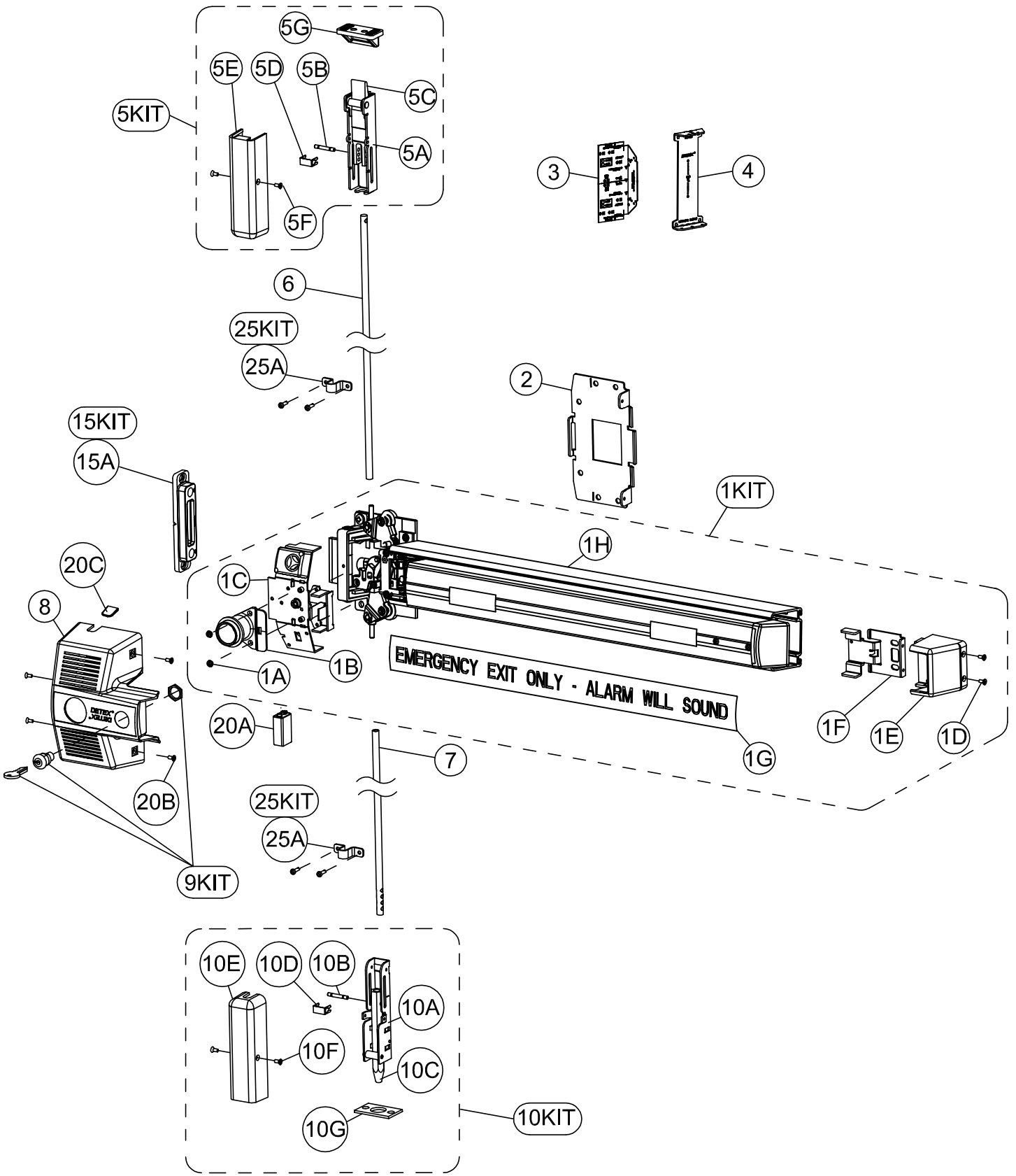
Should you have a Question/Problem with your Detex device please call Detex Technical Support from the job site at 1-800-729-3839 and choose option 2 on our menu. Please do not return the product to the distributor.

For WARRANTY information,
scan code below or
go to www.detex.com/warranty



For device installation videos,
scan code below or
go to www.detex.com/videos

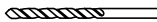
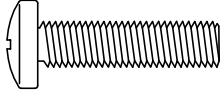
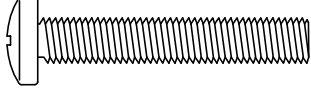
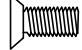
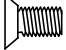
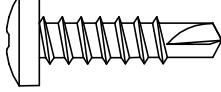
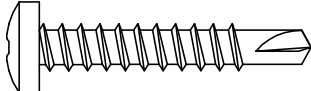
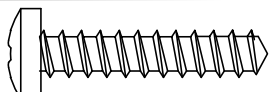






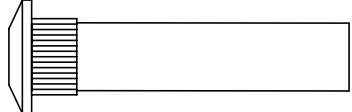
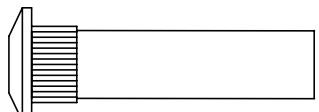


Your particular part or configuration may not be shown: contact Detex technical support at 1-800-729-3839 (option 2).

PARTS BREAKDOWN			PARTS BREAKDOWN		
Item	Order Part #	Description	Item	Order Part #	Description
1KIT	105431-1	S&R ECL-230X core assy, single point (includes items 1A-1H)	6	103674	Top rod (84")
	105431-2	S&R ECL-230X core assy, TDB, TD (includes items 1A-1H)		103073-2	Top rod assy (96")
	105431-3	S&R ECL-230X core assy, H (includes items 1A-1H)		103073-3	Top rod assy (120")
	105431-4	S&R ECL-230X core assy, TDB, H (includes items 1A-1H)	7	103544	Bottom rod
	105431-5	S&R ECL-230X core assy, 30" single point (includes items 1A-1H)		105435-1	Cover assy, TDB/TD
	105431-6	S&R ECL-230X core assy, 30" TDB (includes items 1A-1H)		105435-2	Cover assy, single point
		105435-3		Cover assy, TDB/TD, weatherized	
		105435-4	Cover assy, single point, weatherized		
		105435-5	Cover assy, TDB/TD, hurricane		
		105435-6	Cover assy, single point, hurricane		
1A	103699-104	Screw 8-32 x 1/4 cone	9KIT	PP-5572	Lockset w/2 keys (includes 9A) (select key number 11-20)
1B	103629	IKC cylinder housing	9A	ECL-405	Key (select key number 11-20)
1C	103650-1	Siren bracket assy	10KIT	103692-1	Bottom bolt assy (includes items 10A-10G)
	103650-2	Siren bracket assy, weatherized		103692-2	Bottom bolt assy, weatherized (includes items 10A-10G)
1D	PP-5377-106	Screw 8-32 x 3/8 FH	10A	103555	Bottom bolt bracket subassy
	101950-505	Screw 8-32 x 5/16 FH, weatherized	10B	103533	Bolt pin
1E	103641-1	Endcap cover	10C	103536-1	Bottom bolt
1F	103625	Endcap bracket	10D	103551	Bolt clip
1G	103647-1	Pushpad sign, 230X, english, red, std	10E	103652-1	Top/bottom cover
	103647-13	Pushpad sign, 230X, english, red, 30"	10F	100156-104	Screw 8-32 x 1/4 FH
1H	105432-1	S&R, ECL-230X Internal Pushpad Assy, single point		101950-505	Screw 8-32 x 5/16 FH, weatherized
	105432-2	S&R, ECL-230X Internal Pushpad Assy, TDB/TD	10G	103546	Bottom strike plate
	105432-3	S&R, ECL-230X Internal Pushpad Assy, H		103660	Strike kit, standard (includes item 15A)
	105432-4	S&R, ECL-230X Internal Pushpad Assy, TDB, H	15KIT	103660-1	Strike kit, high strength (includes item 15A)
2	103632	Back-plate	15A	103614	Strike
3	103643	Lockbody main template	20KIT	103640	Hardware kit, single point (not shown) (includes items 20A-20C)
4	103687	Top & Bottom latch template		103640-4	Hardware kit, three point, std & hurricane (not shown) (includes items 20A-20C)
5KIT	103693-1	Top bolt assy, standard (includes items 5A-5G)		103640-6	Hardware kit, single point, hurricane (not shown) (includes items 20A-20C)
	103693-2	Top bolt assy, weatherized (includes items 5A-5G)		103640-10	Hardware kit, single point, weatherized (not shown) (includes items 20A-20C)
5A	103691	Top bolt bracket		103640-14	Hardware kit, three point, weatherized (not shown) (includes items 20A-20C)
5B	103533	Bolt pin	20A	PP-5567	9V Battery
5C	103639	Top bolt	20B	PP-5377-106	Screw, mach, 8-32 x 3/8" PFH
5D	103551	Bolt clip	20C	103645	Rod cover cap
5E	103652-1	Top/bottom cover		104073-1	Rod guide kit one (not shown) (includes 25A)
5F	100156-104	Screw 8-32 x 1/4 FH	25KIT	104073-2	Rod guide kit two (not shown) (includes 25A)
	101950-505	Screw 8-32 x 5/16 FH, weatherized		104073-3	Rod guide kit three (not shown) (includes 25A)
5G	103634	Top strike		25A	103534

Hardware Table for BASIC device mounting.
Additional hardware is provided per the device configuration in kit form and is addressed on the appropriate pages as required

Machine Screws	Fastener Part No	Drill Bit 
	P/N: 100980 1/4-20 x 1" PPH	#7 or 13/64"
	P/N: 100954 1/4-20 x 1-1/2" PPH	#7 or 13/64"
 	P/N: PP-5377-106 OR P/N: 101950-505 8-32 x 3/8" PFH OR 8-32 x 5/16" PFH	-----
Self-drilling Screws / Wood Screws		
	P/N: 103276-63 #14 x 1" PPH	1/8 pilot hole recommended for self-drilling screws
	P/N: 103276-65 #14 x 1-1/2" PPH	1/8 pilot hole recommended for self-drilling screws
	P/N: 103993-1 #14 x 1-1/4" SMS PPH	

Socket Head Cap Screws (High strength bolts for TDB configurations)
 Recommend using socket head cap screws with sex nuts.
HURRICANE: Sex nuts and socket head cap screws **MUST** be used with HURRICANE devices.

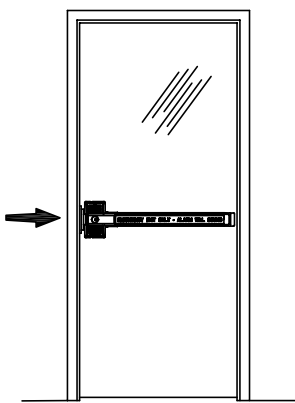
	P/N: 105773-7 1/4-20 x 1" 3/16 Socket HD	#7 or 13/64" for threaded hole or 9/32" for use with sex bolts
	P/N: 105773-9 1/4-20 x 1-1/2" 3/16 Socket HD	#7 or 13/64" for threaded hole or 9/32" for use with sex bolts
	Part No: 105209 (6 ea per kit) (1/4-20 x 1-3/4")	1/2 Exterior door face (With Trim) 3/8 Exterior door face (Without Trim)
	Sex Nut 1/4-20 SS Catalog No: SN1-630 (2 ea per kit) (1/4-20 x 1-9/16")	1/2 Exterior door face (With Trim) 3/8 Exterior door face (Without Trim)
	P/N: PP-5067-25 #14 Lockwasher	
	P/N: PP-5066-12 #12 Lockwasher	

Tools Required:

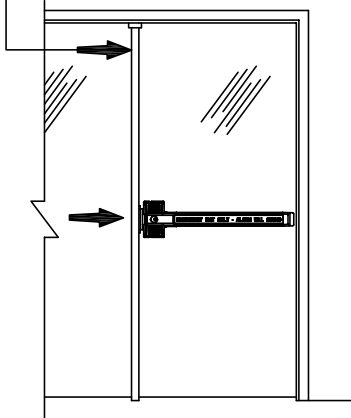
- | | | | |
|--------------------|----------------|--------------|----------------------------------|
| Power Drill | Safety Glasses | Tape Measure | 3 /16" & 5 /32" Allen Wrenches |
| Level | Pencil | Center Punch | #2 and #3 Phillips Screw Drivers |
| Combination Square | | | |

Mullions:
 Key Removable - 90KR
 Removable - H90R
 (Approved for hurricane Installations)

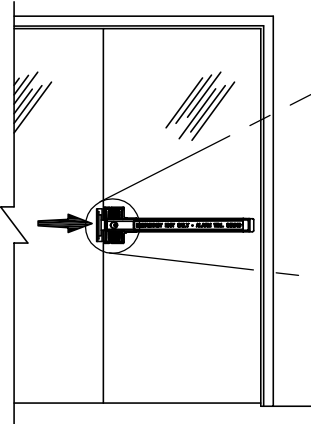
SINGLE point



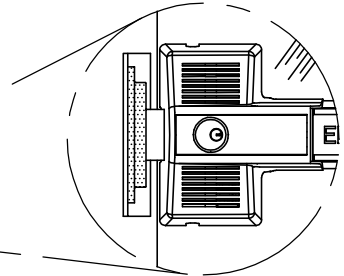
Deadbolt



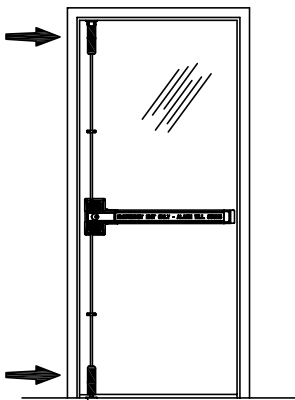
Deadbolt & Mullion



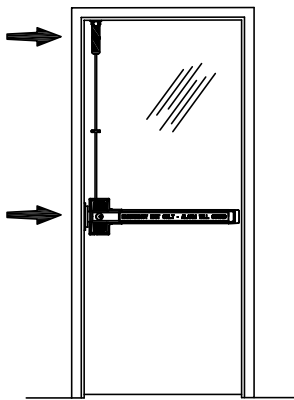
Deadbolt & Double Door Strike Kit (p/n: DDSK)



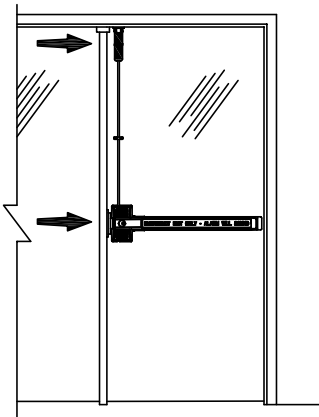
2 point



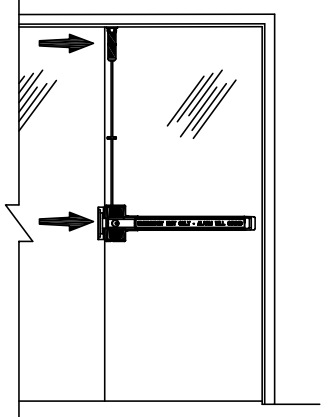
(TB) Top & Bottom Bolt



(TD) Deadbolt & Top Bolt

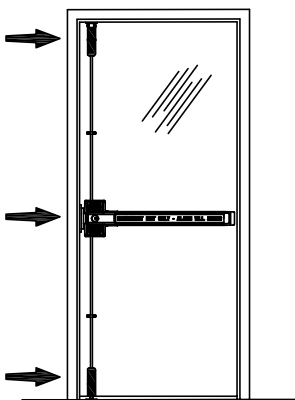


(TD) Deadbolt/Top Bolt & Mullion

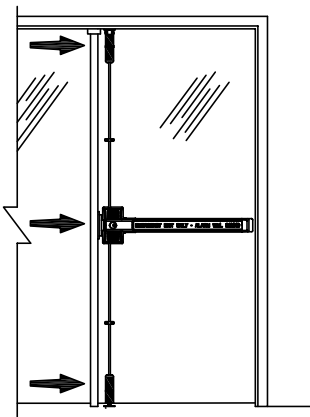


(TD) Deadbolt/Top Bolt & Double Door Strike Kit

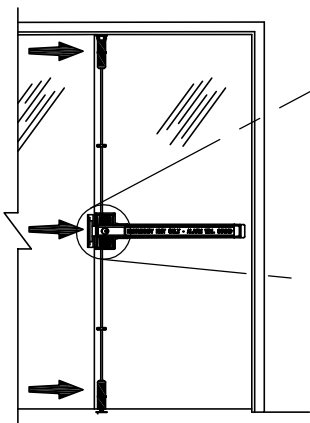
3 point



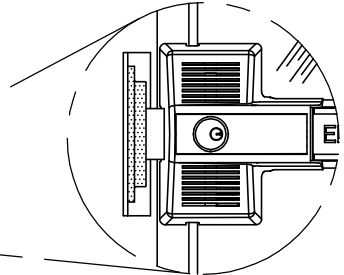
(TDB) Deadbolt, Top & Bottom Bolt



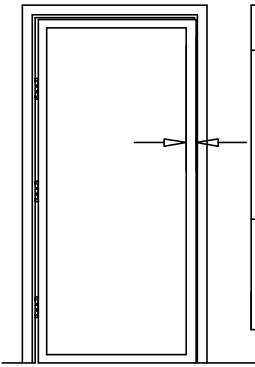
(TDB) Deadbolt, Top & Bottom Bolt, & Mullion



(TDB) Deadbolt, Top & Bottom Bolt, & Double Door Strike Kit



!!!CHECK BEFORE STARTING!!!



Wide Stile (Surface Strike)

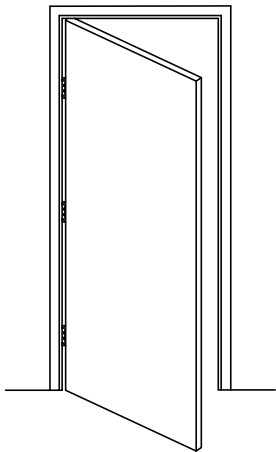
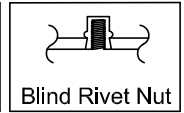
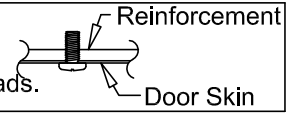
Minimum door stile 6" (152 mm).
Template drawings provide door and frame structural and dimensional specifications for door and frame preparation.

Surface strike possible.
Mortise strike recommended.

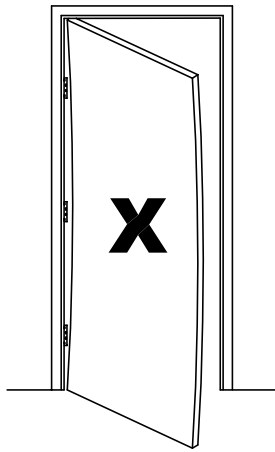
Doors and frames with walls having a structural thickness (metal skin plus reinforcement, or solid wood) to engage less than (3) full screw threads, are considered unreinforced for hardware.

Unreinforced Doors: Use Sex Nuts and Bolts.
Unreinforced Frames: Use Blind Rivet Nuts (see sketch).
Fasteners for unreinforced openings are not supplied by Detex.

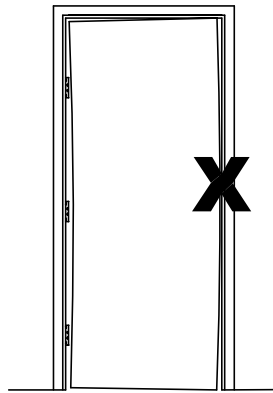
Reinforced door or frame engages at least (3) screw threads.



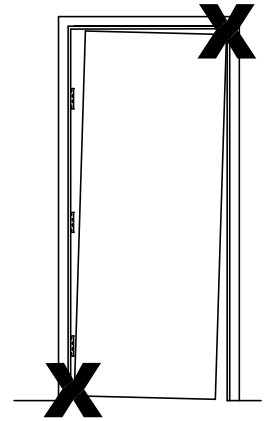
Door Must Swing Freely



Door Must Not be Warped

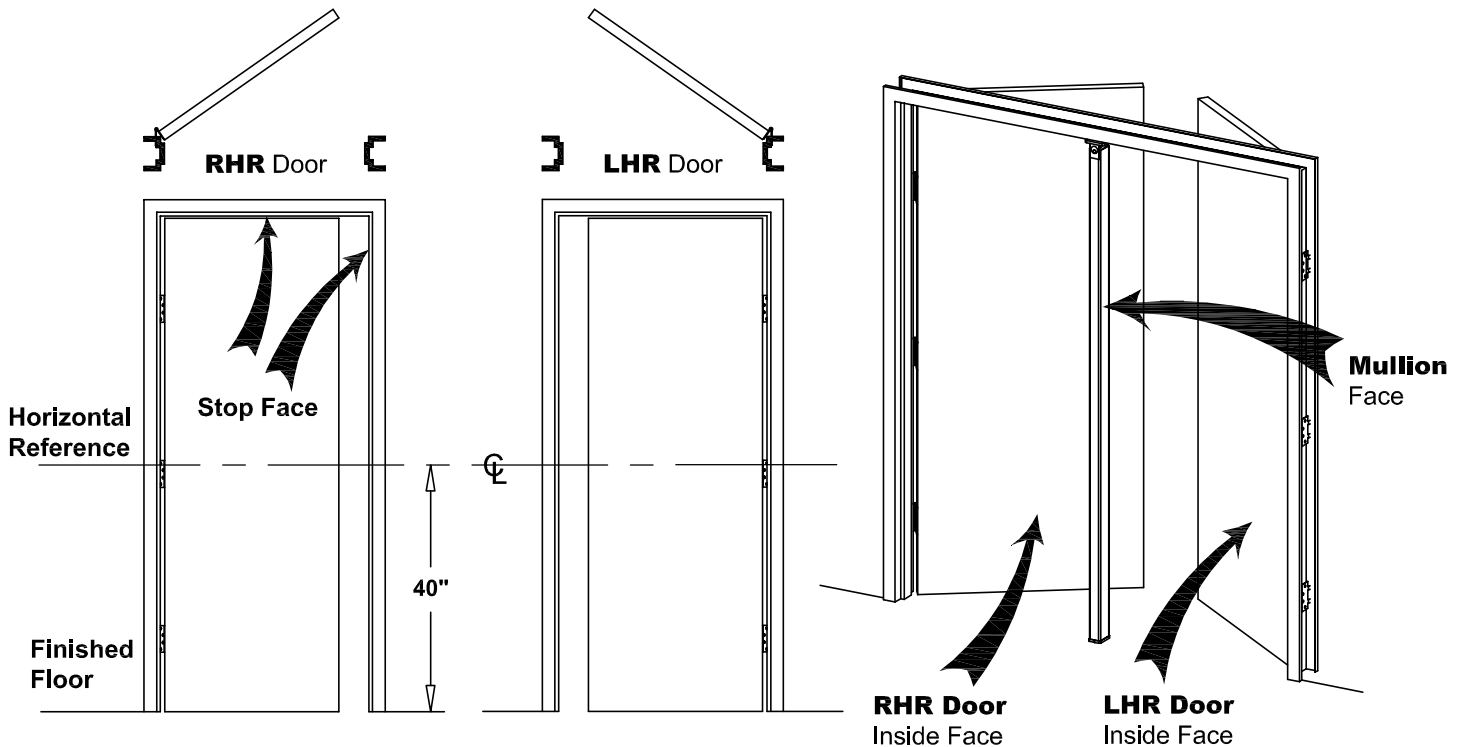


Door Must Not Bind

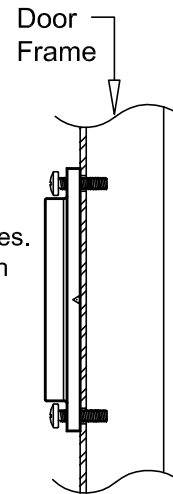
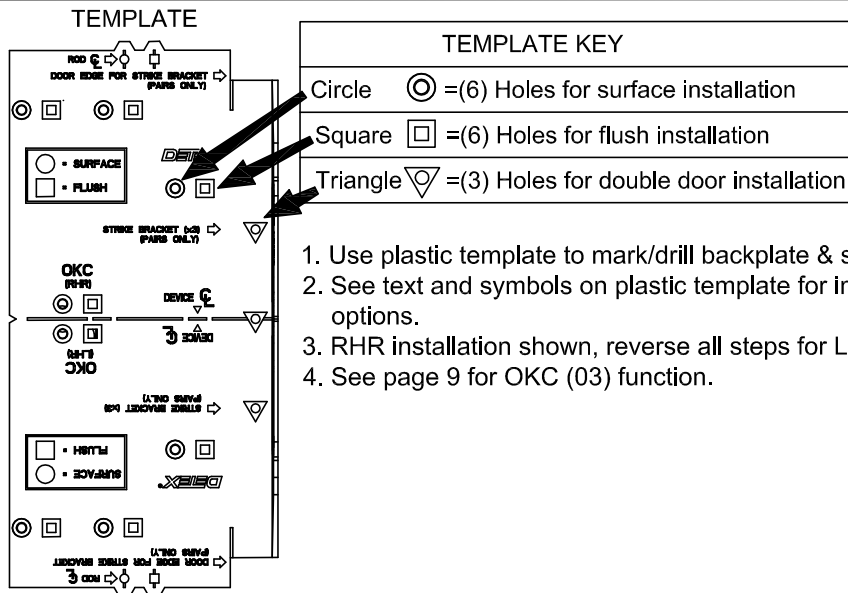


Door Must Not Sag

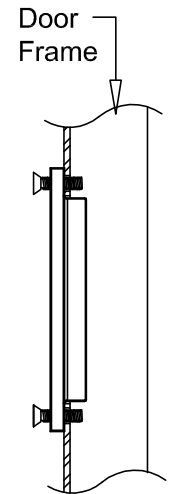
NO MODIFICATION OF ANY KIND, OTHER THAN THOSE DESCRIBED IN THESE INSTRUCTIONS ARE PERMITTED.



STEP 1: Use template to locate backplate and strike



SURFACE INSTALLATION

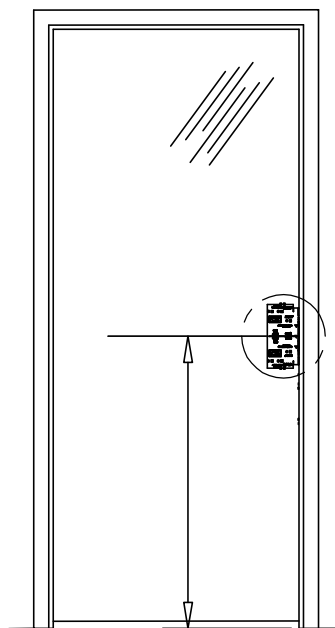
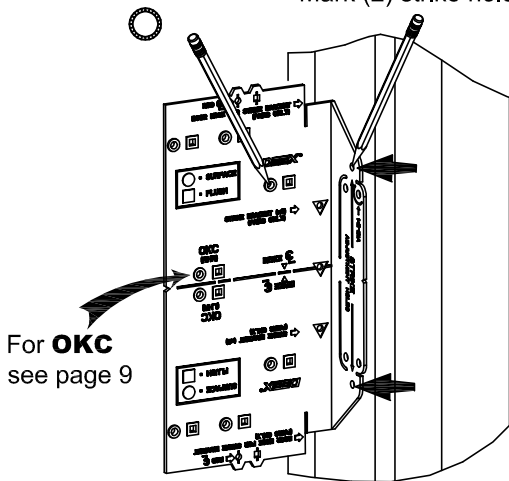


FLUSH INSTALLATION

SURFACE INSTALLATION

Mark (6) back-plate mounting holes
(Mark circles)

Mark (2) strike holes

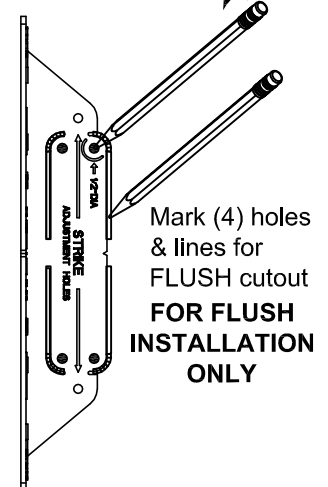
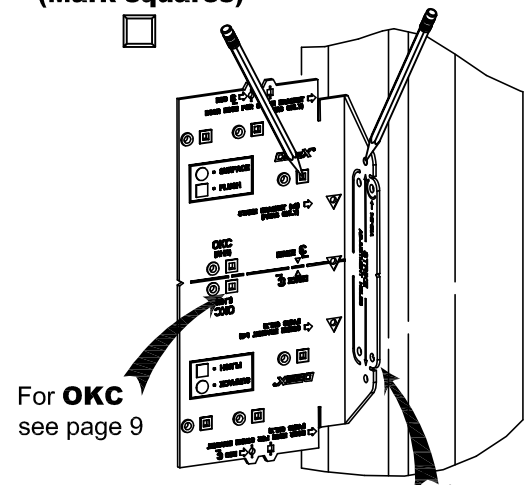


Mark centerline for device
40" from finished floor

FLUSH INSTALLATION

Mark (6) back-plate mounting holes
(Mark squares)

Mark (2) strike holes



STEP 2: Drill backplate and strike holes

SURFACE & FLUSH INSTALLATIONS

BACK-PLATE HOLES

6 places for 1/4-20 machine screws (#7 or 13/64")

OR

#14 self-drilling screws (1/8 pilot hole)

OR

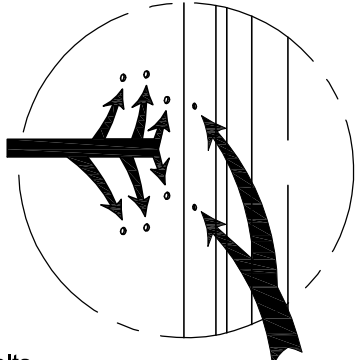
1/4-20 machine screws used with sex bolts (9/32")

NOTE: Sex nuts & socket head cap screws MUST be used with HURRICANE devices.

See OUTSIDE KEY CONTROL (page 9) for transferring hole locations from DEVICE side to TRIM side.

OR

See OUTSIDE KEY CONTROL INSTALLATION for TRIM option



STRIKE HOLES

2 places for 1/4-20 machine screws (#7 or 13/64")

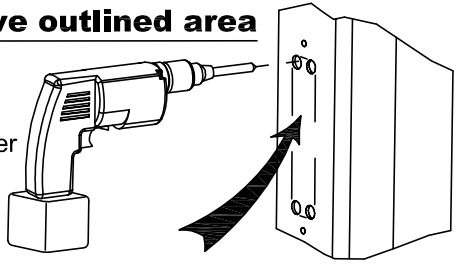
OR

#14 self-drilling screws (1/8 pilot hole)

FOR FLUSH INSTALLATION ONLY

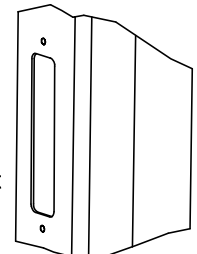
Remove outlined area

Drill (4) 1/2" diameter holes



Drill 4 marked locations & remove marked rectangular area

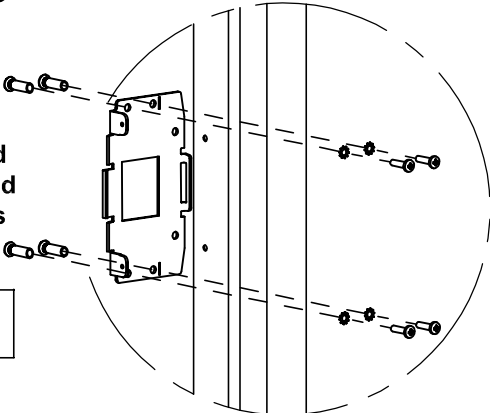
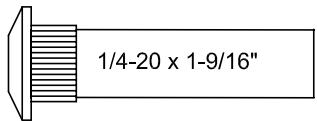
Finished FLUSH cutout



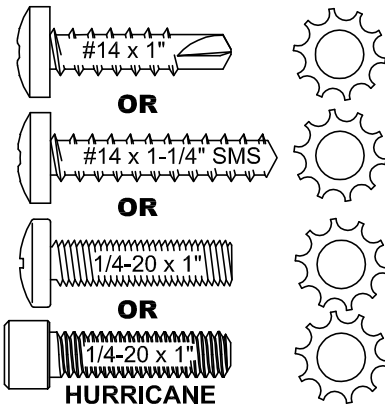
STEP 3: Install back-plate

See OKC steps, pg 9

Sex nuts and socket head cap screws **MUST** be used with HURRICANE devices



Install with (4) lockwashers & screws or screws & sex bolts



STOP: IF PULL OR TRIM NOT ORDERED, CONTINUE ON TO STEP 4.

Inside PULL, OKC, PULL or TRIM PLATE must be installed before installing device.

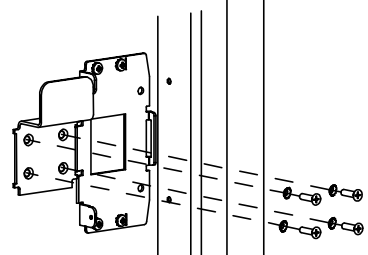
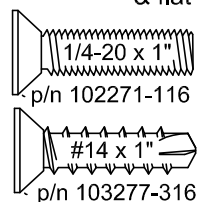
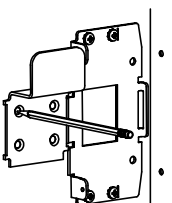
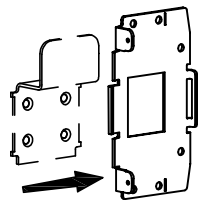
1. Inside Pull.....pg 8 (below)
2. Outside Key Control...pg 9
3. Pull and Trim Plate.....pg 10

INSIDE PULL KIT (IP KIT) (OPTIONAL) (must be installed before installing device)

ALIGN pull with back-plate tab.

MARK and DRILL holes.

INSTALL pull with (4) countersink washers & flat head screws

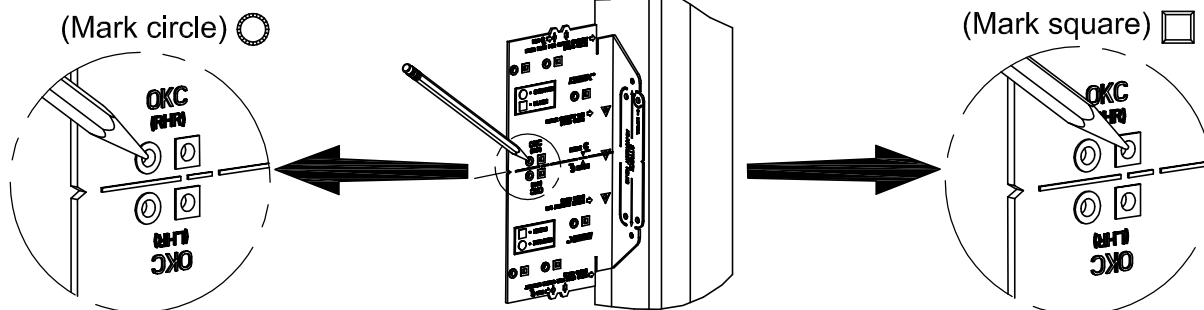


Outside Key Control Installation, if required

SURFACE INSTALLATION

DEVICE SIDE

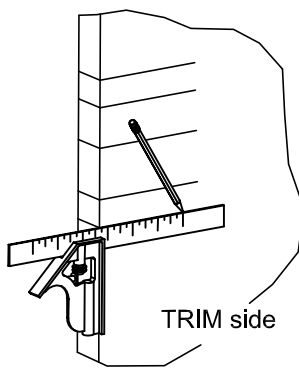
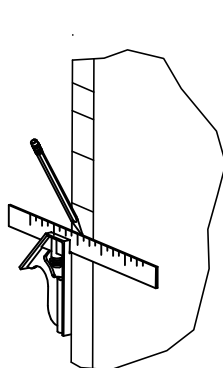
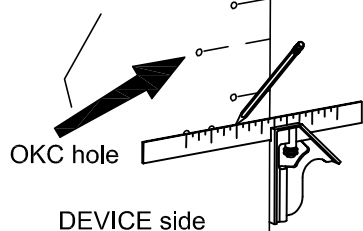
FLUSH INSTALLATION



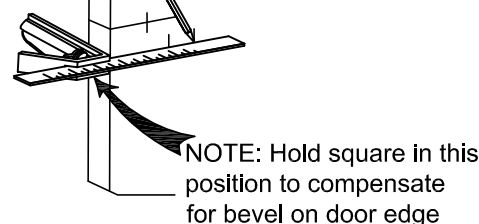
Align template with device centerline and mark/drill appropriate OKC hole through door (RHR Shown)

Transfer hole locations from DEVICE side to TRIM side

Draw horizontal lines from DEVICE side toward TRIM side of door



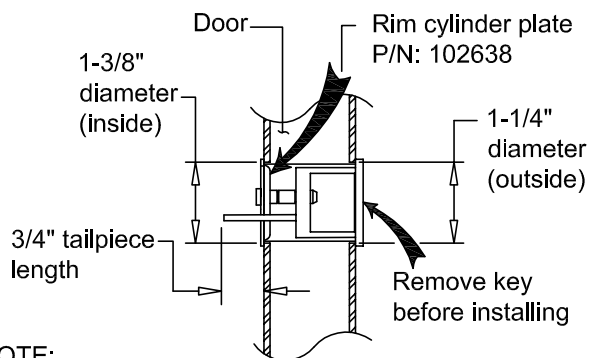
Measure hole locations from DEVICE side and measure/mark same hole locations on TRIM side of door



See pg 21 for outside Trim TEMPLATE

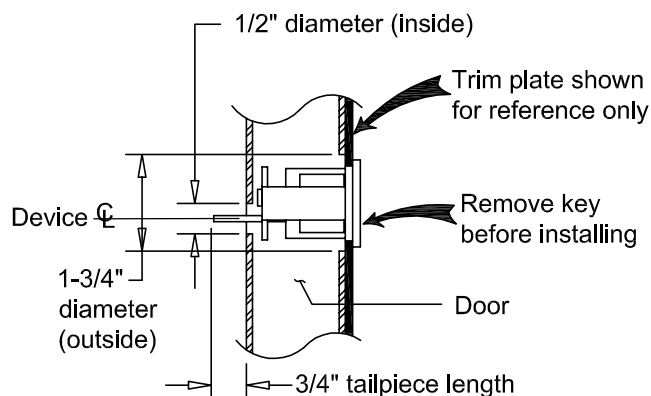
OKC option shown

TRIM PLATE option shown



NOTE:

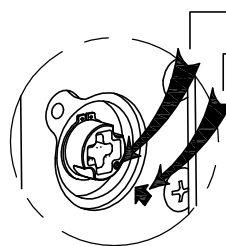
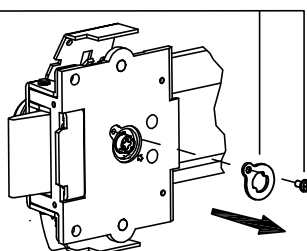
1. Rim Cylinder not included
2. Collar available: P/N: ECL-1595



Remove OKC lockplate on device only if OKC is being installed

REQUIRED!

Remove screw and lockplate on back of center-case for OKC



REQUIRED!

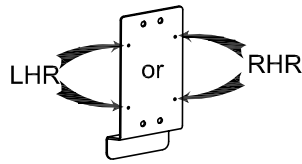
Align timing mark on OKC cam to arrow on lockbody

PULL PLATE and TRIM PLATE OUTSIDE INSTALLATION

① **DRILL** (2) 3/8" holes through plate at indentations for HURRICANE INSTALLATIONS.

These holes are also recommended on Fire Rated Wood and Unreinforced Hollow Metal Doors.

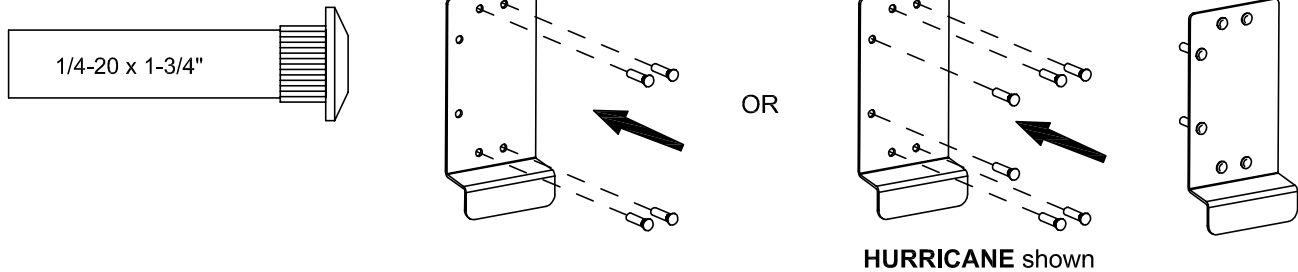
DRILL holes for HURRICANE



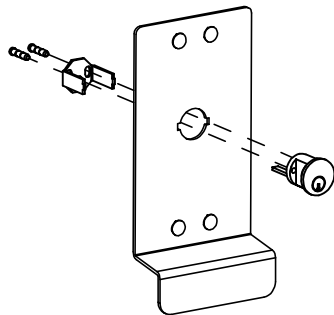
Sex Nut p/n: 105209
(6 ea per kit)

PREP door for SEX NUTS:
DRILL 9/32" hole through INTERIOR door face.
DRILL 1/2" hole through EXTERIOR door face.

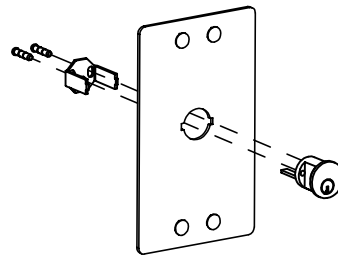
② **PRESS** sex nuts into PULL or TRIM PLATE
(Pull plate shown)



Cylinder collars can be used where needed

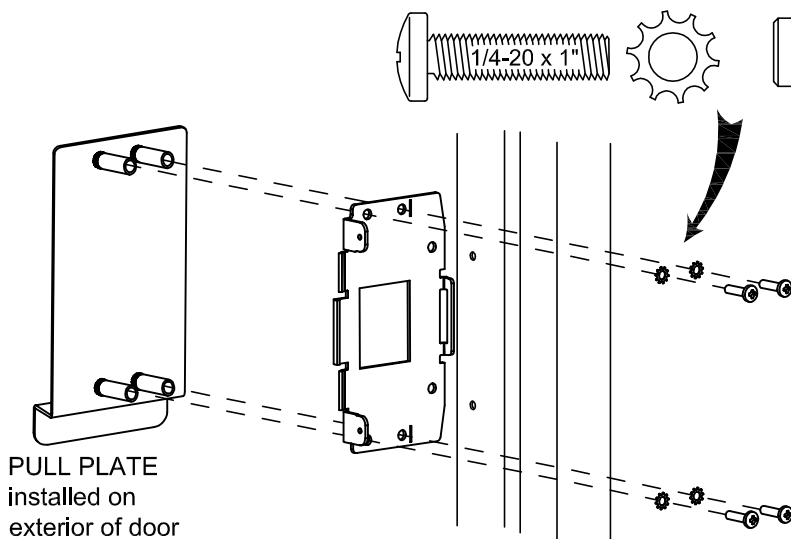


PULL PLATE shown with cylinder option



TRIM PLATE shown with cylinder option

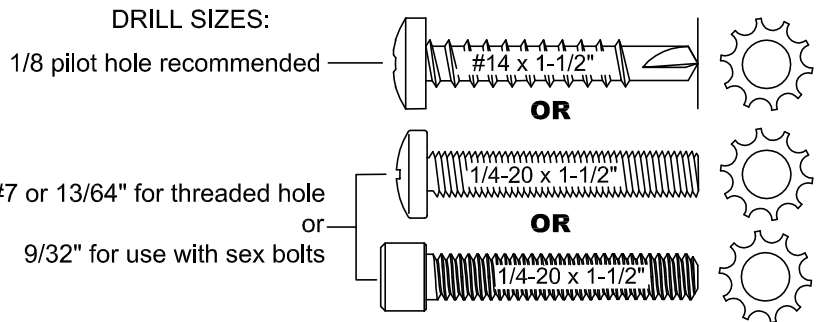
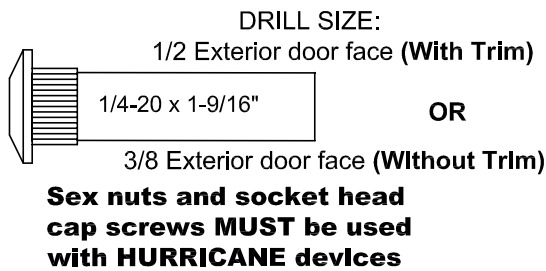
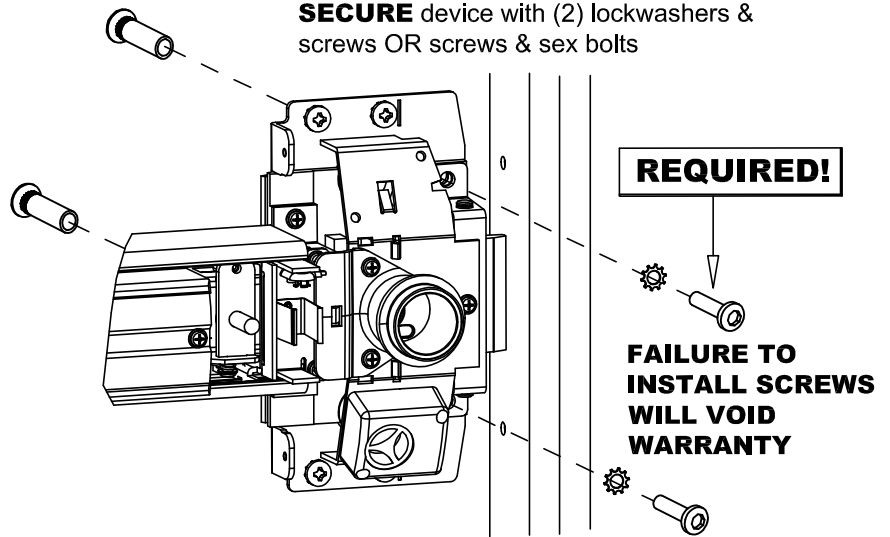
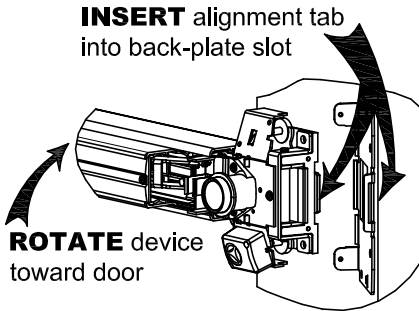
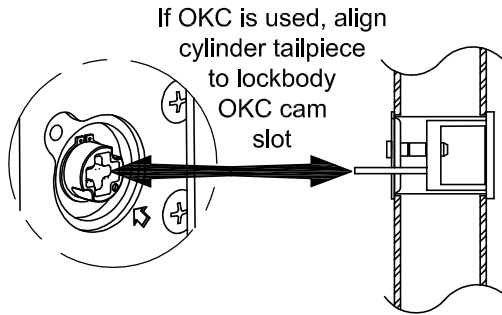
③ **INSTALL** with lockwashers & screws



HURRICANE:
Sex nuts and socket head cap screws **MUST** be used with HURRICANE devices.

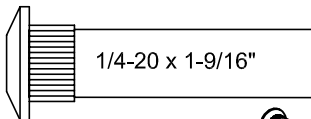
PULL PLATE installed on exterior of door

STEP 4: INSTALL DEVICE

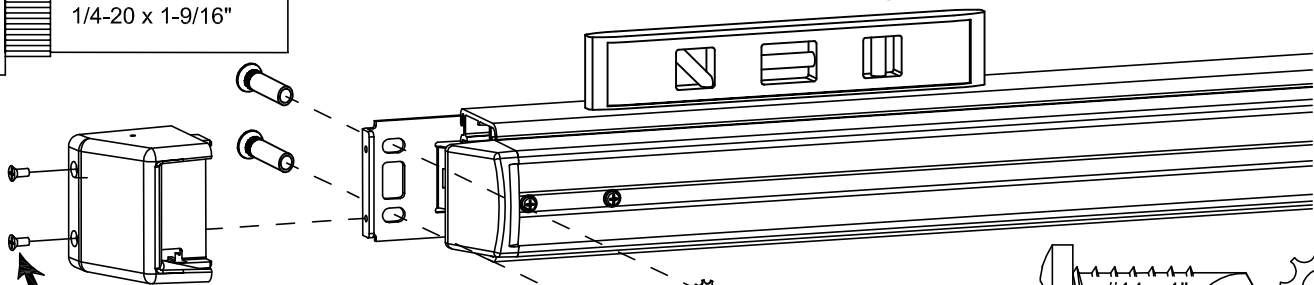


STEP 5: INSTALL ENDCAP

Sex nuts and socket head cap screws MUST be used with HURRICANE devices



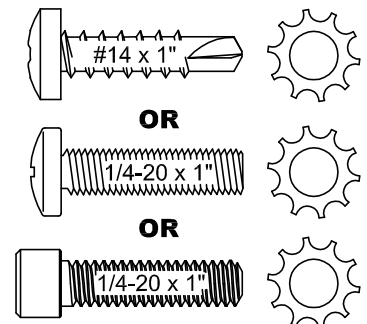
LEVEL device before drilling endcap bracket holes



8-32 x 5/16"

INSTALL endcap screws hand tight

INSTALL with (2) lockwashers & screws OR screws & sex bolts



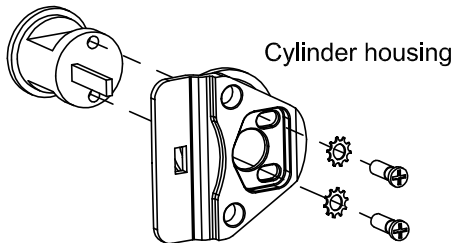
STEP 6: INSTALL RIM CYLINDER

NOTE:

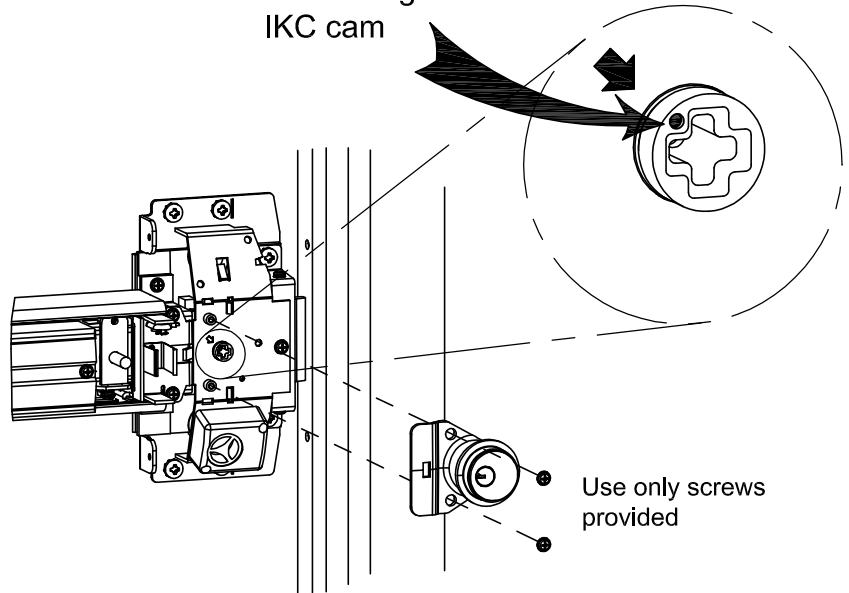
1. Rim cylinder NOT included.
2. REMOVE cylinder housing from device, then install rim cylinder.
3. REMOVE key before installing cylinder.

REQUIRED!

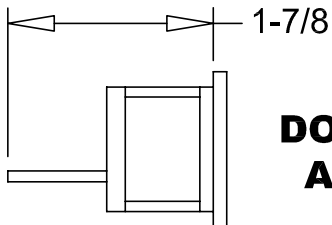
ALIGN arrow on bracket with timing mark on IKC cam



Cylinder housing



Use only screws provided

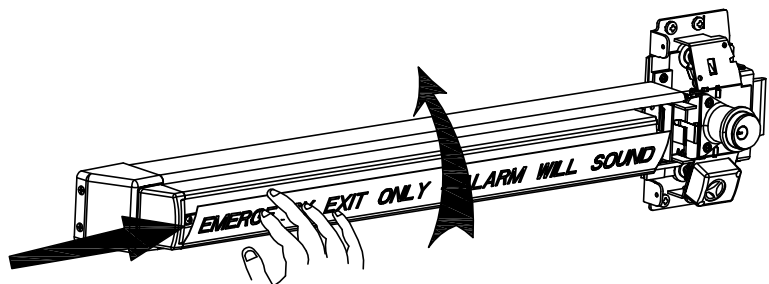
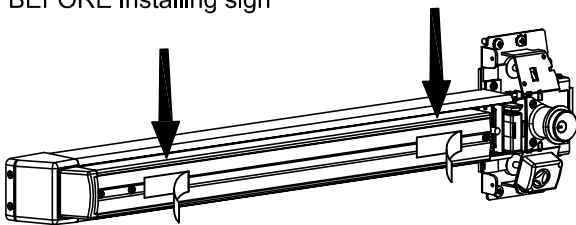


**DO NOT USE
A COLLAR**

STEP 7: INSTALL SIGN

INSERT sign edge into bottom of push-pad and snap into top of push-pad. Slide hand along top edge of push-pad to fully seat sign

Peel and remove tape backing
BEFORE installing sign



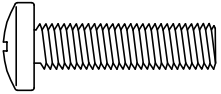
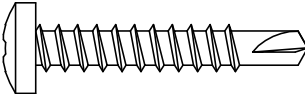

Edge of sign should be flush
with edge of push-pad endcap

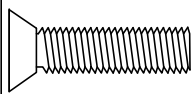
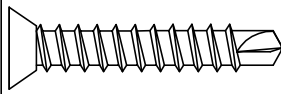

NOTE: A screwdriver handle, pen, or other small blunt tool can be used to snap/press the sign in.

STEP 8: Install Deadbolt Strike - All hardware shown on this page is supplied in the strike kit p/n 103660

SURFACE INSTALLATION

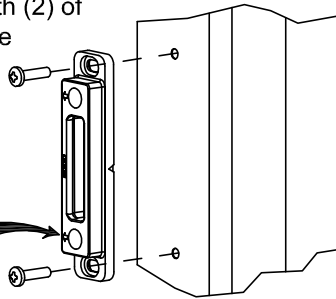
FLUSH INSTALLATION

Screw	Fastener Part No.	Drill Bit
	P/N: 100980 1/4-20 x 1" PPH	#7 or 13/64"
	P/N: 103276-65 #14 x 1-1/2" PPH	1/8 pilot hole recommended for self-drilling screws
	P/N: 105773-7 1/4-20 x 1" 3/16 Socket HD	#7 or 13/64" for threaded hole or 9/32" for use with sex bolts

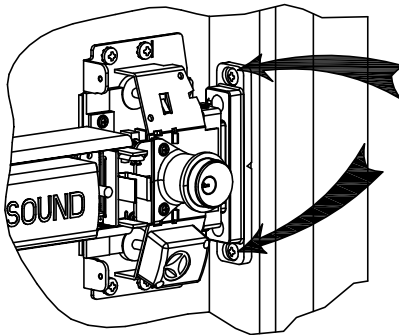
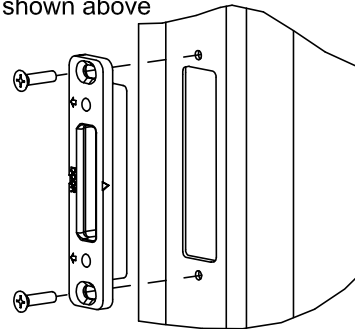
Screw	Fastener Part No.	Drill Bit
	P/N: 102271-116 1/4-20 x 1" PFH	#7 or 13/64"
	P/N: 103277-324 #14 x 1-1/2" PFH	1/8 pilot hole recommended for self-drilling screws
	P/N: 105774-5 1/4-20 x 1" 5/32 Socket HD	#7 or 13/64"

Fasten strike loosely with (2) of the screws shown above

NOTE: Arrows on strike indicate strike orientation

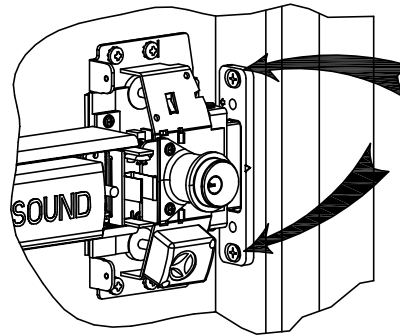


Fasten strike loosely with (2) of the screws shown above



Adjust strike

Adjust strike to desired fit. Tighten screws.



Adjust strike

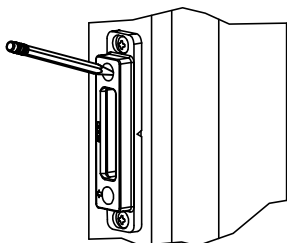
Adjust strike to desired fit. Tighten screws.

Install two (2) inner screws

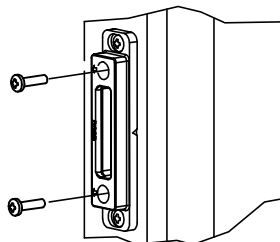
REQUIRED!

Complete strike installation with (2) of the screws shown above

Mark (2) remaining holes



Install (2) screws

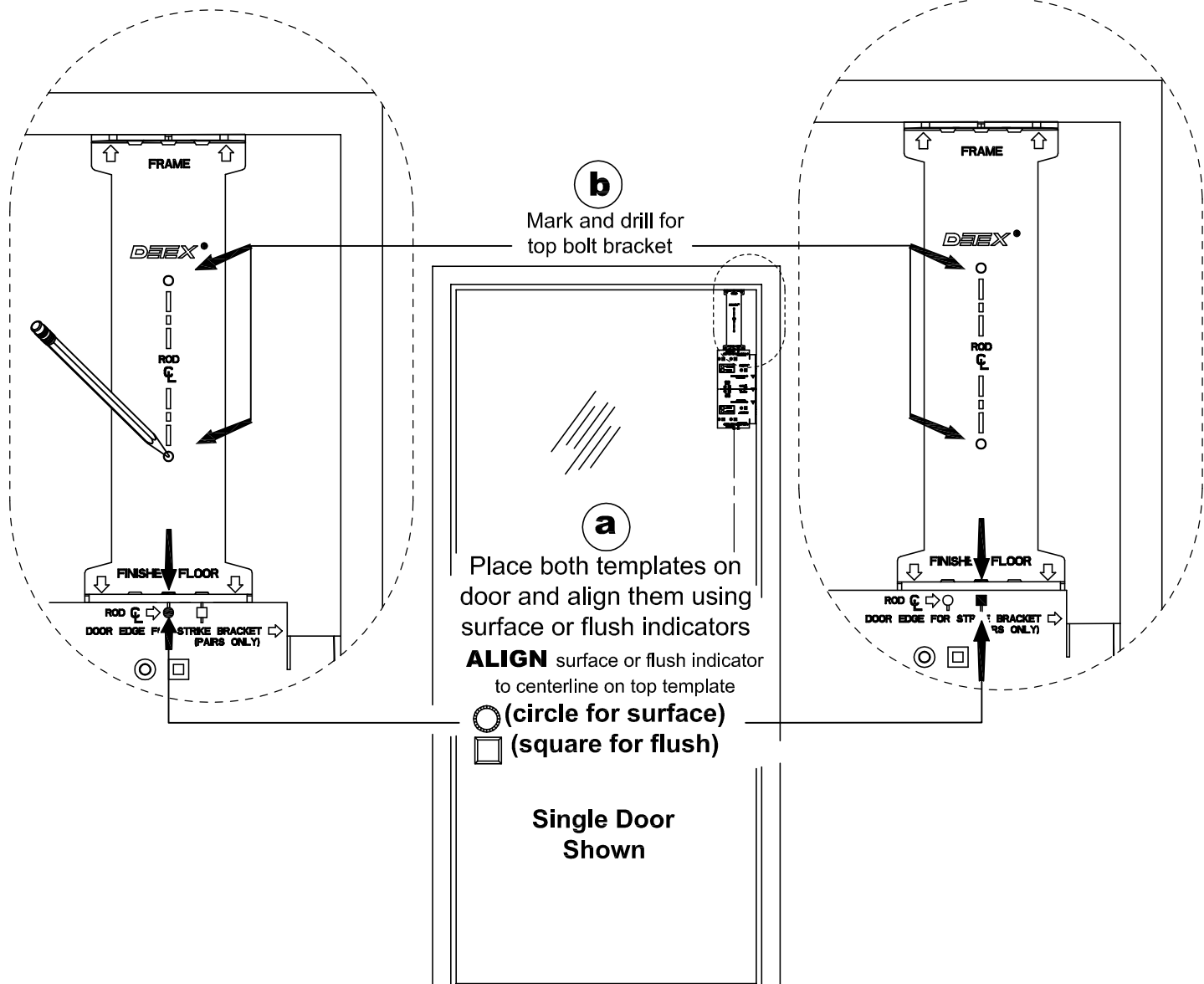


2-POINT and 3-POINT INSTALLATION (Top)

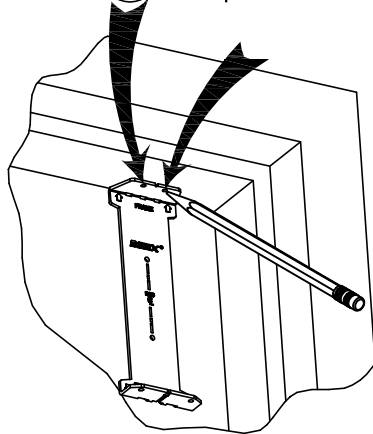
Mark & drill top strike and top bolt holes

SURFACE INSTALLATION

FLUSH INSTALLATION



c Mark and drill for top strike



Drill #7 for 1/4-20 machine screws,
OR
Drill 1/8 for #14 self-drilling screws

2-POINT and 3-POINT INSTALLATION (Bottom)

Mark & drill bottom strike and bottom bolt holes



SURFACE INSTALLATION

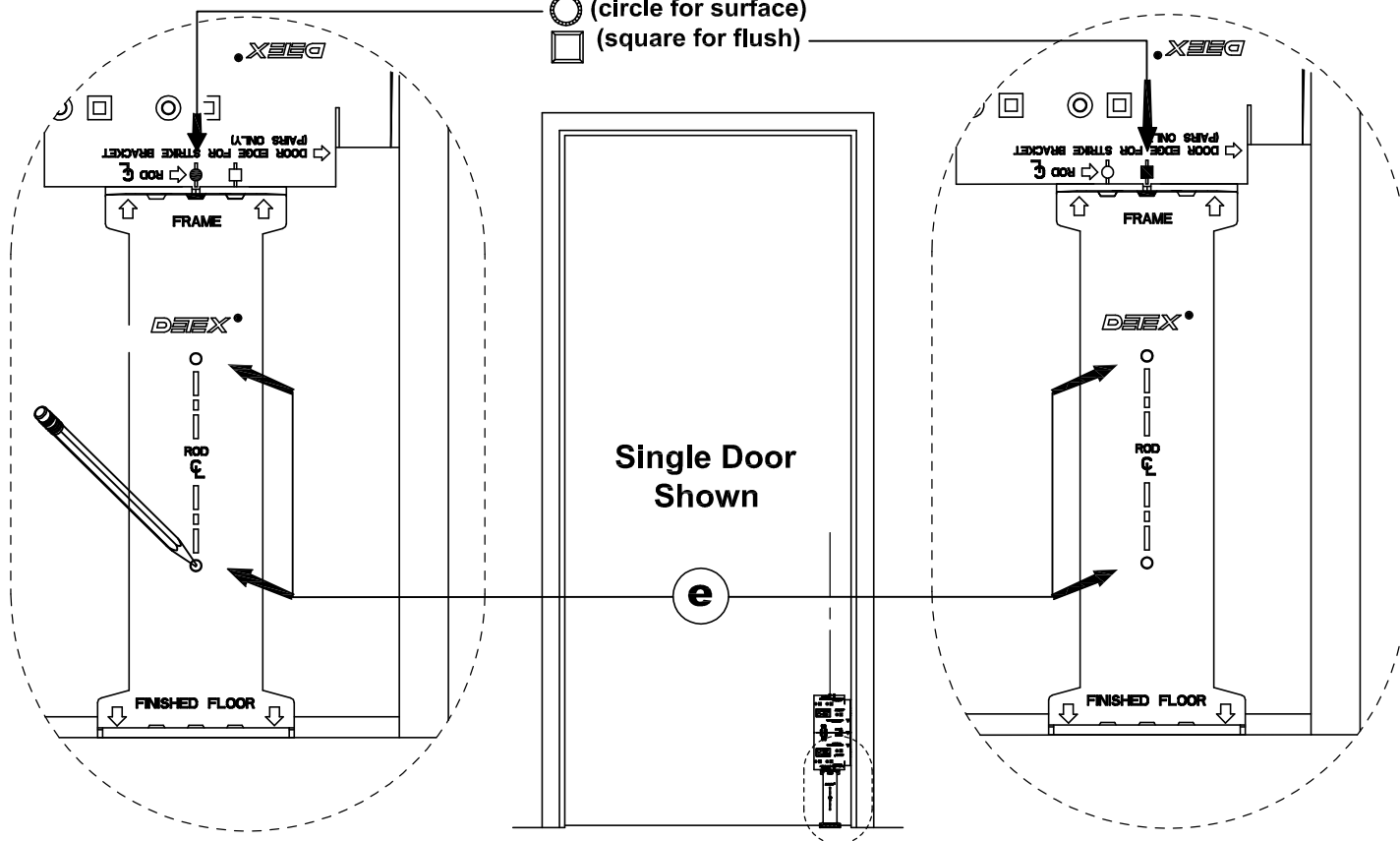
FLUSH INSTALLATION

d

Place both templates on door and align them using surface or flush indicators

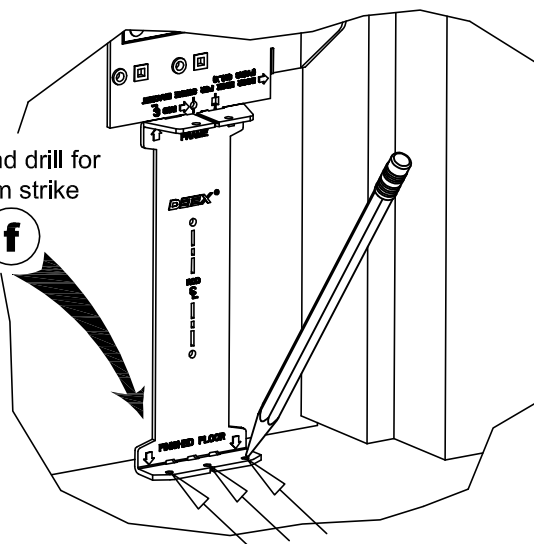
ALIGN surface or flush indicator to centerline on bottom template

-  (circle for surface)
-  (square for flush)



Mark and drill for bottom strike

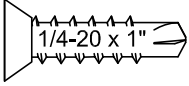
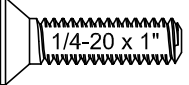
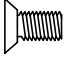
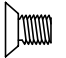
f



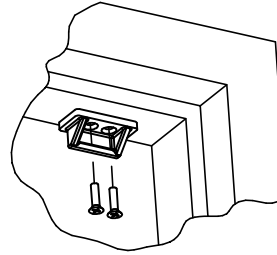
TOP STRIKE and TOP BOLT INSTALLATION

NOTE: The top bracket, top bolt and cover are shipped as a unit. Remove cover to access parts.

All hardware shown on this page except the Sex Nuts are supplied in the Top Bolt kit p/n 103693, 103693-1 or 103693-2

Screw	Fastener Part No.	Drill Bit
	P/N: 103277-316 #14 x 1" PFH	1/8 pilot hole recommended for self-drilling screws
	P/N: 105774-5 1/4-20 x 1" 5/32 Socket HD	#7 or 13/64"
	P/N: 101950-505 8-32 x 5/16" PFH	Used to attach cover to top bolt in later step
	P/N: 100156-104 8-32 x 1/4" PFH	

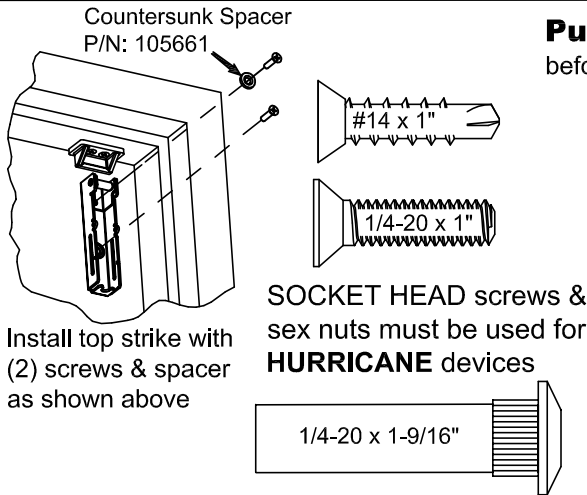
STEP A: Install top strike



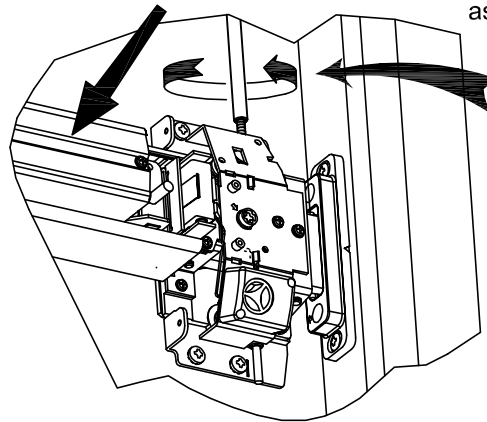
Install top strike with (2) screws

NOTE: SOCKET HEAD screws must be used for HURRICANE devices

STEP B: Install top bolt bracket & top rod



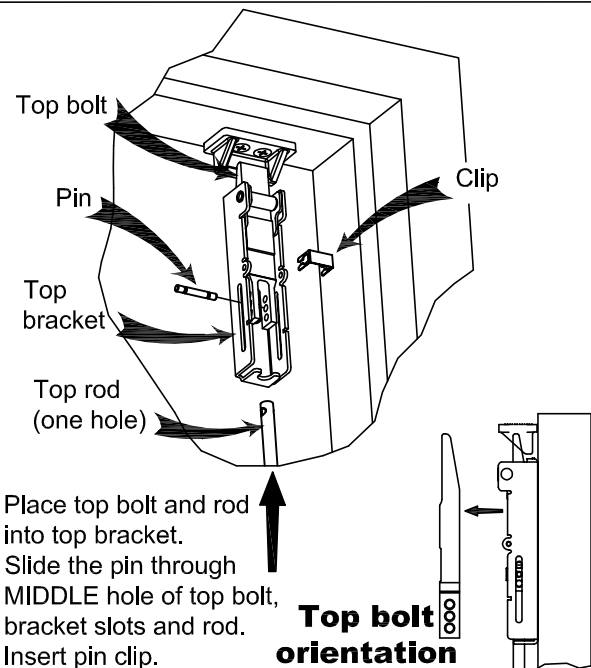
Push in Pushpad before installing top rod



Screw top rod onto threaded rod 7 full turns minimum, then adjust as needed

CAUTION: With top bolt extended, end of rod **MUST NOT** be visible when cover is installed (cover not shown)

STEP C: Install top bolt



STEP D: Top bolt adjustment

See page 22 for cutting top rod

COURSE ADJUSTMENT:

Adjust strike engagement by using different holes in bolt.

FINE ADJUSTMENT:

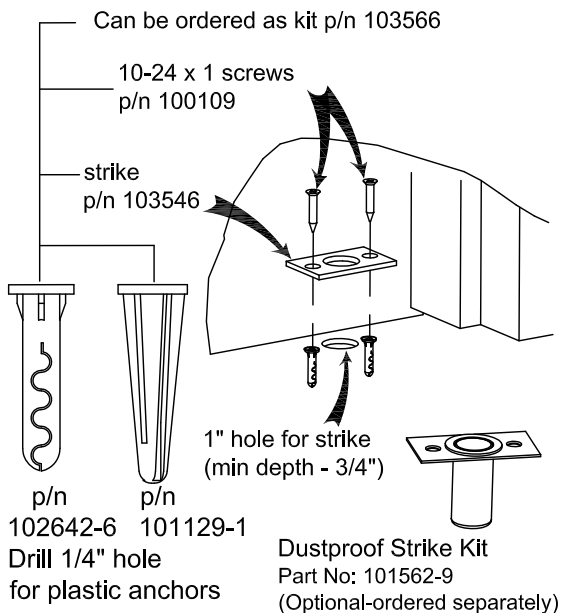
Use thread on top rod to obtain fine adjustment. 1 thread turn = Approximate .050 inches

SEE PAGE 21 for TESTING and ADJUSTMENT

BOTTOM STRIKE and BOTTOM BOLT INSTALLATION

NOTE: The bottom bracket, bottom bolt and cover are shipped as a unit. Remove cover to access parts.

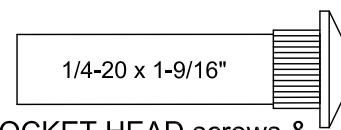
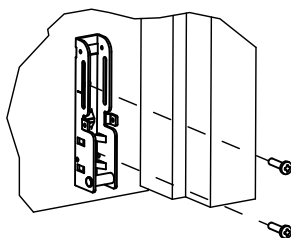
STEP E: Install bottom strike



STEP F: Install bottom bolt bracket

Hardware included in Bottom Bolt kit (p/n 103693-1)

Screw	Fastener Part No.	Drill Bit
	P/N: 103276-65 #14 x 1-1/2" PPH	1/8 pilot hole recommended for self-drilling screws
	P/N: 100980 1/4-20 x 1" PPH	#7 or 13/64" for threaded hole or 9/32" for use with sex bolts
	P/N: 105773-7 1/4-20 x 1" 3/16 Socket HD	

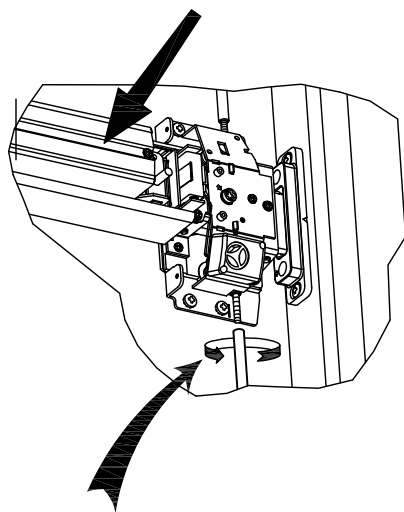


SOCKET HEAD screws & sex nuts must be used for HURRICANE devices

Sex nuts sold separately

STEP G: Install bottom rod

Push in Pushpad
before installing bottom rod

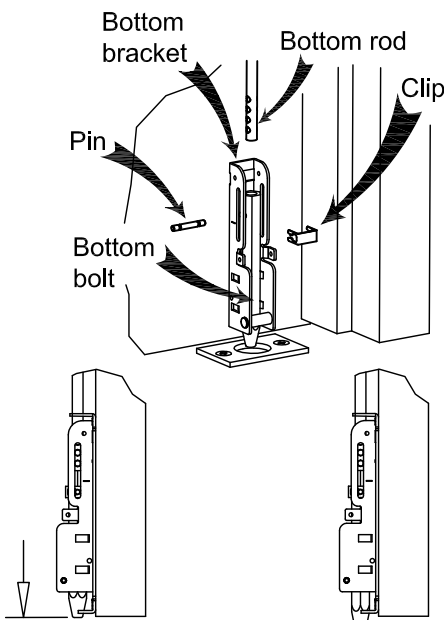


Screw bottom rod onto threaded rod
7 full turns minimum, then adjust
as needed

CAUTION: With bottom bolt extended, end of rod MUST NOT be visible when cover is installed (cover not shown)

STEP H: Install bottom bolt

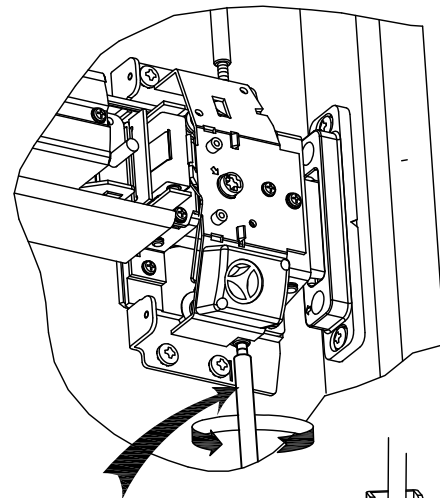
Place bottom bolt and rod into bracket. Slide the pin through bracket slots, bolt, and rod hole. Insert pin clip.



1/16 to 1/8
minimum
clearance
between bolt
and strike with
BOLT
RETRACTED

Only conical
portion of bolt
should protrude
into strike with
BOLT
EXTENDED

STEP I: Bottom Bolt Adjustment



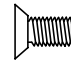
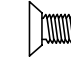
FINE ADJUSTMENT:
Use thread on bottom rod
to obtain fine adjustment.
1 thread turn =
Approximate .050 inches

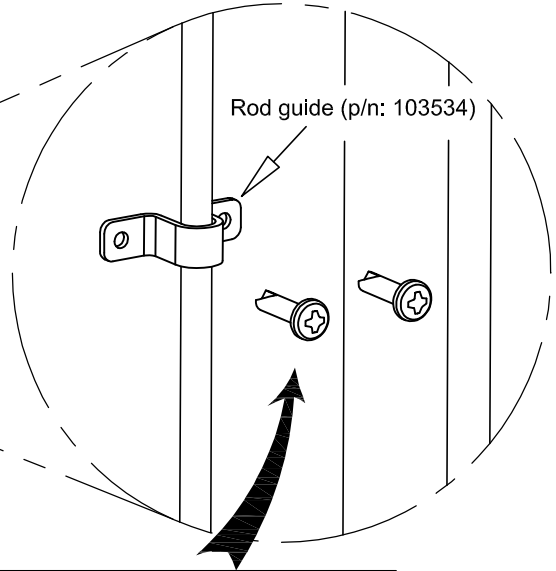
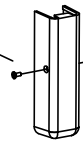
COURSE ADJUSTMENT:
Adjust strike engagement
by using different holes
in rod.



SEE PAGE 21 for TESTING and ADJUSTMENT

TOP and BOTTOM COVER INSTALLATION & ROD GUIDES

Install top cover with screws provided in Top Bolt kit

-  P/N: 101950-505
8-32 x 5/16" PFH
or
-  P/N: 100156-104
8-32 x 1/4" PFH



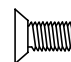
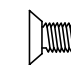
V50 ROD GUIDE KIT (p/n: 104073)	
	P/N: 103276-41 #10 x 1" PPH
	P/N: PP-5183-68 #10 x 1" SMS PPH

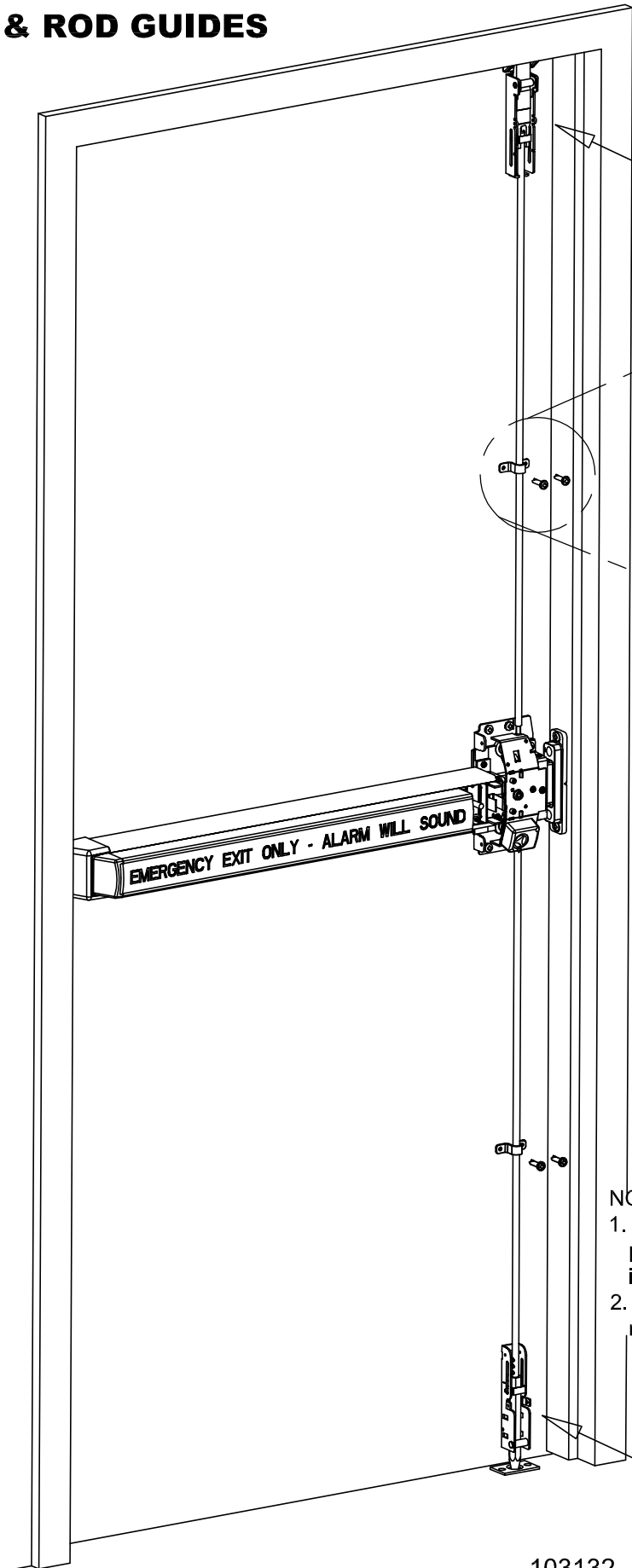
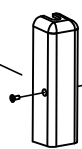
NOTE: 1/16 pilot hole recommended
Space 1 rod guide equal distance between centercase and bolt assemblies (7 foot and 8 foot doors). Use 2 rod guides spaced evenly on the top rod of 10 foot doors.

NOTE:

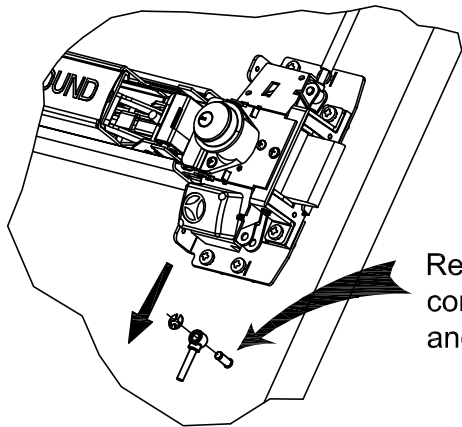
1. If metal bottom bolt guard is to be used, do not attach the plastic bottom bolt cover (refer to bottom bolt guard installation instructions).
2. If rod covers are to be used, do not install rod guides (refer to rod cover installation instructions).

Install bottom cover with screws provided in Bottom Bolt kit

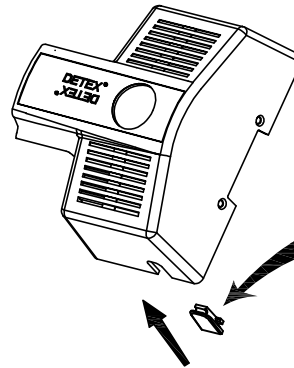
-  P/N: 101950-505
8-32 x 5/16" PFH
or
-  P/N: 100156-104
8-32 x 1/4" PFH



DEADBOLT AND TOP BOLT INSTALLATION (TD)



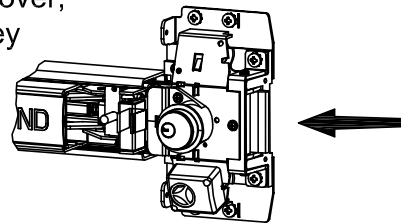
Remove bottom rod, connector, pin, and e-clip



Tap the Rod Cover Cap into place

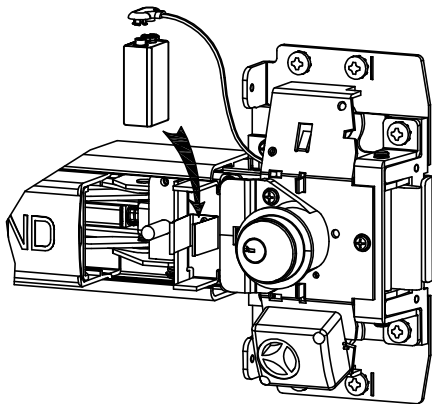
Install Battery and Cover

Before installing cover, retract bolt with key

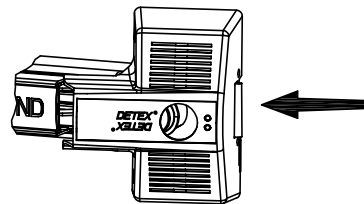


Before installing battery, RETRACT bolt with key

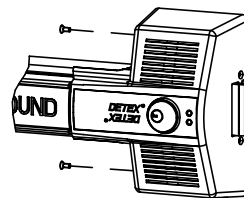
Connect 9V battery



Rotate slightly over retracted bolt while installing cover



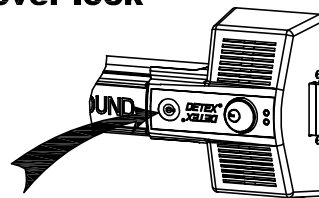
Install cover



8-32 x 3/8" PFH

4 cover screws if optional cover lock not ordered

OPTIONAL cover lock

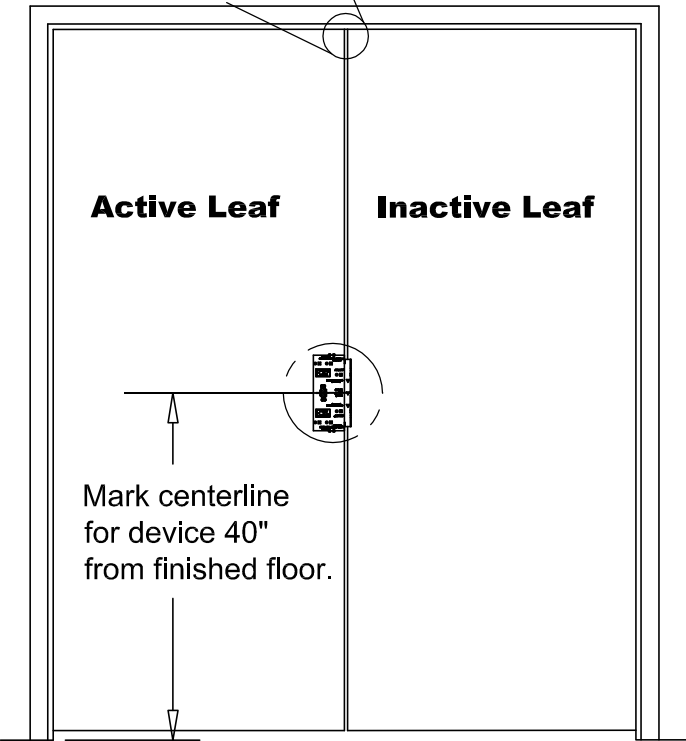
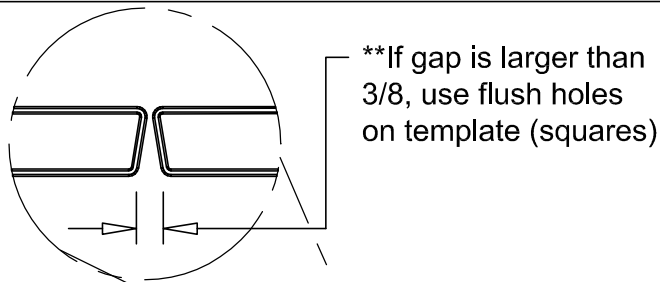


8-32 x 3/8" PFH

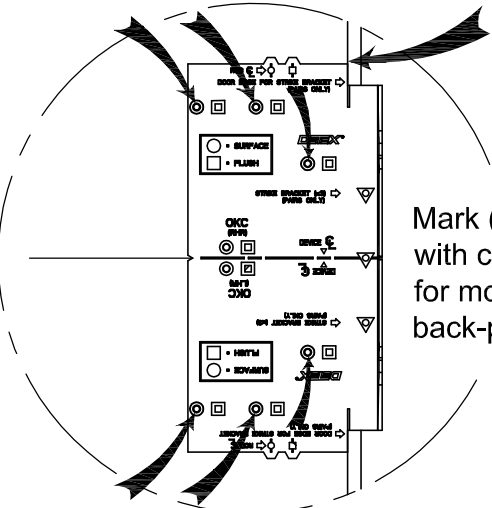
2 cover screws if optional cover lock is ordered

Optional cover lock: (If ordered)
Turn cover lock key 4 to 5 turns (CW) to fasten cover

DOUBLE DOOR INSTALLATION

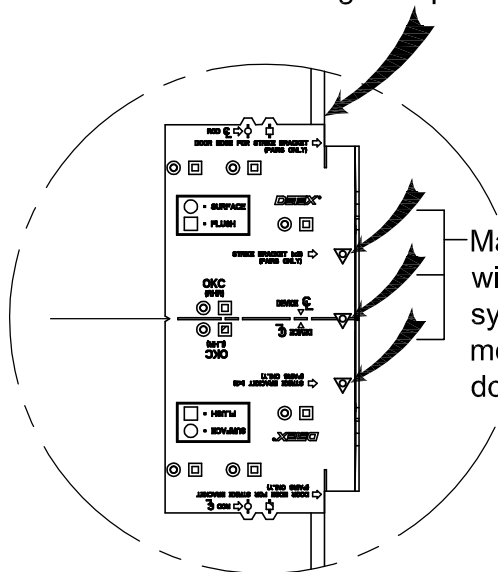


Active Leaf:
Align template with door edge



Mark (6) holes with circled symbols for mounting back-plate**

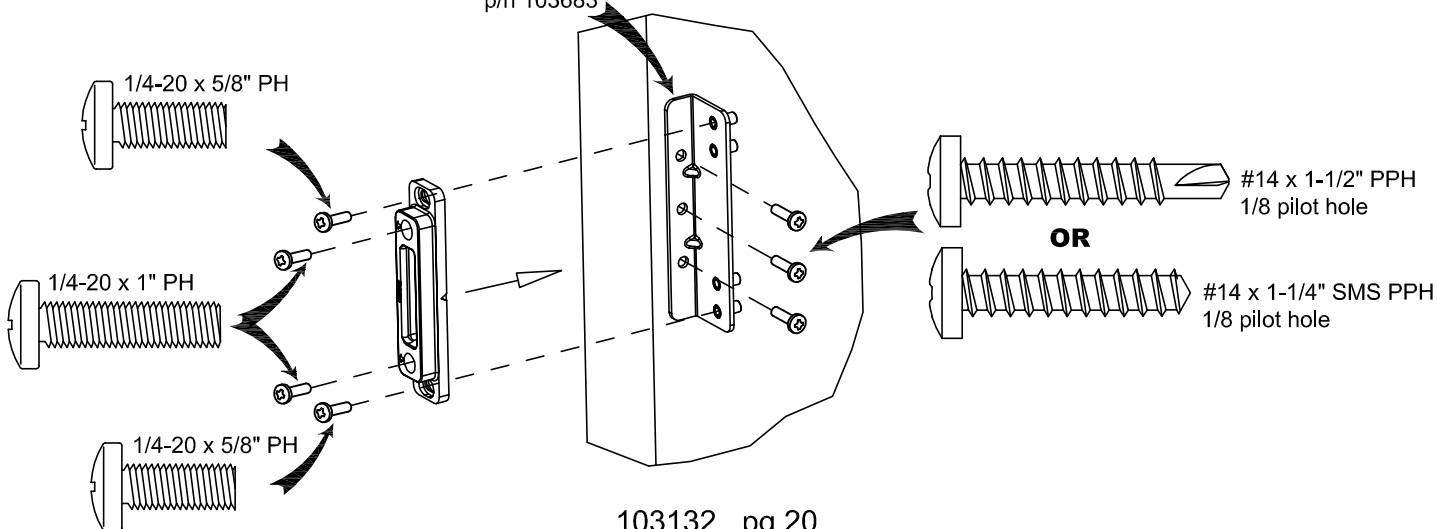
Inactive Leaf:
Align template with door edge



Mark (3) holes with triangular symbols for mounting double door bracket

OPTIONAL:
Double door strike kit
P/N: DDSK

Bracket
p/n 103683



Operations: Turn the cylinder key 360 degrees clockwise (CW) to arm the device and lock the door. With the door locked, pushing the bar will unlock the door and sound the alarm. Turn the cylinder key 360 degrees clockwise (CW) to turn off the alarm, lock the door and arm the device.

Unlocking door with key: Turn the key 360 degrees counterclockwise (CCW) to unlock the door without setting off the siren.

Note: 360 degrees is the cylinder requirement, do not exceed. DO NOT turn past the HOME POSITION.

Troubleshooting:

1. How to remove cover

- a) Remove cover by unfastening four screws. If a cover lock is provided with cover, insert the cover lock key and turn it counter-clockwise approximately 4-5 complete turns in addition to removing 2 screws in front of cover.

2. Trouble installing cover:

- a) No cylinder collar is needed and will cause problems installing cover, remove collar.
- b) The cover needs to rotate slightly over the dead bolt.

3. Siren does not sound:

- a) Confirm the 9V battery voltage is good.
- b) Confirm the battery connector and wires are ok.
- c) Remove siren bracket assembly - Check micro-switches - With both switches open, the siren should sound.
- d) For a quick test to check siren, a 9V battery can be connected straight to the red (+) and black (-) wires on the siren.

4. Key control cylinder (IKC) - Hard to turn (Binding), does not turn:

- a) Verify the tailpiece is the right length and not bottoming out.
- b) Verify the cylinder cam is timed correctly, see page 12, step 6
- c) Verify the dead bolt or rod bolts are not bottoming out or rubbing on the strike.
- d) Push bar in and release, the bar should spring back out.
- e) Make sure the device back-plate and end mounting bracket are on the same level surface.
- f) Confirm two screws are installed to secure locking mechanism to door, see page 11, step 4.

Two point locking

- g) Confirm bottom rod connector was removed, see page 19.

5. The unit sounds when the dead bolt is extended:

- a) Verify the cylinder cam is timed correctly, see page 12, step 6.
- b) Verify the dead bolt or rod bolts are not bottoming out or rubbing on the strike.

6. The alarm does not reset:

- a) Turn the key 360 degrees clockwise.

7. The rod adjustments can cause malfunction of the product.

- a) If the multi-point device is malfunctioning, remove one rod at a time and recheck operations. See rod adjustment operations on page 16 and 17

Call DETEX Technical Support at 1-800-729-3839

Testing and Adjustment:

Testing: (TOP BOLT)

1. Close the door; turn key (CW) to lock door; bolt should project into the strike cavity and lock securely.
2. Push on the push-pad to open the door. The top bolt should retract from the strike and clear by 1/16" to 1/8". Bolt should remain retracted.
3. Close the door; turn key (CW) to lock door. Bolt should project into strike cavity.

Adjustment: (TOP BOLT) - Adjust bolt engagement by using holes in top bolt:

1. If top bolt hits edge of strike when door is opened:
Remove clip and pin, move bolt down and insert pin in next lower bolt hole. Insert clip and pin. Test door for bolt clearance.
2. If top bolt does not engage strike:
Remove clip and pin, move bolt up and insert pin in next upper bolt hole. Insert clip and pin. Test door for bolt engagement.

NOTE: Fine adjustment can be obtained by using thread on bottom rod (1 thread turn = Approx .050 inches)

Testing: (BOTTOM BOLT)

1. Close the door; turn key (CW) to lock door; bottom bolt should drop into the strike with door closed.
2. Push on the push-pad to open the door. The bottom bolt should retract from the strike and clear by 1/16" to 1/8". Bolt should remain retracted.
3. Close the door; turn key (CW) to lock door. Bolt should drop into strike.

Adjustment: (BOTTOM BOLT) - Adjust bolt engagement by using holes in rod:

1. If bottom bolt drags on the floor or hits edge of strike:
Remove clip and pin, move bolt up and insert pin in next upper rod hole. Insert clip and pin. Test door for bolt clearance.
2. If bottom bolt does not engage strike:
Remove clip and pin, move bolt down and insert pin in next lower rod hole. Insert clip and pin. Test door for bolt engagement.

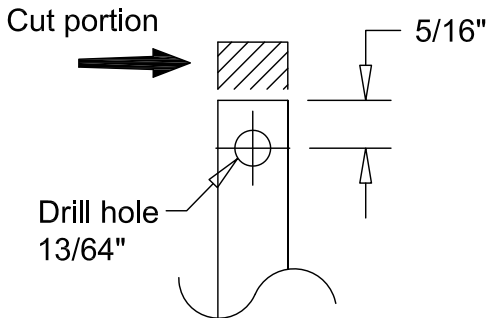
NOTE: Fine adjustment can be obtained by using thread on bottom rod (1 thread turn = Approx .050 inches)

Cutting Top Rod (For non-standard doors)

Top rod may require cutting if centerline of device is over 40" from finished floor, or if a non-standard frame is used.

To determine top rod length: Measure the distance from the bottom edge of top bolt bracket to the top edge of backplate (XXXX). Add 2-7/8" for the rod length.

DRILL HOLE AFTER CUTTING

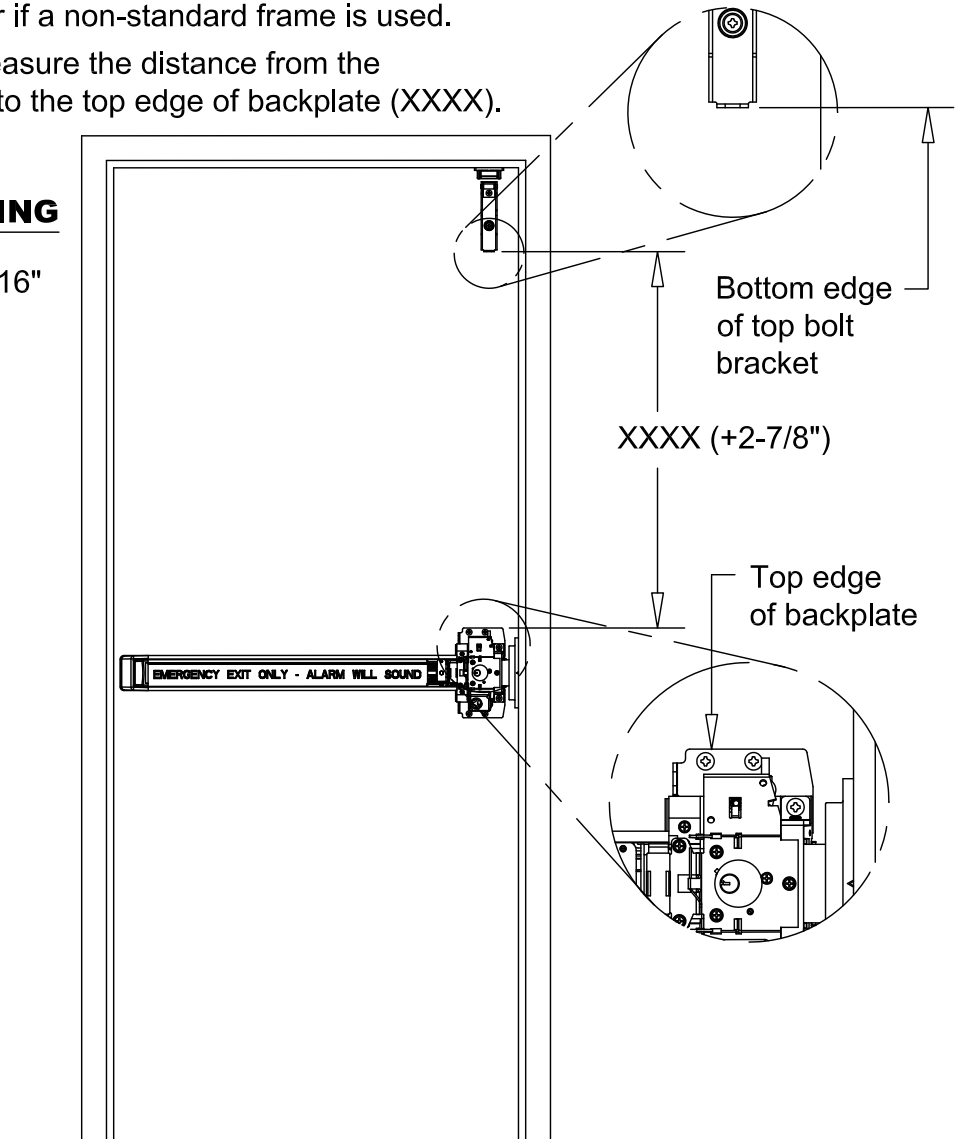


Modify top rods:

P/N 103674: (7 ft)

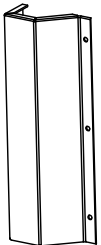
P/N 101472-4: (8 ft)

P/N 101472-3: (9-10 ft)

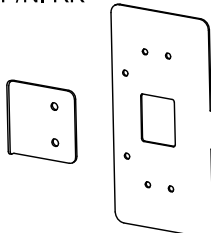


ACCESSORIES

Bottom guard kit
P/N: 103558-10



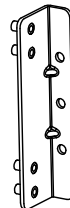
Retro-fit plate kit
P/N: RK



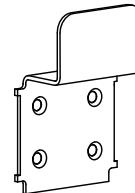
Rim cylinder plate
P/N: 102638



Double door strike bracket kit
P/N: DDSK



Inside Pull
P/N: IP

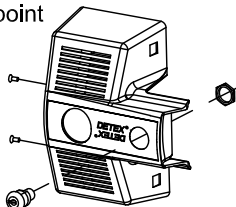


Rod cover kit
P/N: 103558-10

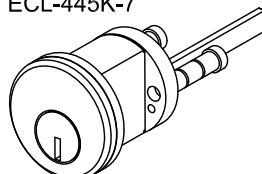


Cover lock kit

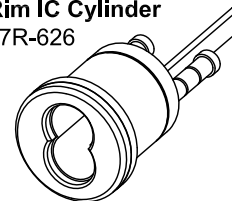
P/N: 105059-1, Single point
P/N: 105059-5, 3 point



5 Pin Rim Cylinder
P/N: ECL-445K-7



7 Pin Rim IC Cylinder
P/N: IC7R-626



TEMPLATE for outside Trim

