

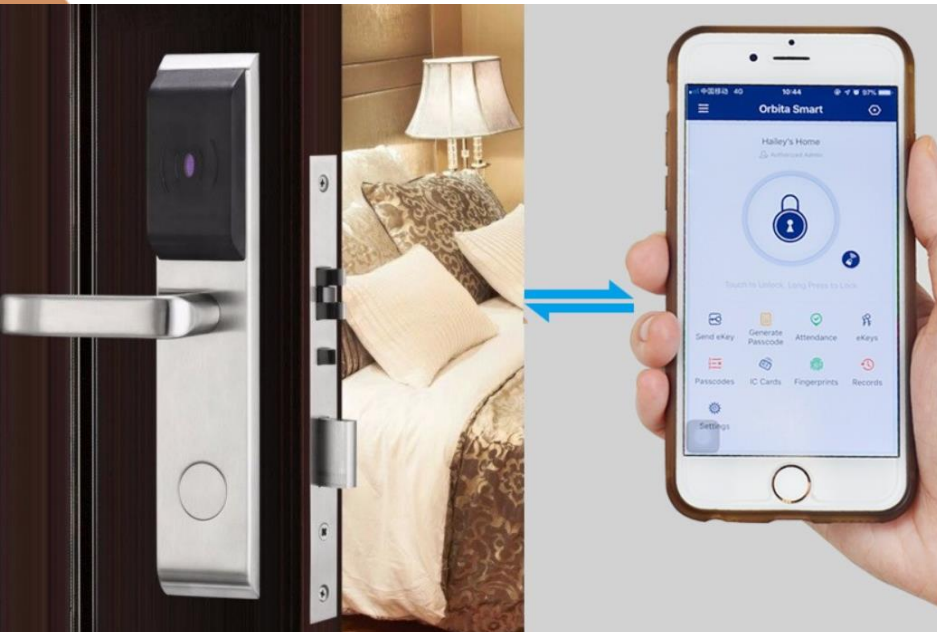
ORBITA TECHNOLOGY CO., LTD.

PROFESSIONAL & INNOVATIVE

Nancy Qiu-oversea sales, Sales3.hz@orbitatech.com, www.orbitatech.com

E3042SBT Bluetooth Hotel Lock

- * Unlock with phone APP
- * Generate E-key for client's smartphone
- * Check opening records with APP&web online
- * Waterproof- Sealed electronic



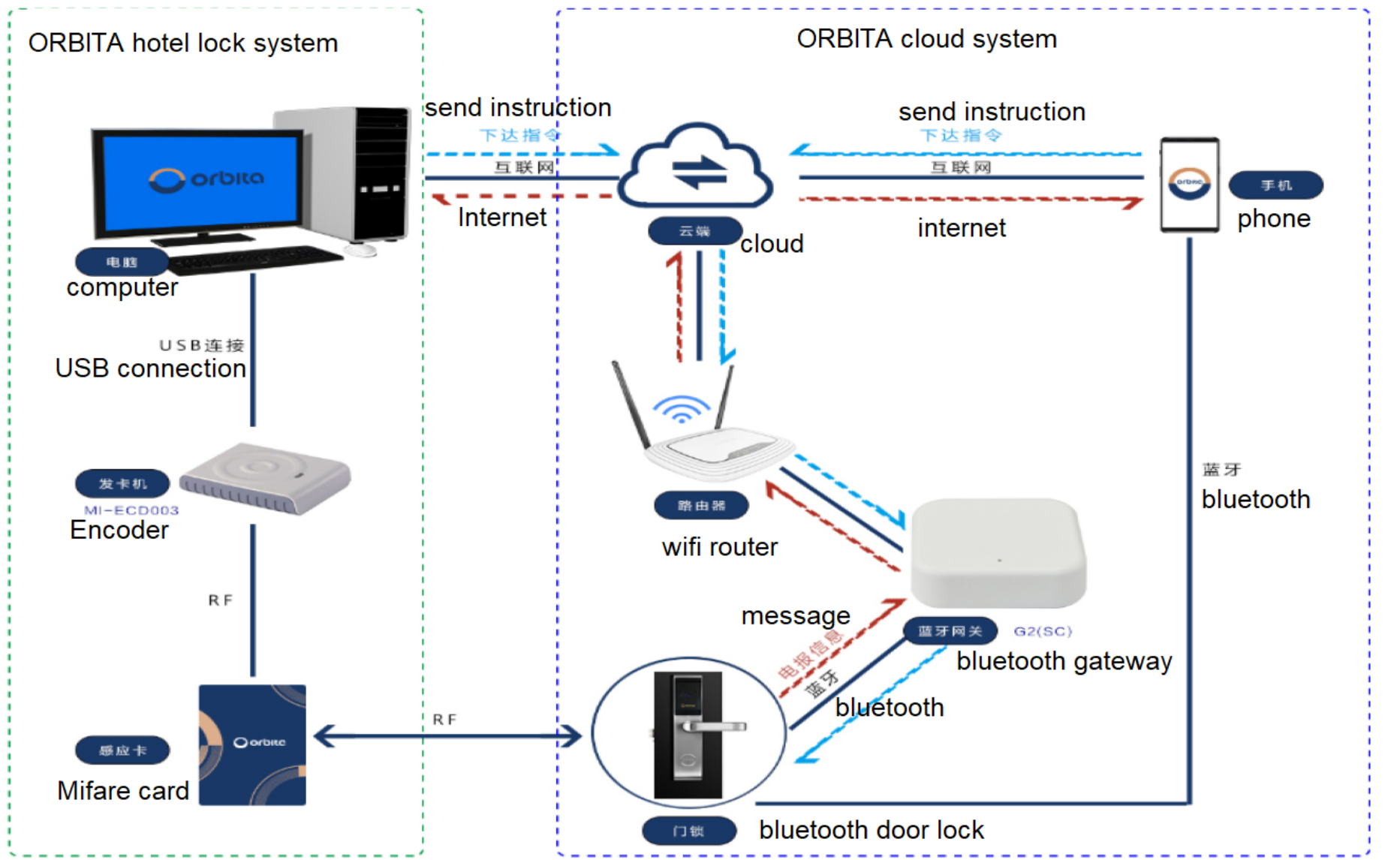
Main Features & Function



- Unlock with Bluetooth APP, Mifare card and key
- APP Support: Android 4.3/IOS7.0 and above
- Mifare Technology, Bluetooth 4.1 standard
- 304 Stainless Steel panel and handles
- 5 latch ANSI U.S. standard mortise
- 4 pc AA Cell, minimum 12 months lifespan.
- Low Voltage warning.
- Classified Access Authorization
- General Master, Building master, Emergency card, House Keeping card...
- Lost card suspension.
- Common door function like Swimming pool, Gym, fitness center.
- Meeting room function



Bluetooth Hotel Locking System



Bluetooth Phone APP



Orbita Smart

- 010102** 40%
Permanent/Admin
- 010104** 90%
Permanent/Admin
- 01101** 30%
Permanent/Admin
- 105BTLock_e14fca** 35%
unlock remotely
Permanent/Admin
- 3041BTLock_73550f** 55%
unlock remotely
Permanent/Admin

Orbita Smart

010102

Touch to Unlock, Long Press to Lock.

- Send eKey
- Generate Passcode
- Attendance
- eKeys
- Passcodes
- IC Cards
- Fingerprints
- Authorized Admin
- Records
- Settings

Records REFRESH RECORDS

Search

2020.03.10

- 15875252272
10:42:31 Unlock with APP
- 15875252272
10:41:57 Unlock with APP
- 15875252272
10:41:50 Unlock with APP
- 1
10:41:42 Unlock with IC card
- 1
10:40:59 Unlock with IC card
- 1
10:40:52 Unlock with IC card
- 15875252272
10:40:02 Unlock with APP

Lock Name [Search](#) [Issue IC Card](#)

010102
 40%
 [Send eKey](#) [Send Passcode](#) [Manage](#)

010104
 90%
 [Send eKey](#) [Send Passcode](#) [Manage](#)

01101
 30%
 [Send eKey](#) [Send Passcode](#) [Manage](#)

Home > [Lock Information](#)

010102 40% [Send eKey](#) [Send Passcode](#) ...

Lock Number: J301_76fab0 updated at 2020-07-24 22:08
 MAC/ID: E4:CA:00:B0:FA:76/1885885 **Lock Status: unknown**
 Firmware: 4.4.3.191115

[eKeys](#) [Passcodes](#) [IC Cards](#) [Fingerprints](#) [Records](#) [Clear](#)

Name	Recipient Account	Assigner	Assigning Time	Validity Period	Status	Operation
888	15118938897	15875252272	2020-07-23 11:34	2020-07-23 11:34 ~ 2020-07-29 11:34	Pending	Edit Freeze Authorize Records Delete

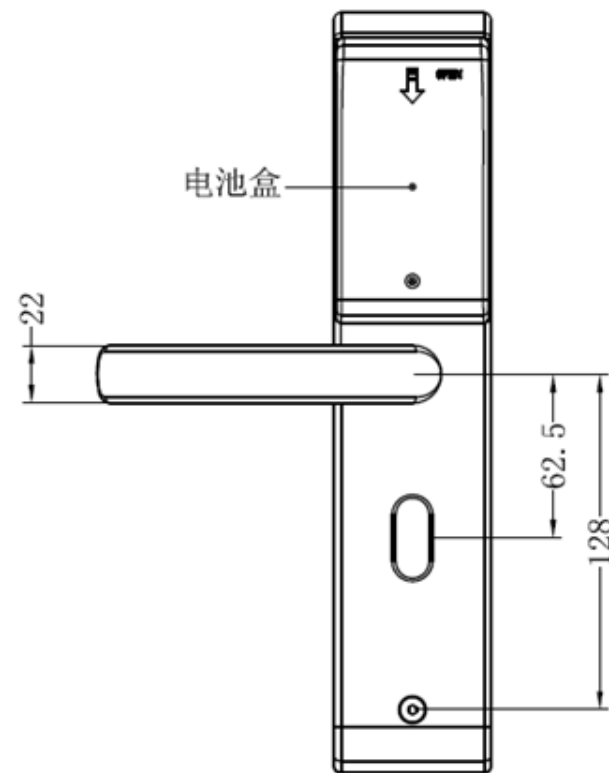
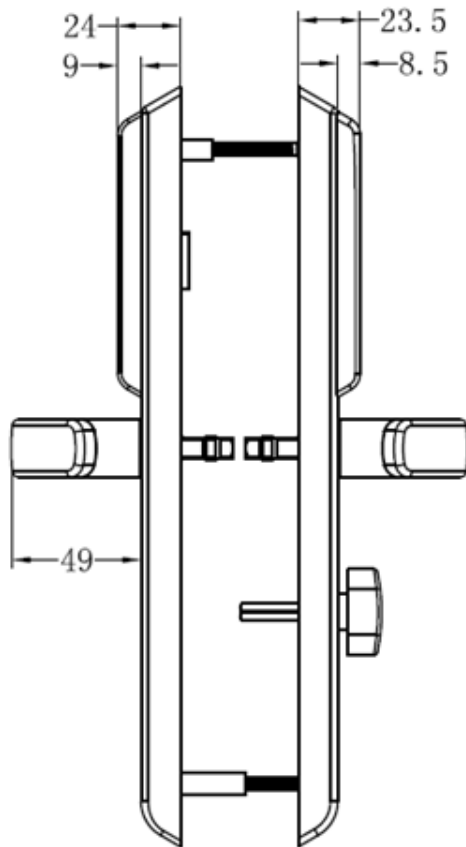
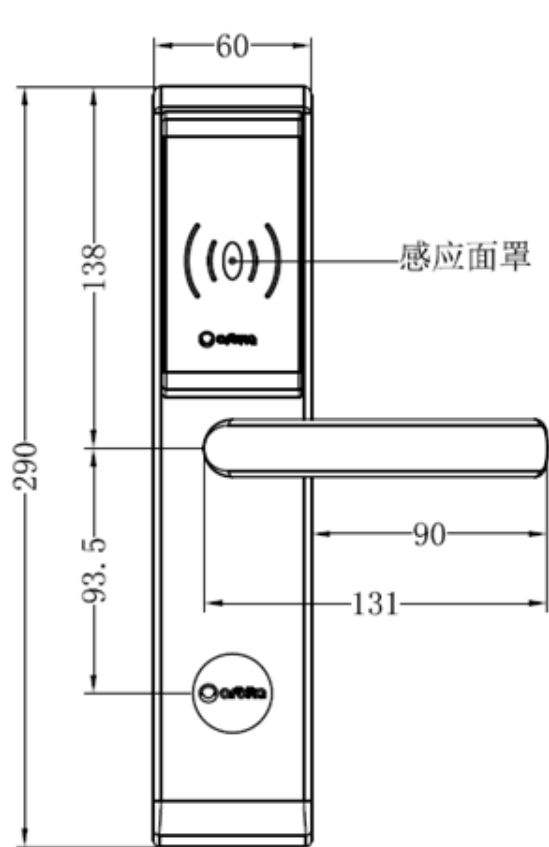
[eKeys](#) [Passcodes](#) [IC Cards](#) [Fingerprints](#) [Records](#) [Export logs](#)

Operator	Unlock Method	Unlock Time	Status
15875252272	unlocked via APP	2020-03-10 10:42	Success
15875252272	unlocked via APP	2020-03-10 10:41	Success
15875252272	unlocked via APP	2020-03-10 10:41	Success

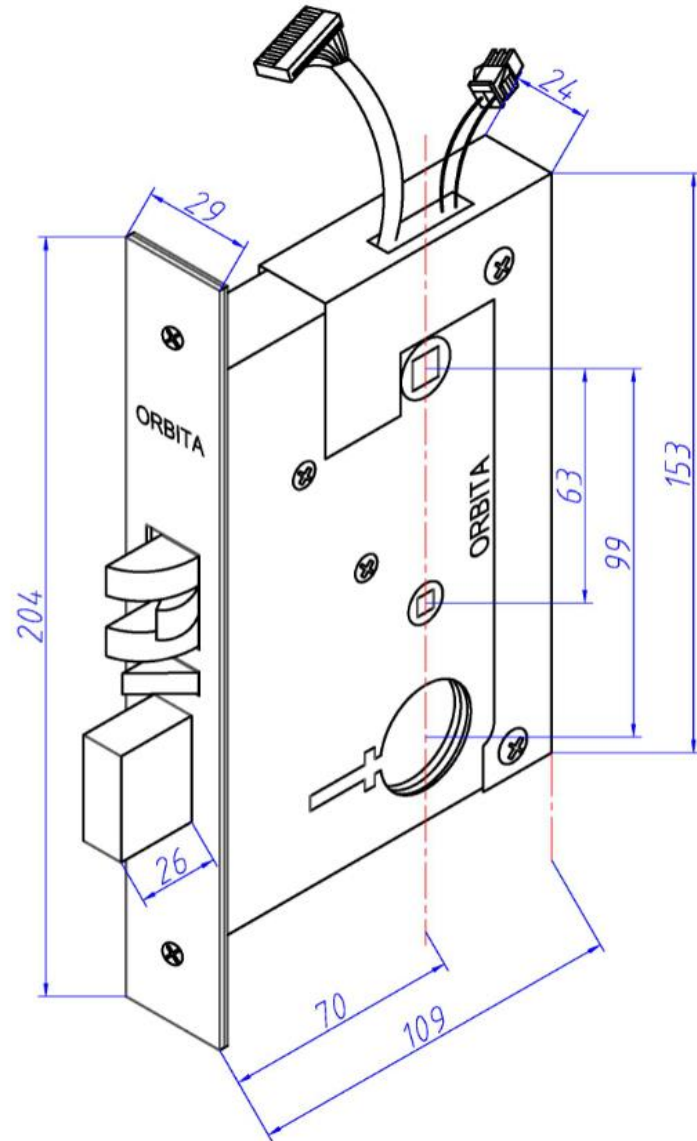
Lock E3042SBT Picture



Lock E3042SBT Dimension



ANSI Mortise



Intertek

Intertek Legal Entity: Intertek Testing Services Shenzhen Ltd. Guangzhou Branch
Block E, No. 7-2 Guang Dong Software Science Park, Calpin Road,
Guangzhou Science City, GETDD, Guangzhou, China
Telephone/Fax: 86-20-8213 9688/86-20-3205 7538

Test Verification of Conformity

On the basis of the tests undertaken, the sample(s) of the below product have been found to comply with the requirements of the referenced specifications at the time the tests were carried out.

Applicant Name & Address	: ORBITA TECHNOLOGY CO., LTD. 5th Floor Bldg B8, XiuFeng Industrial Zone, Buji, Longgang Dist. Shenzhen, China.
Product(s) Tested	: HOTEL LOCK
Ratings and principal characteristics	: Grade 2
Model(s)	: E3041
Brand name	: ORBITA
Relevant Standard(s)/Specification(s)	: ANSI/BHMA A156.13 - 2012 & ANSI/BHMA A156.25-2013
Verification Issuing Office Name & Address	: Same as Legal Entity
Date of Test(s)	: September 9, 2013 to June 7, 2014
Verification/Report Number(s)	: 130909045GZU-001 / 130909045GZU-001 & 130909045GZU-002

NOTE: This verification is part of the full test report(s) and should be read in conjunction with it.

This Verification is for the exclusive use of Intertek's Client and is provided pursuant to the agreement between Intertek and its Client. Intertek's responsibility and liability are limited to the terms and conditions of the agreement. Intertek assumes no liability to any party, other than to the Client in accordance with the agreement, for any loss, expense or damage occasioned by the use of this Verification. Only the Client is authorized to copy or distribute this Verification. Any use of the Intertek name or one of its marks for the sale or advertisement of the tested material, product or service must first be approved in writing by Intertek. The observations and test results referenced from this Verification are relevant only to the sample tested. This Verification by itself does not imply that the material, product, or service is or has ever been under an Intertek certification program.


Signature: 

Name: Baudouin
Position: Senior Manager

Date: November 10, 2014

BHMA CERTIFIED

Passed 800,000 times circling test



Certificate: CE, FCC, FIDELIO, ISO



SEM.Test Compliance Service Co., Ltd.
3/F, Jinbao Commerce Building, Xin'an Fanshen Road,
Bao'an District, Shenzhen, P.R.C. (518101)

CERTIFICATE OF CONFORMITY

Certificate No.: SEM13066339

The following product has been tested by SEM.Test Compliance Service Co., Ltd. with the listing standards and found in conformity with the EC Council Directive of 2004/10/EC. It is possible to use CE marking to demonstrate the conformity with this EMC Directive.

Report No. : STR13068228E

Applicant : ORBITA TECHNOLOGY CO.,LTD.
Address : Bldg B8, Xiufeng Industrial Zone, Buji, Longgang District, Shenzhen, China.
Manufacturer : ORBITA TECHNOLOGY CO.,LTD.
Address : Bldg B8, Xiufeng Industrial Zone, Buji, Longgang District, Shenzhen, China.

Description of Product : RF Card Lock
Model No. : E3010S, E3110S, E3060S, E3180S, E3011S, E3111S, E3090, E3190, E3030, E3330, E3031, E3131, E3041, E3141, E3091, E3191, E3033, E3333, E3050, E3350, E3021, E3121, F3020, F3120, F3220, F4020, E3070, E3370, E3060Z, E3180W, E3081Z, E3161Z, S3062Z, S3162Z, S3032, S3132, S3072H, S3172H, E3081, E3181.

Trade Name : ORBITA
Test Standards : EN 56022:2010
EN 56024:2010

The referred test report(s) show that the product complies with the essential requirements in the above listed standards. The applicant is authorized to use this certificate in connection with the EC declaration of conformity according to Annex 1 of the Directive.

CE

Test Laboratory
SEM.Test Compliance Service Co., Ltd.
3/F, Jinbao Commerce Building, Xin'an Fanshen Road,
Bao'an District, Shenzhen, P.R.C.
Date of Issue: 2013-02-21, 2013

This certificate of conformity is based on a single evaluation of the submitted sample(s) of the above mentioned product. It does not imply an assessment of the whole production and other relevant Directives have to be observed.

Tel.: +86-755-3366338 Fax: +86-755-3366339 E-mail: sem@semtest.com.cn Website: www.semtest.com.cn

VERIFICATION OF CONFORMITY
According to FCC Part 15B

Certificate No.: SEM13066069

Responsible Party's Name : ORBITA TECHNOLOGY CO.,LTD.
Address : Bldg B8, Xiufeng Industrial Zone, Buji, Longgang District, Shenzhen, China.
Manufacturer : ORBITA TECHNOLOGY CO.,LTD.
Address : Bldg B8, Xiufeng Industrial Zone, Buji, Longgang District, Shenzhen, China.

Description of Product : RF Card Lock
Model No. : E3010S, E3110S, E3060S, E3180S, E3011S, E3111S, E3090, E3190, E3030, E3330, E3031, E3131, E3041, E3141, E3091, E3191, E3033, E3333, E3050, E3350, E3021, E3121, F3020, F3120, F3220, F4020, E3070, E3370, E3060Z, E3180W, E3081Z, E3161Z, S3062Z, S3162Z, S3032, S3132, S3072H, S3172H, E3081, E3181.

Trade Name : ORBITA
Report No. : STR13068228E-3

Compliance With Part 15B of FCC Rules.
This device complies with Part 15 of the FCC Rules. Operation is subject to the following two conditions: (1) This device may not cause harmful interference, and (2) This device must accept any interference received, including interference that may cause undesired operation.

Responsible Party: _____ **Tested By:** _____

SEM.Test Compliance Service Co., Ltd.
3/F, Jinbao Commerce Building, Xin'an Fanshen Road,
Bao'an District, Shenzhen, P.R.C.

Responsible Party: _____ **Tested By:** _____
Name / Title: _____ Name / Title: _____
Date: _____ Date of Issue: _____

The Certification of Verification shows that the tested sample technically complies with the FCC Part 15. The certification applies to the tested sample above mentioned only and should not implied an assessment of the whole.

Tel.: +86-755-3366338 Fax: +86-755-3366339 E-mail: sem@semtest.com.cn Website: www.semtest.com.cn

Certificate CN1920257

SGS

The management system of
Shenzhen Orbita Technology Co., Ltd.
6/F Floor, Bldg. A3, Xiu Feng Industrial Zone, Longgang District, Shenzhen City, Guangdong Province, P.R. China

has been assessed and certified as meeting the requirements of
ISO 9001:2008

For the following activities
Design and assembly of intelligent door locks, digital safes

Further certification regarding the scope of the certificate and the applicability of ISO 9001:2008 requirements may be obtained by contacting the organization.

This certificate is valid from 11 February 2010 until 10 February 2013 and remains valid subject to satisfactory surveillance audits. The certification audit due before 29 January 2013 Issue 1. Certified with SGS since February 2010.

Authorized by

SGS Global Region 02 Services & Sector Certification
Business Services Post-Operational Performance Check (SAS) UK
4 rue de la Boissière 92011 Nanterre Cedex France
SGS 9001-01-1308
Page 1 of 1

micros Certificate

Orbita Technology **INTERFACE**

This document provides written confirmation that your interface software ORBITA, has been approved by MICROs-FIDELIO and is available for installation. The interface is listed to our price list, which contains all interfaces worldwide and is distributed to all our offices and dealers.

Product Name:	Orbita Technology
Interface Type:	KISS
Low-level protocol:	Full Duplex
Transport Layer:	TCP/IP
FKT Logo:	ORF
MF Part no.:	S005-104
Fidelio Protocol Driver:	FMS 2.1.1

The approval covers the following functionality of your software:

- Key Request (New Key, Duplicate Key)
- Key Delete

The interface is available with the following MICROs-Fidelio PMS versions:

- Suite8 PMS version 8.6.x onwards
- OPERA Suite PMS version 4.0.04.x onwards
- OPERA Suite PMS version 5.0.x
- Fidelio Front Office 6.20 / Suite7.14.x

We are looking forward to continue a successful business relationship with your company.

Yours sincerely,

MICROS-FIDELIO GmbH
January 03, 2011

FIDELIO/OPERA

Manufacturing facility



Manufacturing facility



Hotel references



More than 10,000 hotels ranging from 3 to 5 star,
covering 100 countries, using Orbital hotel products.