

NVR-EG08POE-1U4K1

8 Channel 2U Network Video Recorder



- Multi-core embedded processor
- Smart H.265+/H.265/Smart H.264+/H.264 support
- Built-in 8 port PoE
- Max. decoding capability: 6 × 1080p@30 fps.
- Perimeter Protection and Intelligent Motion Detect (supported by camera)
- 1 HDD, up to 10TB capacity

System Overview

The NVR-EG08POE-1U4K1 is the newest entry in IC Realtime's Edge lineup. The NVR features a built-in 8 port PoE, H.265 support as well as a 10GB HDD storage support. In addition, the NVR is able to utilize Perimeter Protection and Intelligent Motion Detection when used with IPMX, IPFX and IPEL series IC Realtime AI enabled cameras. It is also ONVIF compliant, enabling interoperability with third party IP cameras.

*All Edge series products come with a 7 year limited warranty

Functions

Perimeter Protection by camera

IC Realtime's Perimeter Protection features significantly improve detection accuracy. The benefits of Perimeter Protection include up to a 90% reduction in false alarms. Other advantages include a decrease in pixel count requirement for object detection, which translates into more efficiency with less strain on the system. Perimeter Protection options let you customize tripwires based on the object type and allow intelligent automation within a limited area of access such as pedestrian or vehicle-only zones. The combination of advanced AI analytics and real-time alerts maximizes efficiency & balance of the total systems capacity and resources resulting in greater surveillance system efficiency.

Interoperability

The camera conforms to the ONVIF (Open Network Video Interface Forum) specifications, ensuring interoperability between network video products regardless of manufacturer.

Smart H.265+

Smart H.265+ is the optimized implementation of the H.265 codec that uses a scene-adaptive encoding strategy, dynamic GOP, dynamic ROI, flexible multi-frame reference structure and intelligent noise reduction to deliver high-quality video without straining the network. Smart H.265+ technology reduces bit rate and storage requirements by up to 70% when compared to standard H.265 video compression.

iMD (Intelligent Motion Detect) by camera

This is an upgraded version of motion detection currently known as Intelligent Motion Detection (iMD). The upgraded Plus version greatly improves alarm accuracy by pre-loading a deep learning algorithm that recognizes people and vehicles. Motion detection alerts containing a human and/or vehicle intrusion event are now possible with up to 95% accuracy. Eliminate false alarms, save time and keep stress levels low knowing you're protected.

Technical Specification

System

Main Processor	Industrial-grade embedded processor
Operating System	Embedded LINUX

Video

Max IP Channels	8 Channels
-----------------	------------

Audio

Two-way Talk	1 Channel Input, 1 Channel Output
/Audio Compression	PCM; G711A; G711U; G726

Display

Interface	1 HDMI, 1 VGA (simultaneous)
Resolution	1920×1080, 1280×1024, 1280×720
Display Split	1, 4, 8, 9
OSD	Camera title, Time, Video loss, Camera lock, Motion detection, Recording
Decoding Capacity	1-channel 12MP@30 fps; 1-channel 8MP@30 fps; 2-channel 5MP@30 fps; 3-channel 4MP@30 fps; 6-channel 1080p@30 fps

Recording

Video Compression	Smart H.265; H.265; Smart H.264; H.264
Image Resolution	12MP; 8MP; 5MP; 4MP; 3MP; 2MP; 720p; D1
Bandwidth	Access: 80 Mbps Storage: 80 Mbps Forward: 60 Mbps
Bit Rate	16Kbps ~ 20Mbps Per Channel
Record Mode	Manual, Schedule (Regular, Motion Detection, Alarm, IVS), Stop
Record Interval	1 ~ 120 min (default: 60 min), Pre-record: 1 ~ 30 sec, Post-record: 10 ~ 300 sec

Intelligence

General IVS	Tripwire, Intrusion (Supported by camera)
Perimeter Protection	4 channels, Tripwire; intrusion (Recognition of human and vehicle) (Supported by camera)
Intelligent Motion Detect	4 channels, Human/ Vehicle Recognition (Supported by camera)
AI Search	Search by target classification (Human, vehicle)

Video Detection & Alarm

General Alarm	Recording, PTZ, Tour, Video Push, Email, Snapshot, Buzzer and Screen Tips
Abnormality Alarm	Motion Detection, MD Zones: 396 (22 × 18), Video Loss and Tampering
Intelligent Alarm	Perimeter Protection; iMD
Alarm Linkage	Recording; snapshot; buzzer; log; preset; email; tour

Playback & Backup

Search Mode	Time /Date, Alarm, MD and Exact Search (accurate to the second)
Playback Functions	Play, Pause, Stop, Rewind, Fast play, Slow Play, Next File, Previous File, Next Camera, Previous Camera, Full Screen, Backup Selection, Digital Zoom
Backup Mode	USB Device/Network

Network

Ethernet	1 × RJ-45, 10/100 Mbps self-adaptive Ethernet port
PoE	8 × PoE ports, 10/100 Mbps
Network Functions	HTTP, HTTPS, TCP/IP, IPv4/IPv6, UPnP, RTSP, UDP, SMTP, NTP, DHCP, DNS, IP Filter, PPPoE, DDNS, FTP, Alarm Server, IP Search
Max. User Access	128 users
Smart Phone	Android, iOS, iPhone
Interoperability	ONVIF (profile T/S/G); CGI; SDK

Storage

Internal HDD	1 SATA Port, Up to 10 TB capacity
External HDD	N/A

Auxiliary Interface

USB	2 USB Ports (1 front USB 2.0 port, 1 rear USB 2.0 port)
RS232	N/A
RS485	N/A

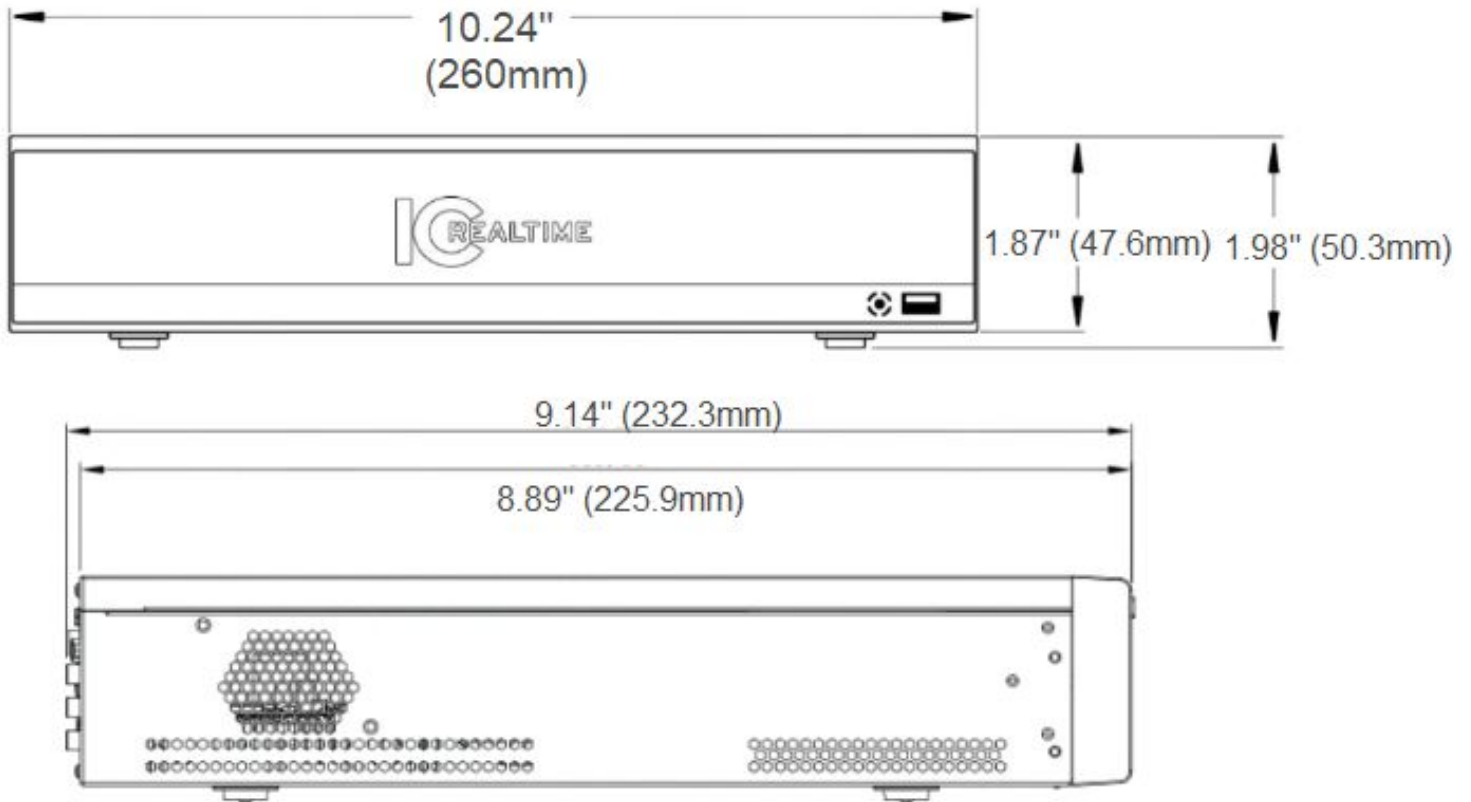
General

Power Supply	48/53 VDC, 2/1.8 A
Power Consumption	Total output of NVR is ≤ 10 W (without HDD) Total output power of PoE is 72 W, the maximum output power of a single port is 25.5 W
Smart Fan	Support, Temperature regulated
Working Environment	+14°F ~ +131°F (-10°C ~ +55°C), 86 ~ 106kpa
Storage Conditions	-4°F ~ +158°F (-20°C ~ +70°C), 0 ~ 90% RH
Installation Type	Rack mountable
Dimensions (W×D×H)	2U, 17.3" x 17.7" x 3.7" (440mm x 451.5mm x 94.9mm)
Weight	14.4 lb (6.55kg) (without HDD)

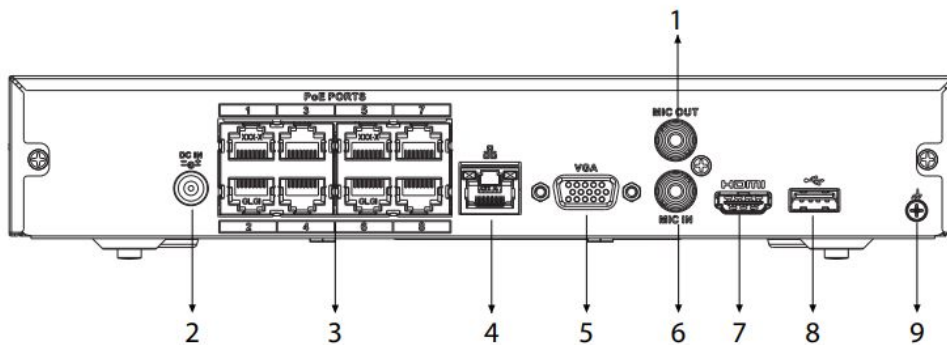
Certifications

Certifications	FCC: Part 15 Subpart B
----------------	------------------------

Dimensions (mm/in)



Panels



- | | | | |
|---|--------------------------|---|-------------------------|
| 1 | AUDIO OUT, RCA Connector | 2 | Power Input |
| 3 | PoE Ports | 4 | Network Port |
| 5 | VGA Port | 6 | AUDIO IN, RCA Connector |
| 7 | HDMI Port | 8 | USB Port |
| 9 | Ground | | |