

MNT-JUNCTIONBOX-8-B

Waterproof Junction Box

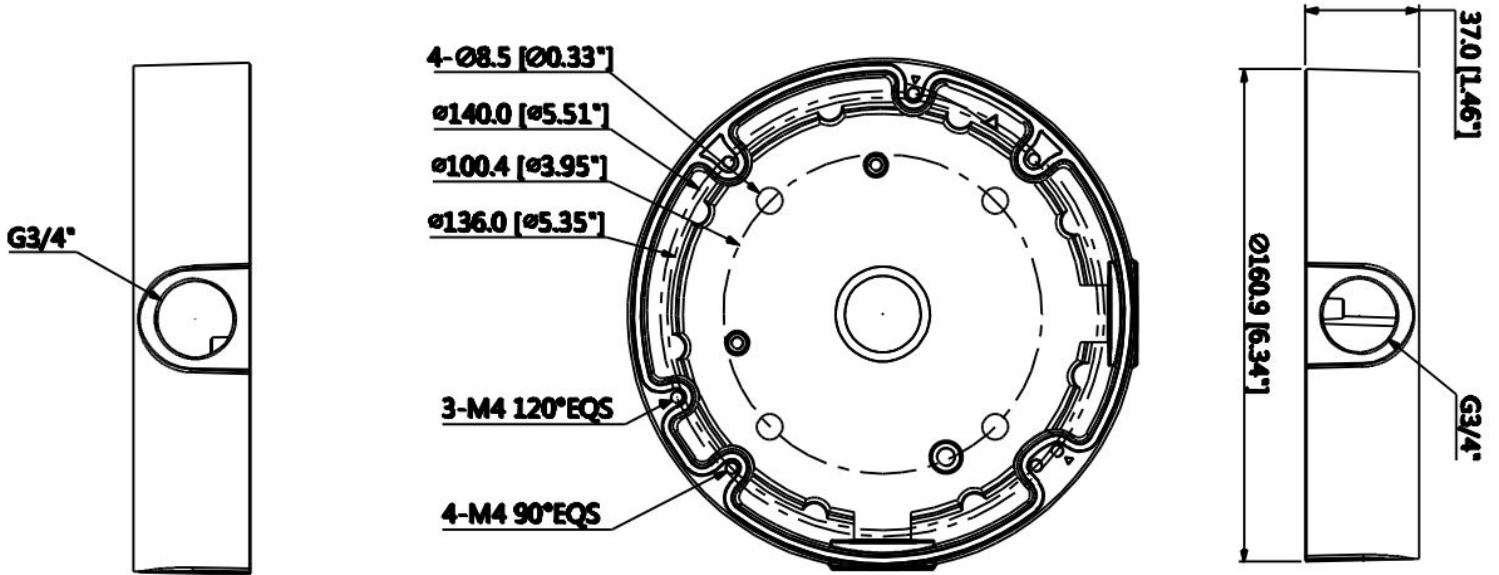


- Aesthetic design
- Material: Aluminum
- Internal safety cord
- Fits medium sized dome cameras

Technical Specification

Model	MNT-JUNCTIONBOX-8-B
Physical Properties	
Material	Aluminum
Color	Black
Dimension(W xH xD)	6.34"x1.46" (161mm x 37mm)
Weight	1.06lb (0.48kg)
Load Bearing	6.61lb (3.0kg)
Operating Temperature	-40°F~-140°F (40°C~60°C)
Humidity	0~90% RH
Inch Thread	G 3/4"
Included Hardware	Mounting screws, Internal Safety cord
Applicable Models:	Fits medium dome cameras, see Accessory selector..

Dimensions (mm/in)



Application

