

IVB-201C-V2

1-Channel Passive Video Balun



- Real-time transmission over UTP CAT5E/6 cable
- Passive, no need for power supply
- Excellent anti-thunder, anti-static and anti-interference capabilities
- Compatible format: HD-AVS/TVI/AHD/CVBS
- Female BNC connector, and pluggable screw terminal connections

Technical Specification

Model IVB-201C-V2

Properties

Transmission Signal	1-CH			
Network cable Type	UTP CAT5E/6 (material: CU)			
Transmission Properties	HD AVS	720P : max.400m(1312.34ft)	1080P : max.250m(820.21ft)	4MP/4K : max.180m(590.55ft)
	TVI	720P : max.250m(820.21ft)	1080P : max.250m(820.21ft)	4MP/4K : max.180m(590.55ft)
	AHD	720P : max.400m(1312.34ft)	1080P : max.250m(820.21ft)	4MP/4K : max.180m(590.55ft)

Video Transmission Properties

Coaxial Video Connector	BNC-M
Connection	RJ45
Compatible Format	HD-AVS/TVI/AHD/CVBS
Resolution	720P/1080P/4MP/5MP/4K

Physical Properties

Weight	40g (0.09lb) (1 pair)
Dimension(LxWxH)	173.8mmx19.5mmx21mm (6.84"x0.77"x0.83")
Shell	ABS
Color	Black
Operating Temperature	-30°C~+70°C(-22°F~+158°F)
Operating Humidity	<95% RH
Storage Temperature	-40°C~+80°C(-40°F~+176°F)

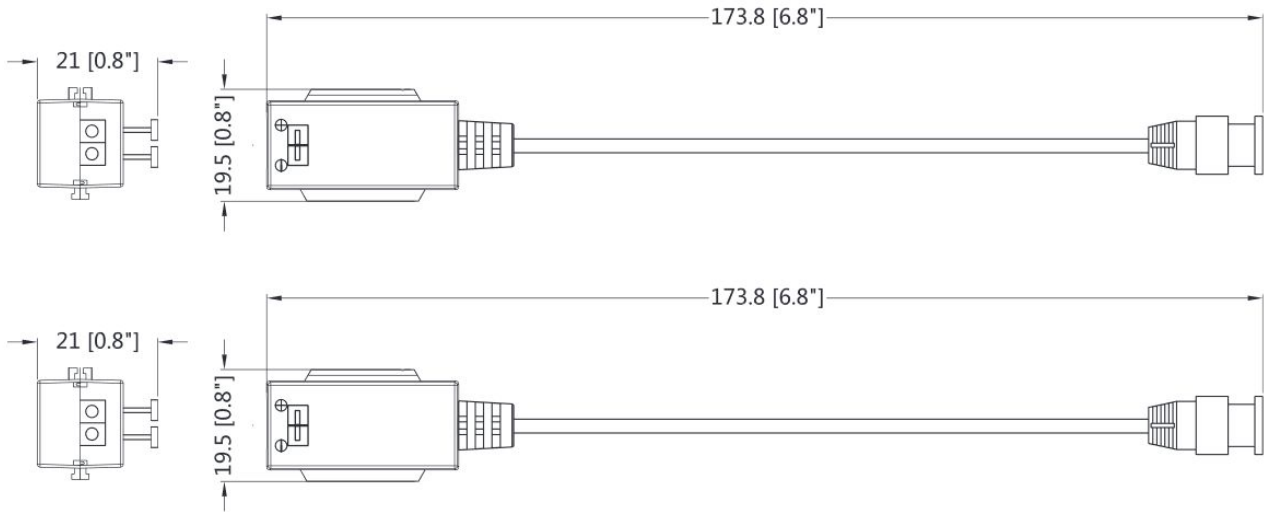
Impedance

BNC Male Impedance	75 ohms
UTP Cable Impedance	100 ohms

Protection

ESD	1a contact discharge electricity level 3
	1b air discharge electricity level 3
	Per: IEC61000-4-2
UTP Cable Connector	2KV(different-mode), 4KV(common-mode)
	Per: IEC61000-4-5

Dimensions (mm/in)



Application

