

IPMX-B40F-ADW1

4MP Active Deterrence Bullet Network Camera



- 4MP, 1/2.7" CMOS image sensor, low illuminance, high definition image, 2.8mm fixed lens
- H.265 & H.264 triple-stream encoding
- 4MP (2688 × 1520) @25/30 fps
- Active Deterrence: Built-in Siren, Red and Blue LEDs
- Built-in Mic and 2-Way Talk
- Intelligent Motion Detect and Perimeter Protection
- Starlight support, Warm White LEDs, Full color night illumination, max distance 130ft
- 256GB Micro SD Support, IP67, PoE

System Overview

The IPMX-B40F-ADW1 is the first in IC Realtime's Active Deterrence IP Cameras. This 4MP bullet camera is capable of 4MP@ 25FPS, H.265 support and full color night vision with its built in Warm Light LEDs. The Active Deterrence line of cameras feature a triggerable, built-in Red and Blue warning lights and speaker to deter unwanted personnel from the area.

The IPMX-B40F-ADW1 also comes with a suite of AI features to compliment its Active Deterrence function. With Intelligent Motion Detect (iMD) and Perimeter Protection technology, you can filter moving objects as vehicle or person on motion detect or when setting up virtual tripwire and intrusion zones. This helps reduce false alarms and streamline the playback search functionality as well as link with the Active Deterrence features to warn and potentially deter intruders.

Functions

Siren and Light Active Deterrence

IC Realtime active deterrence network cameras feature built-in red and blue warning lights and multiple sounds and voices for audio deterrence and warning. When a configured event occurs, these features can be triggered to allow for an effective deterrence and intervention against unwanted intruders.

Protection (IP67, wide voltage)

The camera allows for $\pm 30\%$ input voltage tolerance. The camera's outstanding reliability is unsurpassed due to its rugged design. The camera is protected against water and dust with IP67 rating, making it suitable for indoor or outdoor environments. It also features $\pm 30\%$ input voltage tolerance, allowing it to operate under unstable power supply conditions. Its 4KV lightning rating provides protection from the effects of a lightning strike.

Perimeter Protection

IC Realtime's Perimeter Protection features significantly improve detection accuracy. The benefits of Perimeter Protection include up to a 90% reduction in false alarms. Other advantages include a decrease in pixel count requirement for object detection, which translates into more efficiency with less strain on the system. Perimeter Protection options let you customize tripwires based on the object type and allow intelligent automation within a limited area of access such as pedestrian or vehicle-only zones. The combination of advanced AI analytics and real-time alerts maximizes efficiency & balance of the total systems capacity and resources resulting in greater surveillance system efficiency.

Starlight Technology

Featuring Starlight Technology, this camera is ideal for applications with challenging lighting conditions. Its low-light performance delivers usable video with minimal ambient light. Even in extreme low-light conditions, Starlight Technology is capable of delivering color images in near complete darkness (0.003 lux).

iMD (Intelligent Motion Detect)

This is an upgraded version of motion detection currently known as Intelligent Motion Detection (iMD). The upgraded Plus version greatly improves alarm accuracy by pre-loading a deep learning algorithm that recognizes people and vehicles. Motion detection alerts containing a human and/or vehicle intrusion event are now possible with up to 95% accuracy. Eliminate false alarms, save time and keep stress levels low knowing you're protected.

Full Color at Night

Utilizing a high-performance sensor and large aperture lens, IC Realtime's Full-color LED technology can display clear colorful image in the environment of ultra low illuminance. With this photosensitivity technology, the camera can capture more available light, and display more colorful image details.

Technical Specification

Camera

Image Sensor	1/2.7"4 Megapixel progressive CMOS
Effective Pixels	2688 (H) × 1520 (V)
RAM/ROM	512MB / 128MB
Scanning System	Progressive
Electronic Shutter Speed	Auto/Manual 1/3 s–1/100,000 s
Minimum Illumination	0.003 Lux @ F1.0
S/N Ratio	> 56 dB
Illumination Distance	Up to 131.2 ft (40 m)
Illumination On/Off Control	Auto / Manual
Illumination LEDs	2 (Warm white)

Lens

Lens Type	Fixed-focal				
Mount Type	M12				
Focal Length	2.8mm				
Max. Aperture	F1.0				
Angle of View	Horizontal:103°; vertical: 53°;				
Close Focus Distance	3.9 ft (1.2 m)				
DORI Distance	Lens	Detect	Observe	Recognize	Identify
	2.8mm	221 ft	88 ft	44 ft	22 ft

Pan/Tilt/Rotation

Pan/Tilt/Rotation Range	Pan:0°~360°; Tilt:0°~90°; Rotation:0°~360°
-------------------------	--

Intelligence

Perimeter Protection	Tripwire; intrusion (Supports human and vehicle recognition)
Intelligent Motion Detect	Supports human and vehicle recognition
Intelligent Search	Works together with AI-enabled NVRs to perform refined intelligent search, event extraction and merging to event videos

Video

Compression	H.265; H.264; H.264H; H.264B; MJPEG (sub stream only)
Streaming Capability	3 Streams
Resolution	4M (2688 × 1520); 4M (2560 × 1440); 3M (2304 × 1296); 1080p (1920 × 1080); 1.3M (1280 × 960); 720p (1280 × 720); D1 (704 × 576/704 × 480); VGA (640 × 480); CIF (354 × 288/354 × 240)
Frame Rate	Main stream: 2688 × 1520@1–25/30 fps Sub stream: 704 × 576@1–25 fps/704 × 480@1–30 fps Third stream: 1280 × 720@1–25/30 fps
Bit Rate Control	CBR/VBR
Bit Rate	H.264: 3 Kbps–8192 Kbps H.265: 3 Kbps–8192 Kbps
Day/Night	Color/B/W
BLC Mode	BLC / HLC / WDR (120dB)
White Balance	Auto/natural/street lamp/outdoor/manual/regional custom
Gain Control	Auto / Manual
Noise Reduction	3D DNR

Motion Detection	Off / On (4 areas)
Region of Interest	Off / On (4 areas)
Smart IR	Support
Flip	0°/90°/180°/270° (Supports 90°/270° with 1920 × 1080 resolution and lower)
Mirror	Off / On
Privacy Masking	Off / On ((4 areas)

Audio

Compression	G.711a; G.711Mu; G726
-------------	-----------------------

Network

Ethernet	RJ-45 (10/100Base-T)
Protocol	IPv4; IPv6; HTTP; TCP; UDP; ARP; RTP; RTSP; RTCP; RTMP; SMTP; FTP; SFTP; DHCP; DNS; DDNS; QoS; UPnP; NTP; Multicast; ICMP; IGMP; NFS; SAMBA; PPPoE; SNMP
Cyber Security	Video encryption; firmware encryption; configuration encryption; Digest; WSSE; account lockout; security logs; IP/MAC filtering; generation and importing of X.509 certification; syslog; HTTPS; 802.1x; trusted boot; trusted execution; trusted upgrade
Interoperability	ONVIF (Profile S/Profile G/Profile T); CGI
Streaming Method	Unicast / Multicast
Max. User Access	20 Users (Total bandwidth: 64 M)
Edge Storage	FTP; SFTP; Micro SD card max. 256 GG; NAS
Web Viewer	IE, Chrome, Firefox, Safari
Management Software	SmartICRSS, DSS
Smart Phone	IOS, Android

Certifications

Certifications	FCC Part 15, Subpart B
----------------	------------------------

Interface

Audio Interface	Built-in Microphone; Audio In/ Out (RCA ports)
RS485	N/A
Alarm	1 channel in: 5mA 3V–5V DC 1 channel out: 300mA 12V DC

Electrical

Power Supply	12V DC/PoE (802.3af)
Power Consumption	Basic power consumption: 2.8W (12V DC); 3.4W (PoE) Max. power consumption (H.265 + warm LED + IVS + siren + red and blue lights flashing): 8.1W (12VDC); 9.7W (PoE)

Environmental

Operating Conditions	-40°F to +140°F (-40°C to +60°C)/less than 95%
Storage Conditions	-40°F to +140°F (-40°C to +60°C)
Ingress Protection	IP67

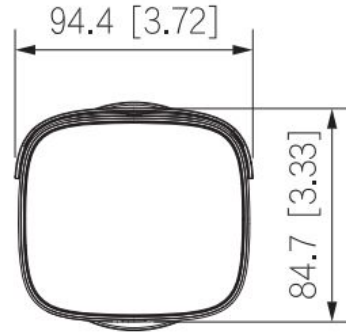
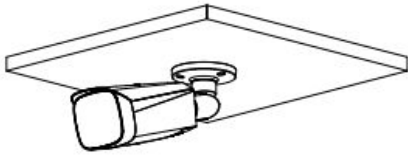
Construction

Casing	Metal
Dimensions	11.4" × 3.7" × 3.3" (288.4 mm × 94.4 mm × 84.7 mm)
Net Weight	2.2 lb (1.0 kg)
Gross Weight	2.7 lb (1.23 kg)

Accessories

Dimensions (mm/in)

Included Mount



MNT-JUNCTIONBOX-1

