

IPEL-P5030X-IRW1

5 Megapixel Outdoor, Full-Size 30x Network IR PTZ Dome Camera



- 1/1.9" 5 Megapixel STARVIST™ CMOS
- Powerful 30x optical zoom
- H.265 Encoding
- Max. 20fps@6M, 25/30fps@5M/3M(Realtime)
- Auto tracking and IVS
- Supports Hi-PoE
- IR distance up to 656ft
- IP67

System Overview

A new, and sleek designed PTZ, with the critically acclaimed Advanced Intelligence Video Analytics - the IPEL-P5030X -IRW1 PTZ camera.

This camera is a fully weatherproof, day/night, high resolution IP camera. This PTZ adopts a unique design by physically separating the IR LEDs from the camera block itself, resulting in perfect night time imaging without causing issues such as IR reflection. The optics on this camera are a 30X powered zoom (6 - 180MM), delivering a crystal clear 5 Megapixel image. 0 lux is not a problem for this camera, as the high intensity IR LED's are capable of illumination at distances up to 300'.

This camera itself is ONVIF Profile S compliant, and can work as a standalone camera, or in conjunction with an NVR to achieve longer recording durations. By complying with ONVIF specifications, this device is also well suited to integrate with a wide array of VMS.

Functions

Auto-tracking

This feature controls the pan/tilt/zoom actions of the camera to automatically track an object in motion and to keep it in the scene. The tracking action can be triggered manually or automatically by defined rules. Once a rule is triggered, the camera can zoom in and track the defined target automatically.

HEVC (H.265)

The H.265 (ITU-T VCEG) video compression standard offers double the data compression ratio at the same level of video quality, or substantially improved video quality at the same bit rate, as compared to older video compression technologies. H.265 offers such impressive compression by expanding the pattern comparison and difference coding, improving motion vector prediction and motion region merging, and incorporating an additional filtering step called sample-adaptive offset filtering.

PFA Technology

PFA technology has innovatively introduced new methods of judgment to ensure the accuracy and predictability of the direction of subject distance adjustment. The result is a set of advanced focusing algorithms. PFA ensures clarity of the image throughout the process of zooming and shortens focus time. The realization of PFA technology substantially improves user experience and increases product value.

Environmental

With a temperature range of -40 °C to +70 °C (-40 °F to +158 °F), the camera is designed for extreme temperature environments. Subjected and certified to rigorous dust and water immersion tests, the IP67 rating makes it suitable for demanding outdoor applications.

Protection

The camera allows for ±25% input voltage tolerance, suitable for the most unstable conditions for outdoor applications. Its 8KV lightning rating provides effective protection for both the camera and its structure against lightning.

Interoperability

The camera conforms to the ONVIF (Open Network Video Interface Forum) specifications, ensuring interoperability between network video products regardless of manufacturer.

Technical Specification

Camera

| | |
|--------------------------|--|
| Image Sensor | 1/1.9" STARVIS™ CMOS |
| Effective Pixels | 2560(H) x 1920(V), 5 Megapixels |
| RAM/ROM | 1024M/128M |
| Scanning System | Progressive |
| Electronic Shutter Speed | 1/1s~1/30,000s |
| Minimum Illumination | Color: 0.05Lux@F1.6; B/W: 0.005Lux@F1.6; 0Lux@F1.6 (IR on) |
| IR Distance | Distance up to 656ft (200m) |
| IR On/Off Control | Auto / Manual |
| IR LEDs | 10 |
| Wiper | Support |

Lens

| | | | | |
|----------------------|-----------------|---------|-----------|----------|
| Lens Type | 6mm~180mm | | | |
| Max. Aperture | F1.6 ~ F4.3 | | | |
| Angle of View | H: 61.2° ~ 2.1° | | | |
| Optical Zoom | 30x | | | |
| Focus Control | Auto/Manual | | | |
| Close Focus Distance | 100mm~ 1000mm | | | |
| DORI Distance | Detect | Observe | Recognize | Identify |
| | 7832ft | 2953ft | 1476ft | 738ft |

PTZ

| | |
|----------------------|---|
| Pan/Tilt Range | Pan: 0° ~ 360° endless; Tilt: -20° ~ 90°, auto flip 180° |
| Manual Control Speed | Pan: 0.1° ~ 240° /s; Tilt: 0.1° ~ 120° /s |
| Preset Speed | Pan: 240° /s; Tilt: 200° /s |
| Presets | 300 |
| PTZ Mode | 5 Pattern, 8 Tour, Auto Pan ,Auto Scan |
| Speed Setup | Human-oriented focal Length/ speed adaptation |
| Power up Action | Auto restore to previous PTZ and lens status after power failure |
| Idle Motion | Activate Preset/ Scan/ Tour/ Pattern if there is no command in the specified period |
| Protocol | ICR-SD, Pelco-P/D (Auto recognition) |

Intelligence

| | |
|--------------------------------|---|
| Event Trigger | Motion detection, Video tampering , Scene changing, Network disconnection, IP address conflict, Illegal Access, Storage anomaly |
| Auto Tracking | Support |
| IVS | Tripwire, Intrusion, Abandoned/Missing Object |
| Advanced Intelligent Functions | Face Detection, Heat Map |

Video

| | |
|----------------------|--|
| Compression | H.265 / H.264 |
| Streaming Capability | 3 Streams |
| Resolution | 6M(3072x2048)/5M(2560x1920)/3M(2048x1536)/1080P(1920x1080)/1.3M(1280x960)/720P(1280x720)/D1(704x576/704x480)/CIF(352x288/352x240) |
| Frame Rate | Main stream: 6M(1~20fps)/5M/3M(1~25/30fps), 1080P/1.3M/720P(1~50/60fps) Sub stream1: D1/CIF(1 ~ 25/30fps) Sub stream2: 5M/1080P/1.3M/720P/D1/CIF(1~25/30fps) |
| Bit Rate Control | CBR/VBR |

| | |
|--------------------------------------|------------------------------------|
| Bit Rate | H.265/H.264: 448K ~ 8192Kbps |
| Day/Night | Auto(ICR) / Color / B/W |
| Backlight Compensation | BLC / HLC / DWDR |
| White Balance | Auto, ATW, Indoor, Outdoor, Manual |
| Gain Control | Auto / Manual |
| Noise Reduction | Ultra DNR (2D/3D) |
| Motion Detection | Support |
| Region of Interest | Support |
| Electronic Image Stabilization (EIS) | Support |
| Defog | Support |
| Digital Zoom | 16x |
| Flip | 180° |
| Privacy Masking | Up to 24 areas |

Audio

| | |
|-------------|--|
| Compression | G.711a/G.711Mu/AAC/G.722/ G.726/MPEG2-L2 |
|-------------|--|

Network

| | |
|---------------------|--|
| Ethernet | RJ-45 (10Base-T/100Base-TX) |
| Protocol | IPv4/IPv6, HTTP, HTTPS, SSL, TCP/IP, UDP, UPnP, ICMP, IGMP, SNMP, RTSP, RTP, SMTP, NTP, DHCP, DNS,PPPOE,DDNS,FTP, IP Filter,QoS,Bonjour,802.1x |
| Interoperability | ONVIF Profile S&G, CGI |
| Streaming Method | Unicast / Multicast |
| Max. User Access | 20 users |
| Edge Storage | NAS (Network Attached Storage),Local PC for instant recording, Micro SD card 256GB |
| Web Viewer | IE, Chrome, Firefox, Safari |
| Management Software | SmartICRSS, DSS |
| Smart Phone | IOS, Android |

Certifications

| | |
|----------------|---|
| Certifications | CE: EN55032/EN55024/EN50130-4; FCC: Part15 subpartB,ANSI C63.4- 2014 UL: UL60950-1+CAN/CSA C22.2.No.60950-1 |
|----------------|---|

Interface

| | |
|-----------------|-----------------------------|
| Video Interface | 1 port(BNC, 1.0V[p-p], 75Ω) |
| Audio Interface | 1/1 channel In/Out |
| RS485 | 1 |
| Alarm I/O | 7/2 |

Electrical

| | |
|-------------------|------------------------|
| Power Supply | AC24V/3A(±25%), Hi-PoE |
| Power Consumption | 24W, 38W (IR on) |

Environmental

| | |
|----------------------|---|
| Operating Conditions | -40° F ~ +158° F (-40° C ~ +70° C) / Less than 95% RH |
| Storage Conditions | -40° F ~ +158° F (-40° C ~ +70° C) / Less than 95% RH |
| Ingress Protection | IP67 |
| Vandal Resistance | N/A |

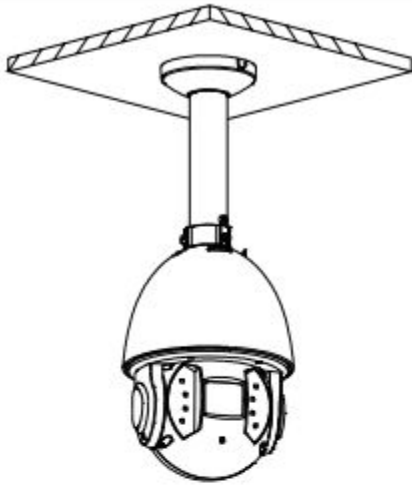
Construction

| | |
|--------------|---------------------------------|
| Casing | Metal |
| Dimensions | 9.45" x 15.04" (240mm x 382 mm) |
| Net Weight | 14.88lb(6.75kg) |
| Gross Weight | 22.27lb(10.1kg) |

Accessories

Dimensions (mm/in)

MNT-CEILING-MPA



MNT-POL303

