

ICR-300H4-V2

2MP Starlight HD-AVS IR Eyeball Camera



- Max. 30fps@1080P
- HD/SD output switchable
- Super Adapt, 120dB WDR, built-in mic
- Starlight support, 2.7-13.5mm motorized lens
- Max. IR length 196ft, Smart IR
- IP67, DC12V±30%

System Overview

IC Realtime's ICR-300H4-V2 provides 1080P full HD video quality and the simplicity of reusing existing coaxial infrastructure with HD-AVS. This Starlight HD-AVS camera features a 2.7 mm–13.5mm motorized lens, a 120dB true WDR and 197 feet of IR illumination. This new version also adds Super Adapt, which automatically changes the camera settings based on the environment.

The camera comes equipped with a built-in microphone and HD/SD support (AVS/ CVBS) with a switchable output. Its superior image performance makes the camera an ideal choice for mid to large-size businesses and projects where both highly reliable surveillance and construction flexibility are needed.

Functions

4 Signals over 1 Coaxial Cable

HD-AVS technology supports 4 signals to be transmitted over 1 coaxial cable simultaneously, i.e. video, audio*, data and power. Dual-way data transmission allows the HD-AVS camera to interact with the HCVR, such as sending control signal or triggering alarm.

*Audio input is available for some models of HD-AVS cameras.

Simplicity

HD-AVS technology inherits the born feature of simplicity from traditional analog surveillance system, making itself a best choice for investment protection. HD-AVS system can seamlessly upgrade the traditional analog system without replacing existing coaxial cabling. The plug and play approach enables full HD video surveillance without the hassle of configuring a network.

Starlight

Featured with Starlight Technology, the camera is ideal for applications with challenging light conditions. Its low light performance delivers usable video with minimal ambient light. Even in extreme low light conditions, Starlight Technology is capable of delivering color images in nearly complete darkness.

Wide Dynamic Range

Embedded with industry leading wide dynamic range (WDR) technology, vivid pictures are achieved even in the most intense contrast lighting conditions. True WDR (120dB) optimizes both the bright and dark areas of a scene at the same time to provide usable video.

Super Adapt

This camera comes equipped with an intelligent algorithm, which enables the camera to automatically adjust parameters based on the external environment to present the optimal image.

Protection

The camera's outstanding reliability is unsurpassed due to its rugged design. The camera is protected against water and dust with IP67 ranking, making it suitable for indoor or outdoor environments.

Technical Specification

Camera

Image Sensor	1/2.8" CMOS
Effective Pixels	1920(H)×1080(V), 2MP
Scanning System	Progressive
Electronic Shutter Speed	NTSC: 1/3s~1/100,000s PAL: 1/4s~1/100,000s
Minimum Illumination	0.004Lux/F1.6, 30IRE, 0Lux IR on
S/N Ratio	More than 65dB
IR Distance	Up to 197ft (60m)
IR On/Off Control	Auto / Manual
IR LEDs	2

Lens

Lens Type	Motorized lens / Fixed iris				
Mount Type	Board-in				
Focal Length	2.7-13.5mm				
Max. Aperture	F1.6				
Angle of View	H: 108.7°~28.7°				
Focus Control	Auto / Manual				
Close Focus Distance	7.87"(200mm)				
DORI Distance	Lens	Detect	Observe	Recognize	Identify
	Wide	144ft	59ft	30ft	13ft
	Tele	502ft	200ft	102ft	49ft

Pan/Tilt/Rotation

Pan/Tilt/Rotation Range	Pan: 0° ~ 360° Tilt: 0° ~ 78° Rotation: 0° ~ 360°
-------------------------	---------------------------------------------------------

Video

Resolution	1080P (1920×1080)
Frame Rate	30fps@1080P
Video Output	1-channel BNC high definition video output / CVBS video output (DIP switch)
Day/Night	Auto switch by ICR
BLC Mode	BLC/WDR/HLC
WDR	120dB
Gain Control	Auto; manual
Noise Reduction	2D/3D
White Balance	Auto/Area WB
Smart IR	Auto / Manual

Certifications

Certifications	FCC Part 15 subpart B)
----------------	------------------------

Interface

Video Interface	1-channel BNC high definition video output / CVBS video output
Audio Interface	1ch in & Built-in Mic
RS485	N/A
Alarm	N/A

Electrical

Power Supply	DC 12V±30%
Power Consumption	Max 6.9W (12V DC, IR on)

Environmental

Operating Conditions	-22 °F to 140 °F (-30 °C~+60 °C); < 95% (non condensation)
Storage Conditions	-22 °F to 140 °F (-30 °C~+60 °C); < 95% (non condensation)
Ingress Protection & Vandal Resistance	IP67

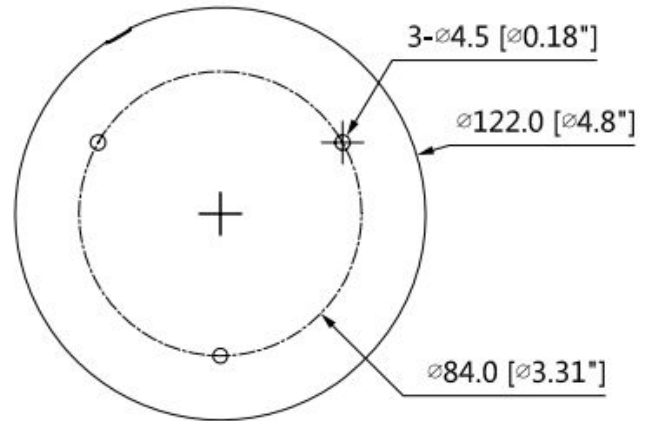
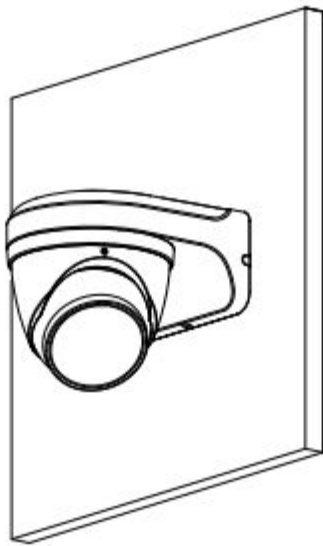
Construction

Casing	Aluminum
Dimensions	4.8"×4.2" (122mm×107mm)
Net Weight	1.39lb (0.63kg)
Gross Weight	1.83 lb (0.83 kg)

Mounting

Dimensions (mm/in)

MNT-IPMINIDOME-WALL



MNT-JUNCTIONBOX-1

