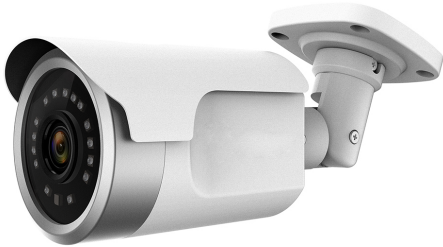


DVA-A440

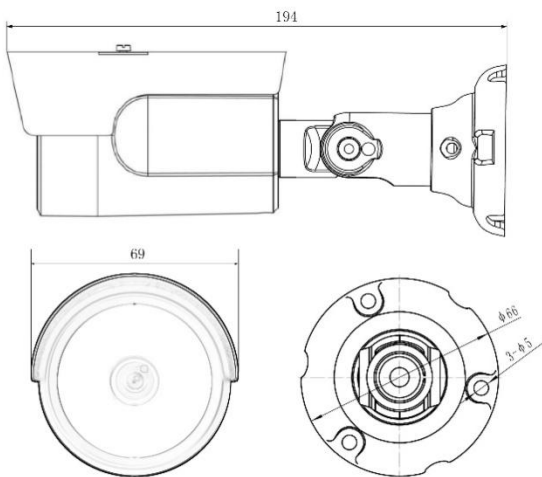
4.0MP Starlight HD Analog Bullet Camera



Key features

- 1/ 2.5" CMOS Sensor
- All-in-one coaxial HD output, clear and delicate images
- Illuminance, 0.05Lux@ (F1.6, AGC ON), 0LUX with IR
- Support OSD menu control, suitable for user-defined settings
- Adaptive Digital Noise Reduction, 2D-DNR
- Support coaxial control (UTC)
- Video 6KV lightning protection, power supply large capacitor design
- Support DC 6-15V wide voltage supply
- Ingress Protection IP66

Dimension(mm)



Specifications

Camera	
Image Sensor	1/2.5" 4.0MP CMOS Sensor
Image Resolution	2592x1520
Effective Pixels	4.0MP
TV System	PAL/NTSC
Electronic Shutter	Auto
S/N Ratio	≥37dB
Min. Illumination	0.05Lux@ (F1.6, AGC ON), 0LUX with IR
Scanning System	Progressive Scan
Lens	
Lens	Board Lens 4mm/F1.6
Lens Type	Fixed
Auto Iris Support	N/A
Night Vision	
Infrared SMD LED	14μ x 18 PCS
Infrared Distance	30m
IR Cut Filter	Yes
IR Status	Under 0.1 Lux by CDS
IR Power On	CDS Auto Control
Day & Night	Auto (ICR) / Color / B&W
Camera Features	
OSD Menu Language	Optional
White Balance	Auto
Gain Control	Auto
Noise Reduction	2D DNR
Picture Adjustment	N/A
WDR	Yes
OSD Support	Optional
UTC	Support
General	
Housing	Metal
Bracket	Yes
Operation Temperature	-10°C ~ 50°C Rh 95% Max
Storage Temperature	-20°C ~ 60°C Rh 95% Max
Power Source	DC12V±10%,230mA
Dimension	215x100x105mm
Weight	≤480g