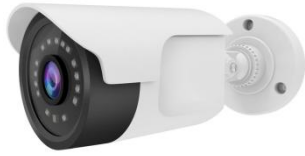


# DVA-A228-P

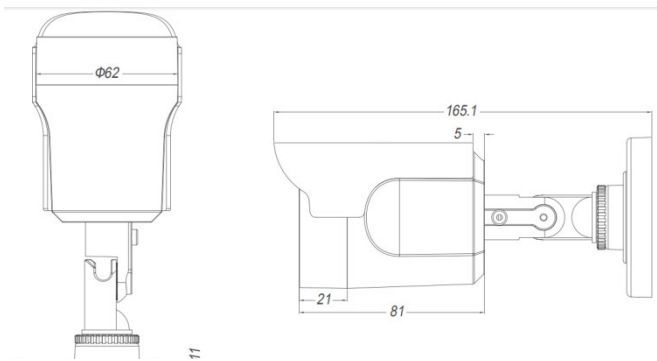
2.0MP HD Analog Bullet Camera



## Key features

- 1/3" CMOS Sensor
- Full HD resolution 1920 x 1080
- 15PCS IR LEDs, IR Range 20m.
- Support TVI,AHD, CVI, CVBS output
- UTC Coaxial Control
- Easy installation, HD video transfer over coaxial cable
- Ingress Protection IP66

## Dimension(mm)



## Specifications

| Specifications         |                                       |
|------------------------|---------------------------------------|
| <b>Camera</b>          |                                       |
| Image Sensor           | 1/3" CMOS Sensor                      |
| Image Resolution       | 1920x1080                             |
| Effective Pixels       | 2.0MP                                 |
| TV System              | PAL/NTSC                              |
| Electronic Shutter     | 1/10s~1/100,000s                      |
| S/N Ratio              | ≥50dB                                 |
| Min. Illumination      | 0.05Lux@ (F2.0, AGC ON), 0LUX with IR |
| Scanning System        | Progressive Scan                      |
| <b>Lens</b>            |                                       |
| Lens                   | Board Lens 2.8mm/F2.0                 |
| FOV                    | H: 73.9°, V: 40° D: 86°               |
| Lens Type              | Fixed                                 |
| Auto Iris Support      | N/A                                   |
| <b>Night Vision</b>    |                                       |
| Infrared SMD LED       | 10μ x 15 PCS                          |
| Infrared Distance      | 20m                                   |
| IR Cut Filter          | Yes                                   |
| IR Status              | Under 10 Lux by CDS                   |
| IR Power On            | CDS Auto Control                      |
| Day & Night            | Auto (ICR) / Color / B&W              |
| <b>Camera Features</b> |                                       |
| OSD Menu Language      | Support                               |
| White Balance          | Auto                                  |
| Gain Control           | Auto                                  |
| Noise Reduction        | N/A                                   |
| Picture Adjustment     | N/A                                   |
| WDR                    | N/A                                   |
| OSD Support            | Not Support                           |
| UTC                    | Support                               |
| <b>General</b>         |                                       |
| Housing                | Plastic                               |
| Bracket                | Yes                                   |
| Operation Temperature  | -20°C ~60°C                           |
| Working Humidity       | 10% ~ 90%                             |
| Power Source           | DC12V±10%,250mA                       |
| Dimension              | 180x75x85mm                           |
| Weight                 | ≤230g                                 |