

KEYED REMOVABLE MULLION

F90KR & 90KR

The Detex Keyed Removable Mullions are very durable, low cost mullions designed for use with rim exit devices on standard and fire-rated pairs of doors. The unique design of the latching head allows the mullion to be removed in seconds with one key turn, and then to be snapped back into place without needing the key.



Benefits

- Mullion can be removed in seconds with one key turn, and easily snaps back into place without needing the key
- Simple, user-friendly operation
- Provides years of trouble-free service and protection
- Easily cut to fit most any size application (10' and smaller)
- Easy retrofit application
- Cylinder located inside the building to prevent tampering (cylinder sold separately)
- Easily adapted to any double door application
- Easy installation, no drilling of the mullion tube
- Standard primer gray coating allows for easy field painting

Features

- For use on standard and fire-rated pairs of doors
- Designed for heavy duty use
- Small profile base plate prevents interference when moving objects through doorway
- Locking head mounted to frame, not mullion
- Standard available for 7', 8' & 10' doors
- Fire Rated available for 7' & 8' doors

Options

- E - Electrified (only available for 7' and 8' doors - specify 90KREx7 or 90KREx8)
- H - Hurricane Rated (see H90R catalog page)

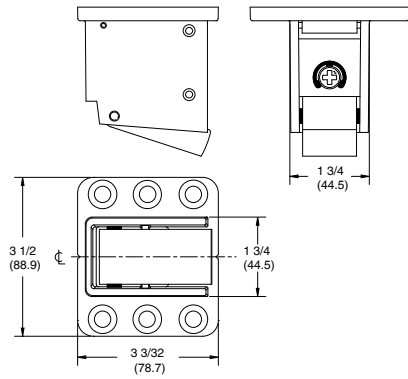
Accessories

- SHK1 - Strike Hook Kit (Std. with Fire Rated Mullion)

Technical Information

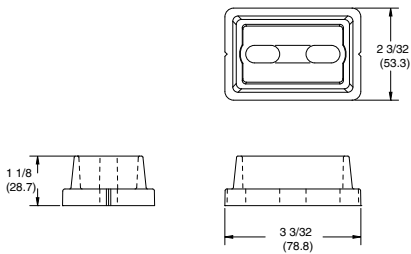
- 11 gauge, 2" x 3" steel mullion tube
- Base anchors included

Top Fitting



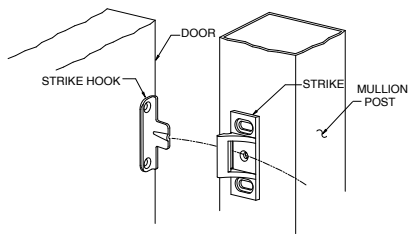
Top fitting has a latch that allows the mullion to be locked back into place without use of the key.

Sill or Bottom Fitting

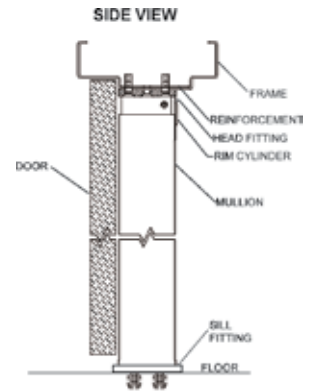


The sill or bottom fitting has a small footprint and, once installed, all fasteners are hidden by the mullion tube.

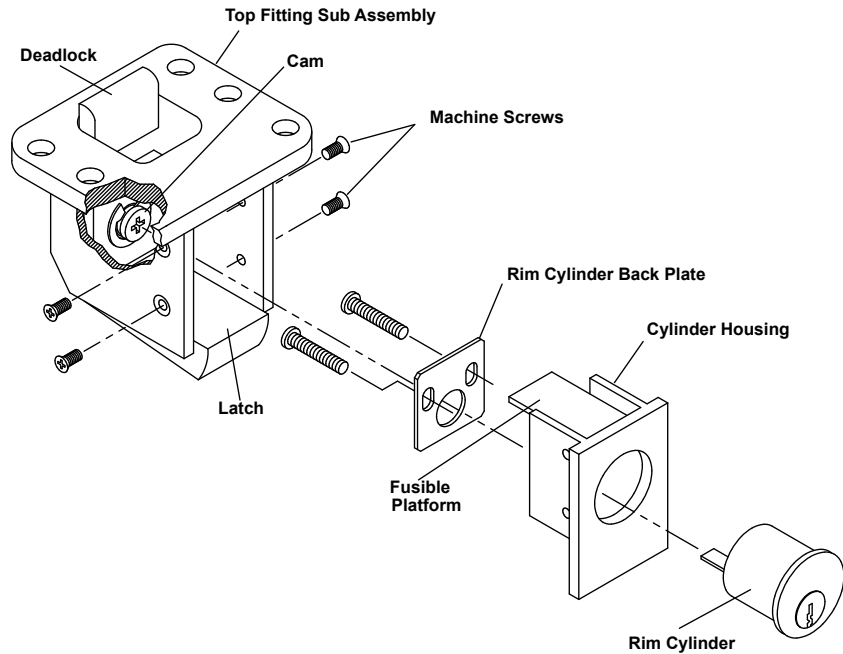
Strike Hook Installation



Riser Diagram



Cylinder Installation



Listings and Approvals



UL and Warnock Hersey Listed for 3 hour fire rated pairs of doors up to 8'x8'



WHI labeled for use with other manufacturers' fire exit hardware (Call for non-Detex product applications)

Detex Limited Warranty

3 Year Limited Manufacturer's Warranty

Where Trust is Built™
DETEx[®]
Life Safety, Security and Security Assurance

Detex Corporation
 302 Detex Drive
 New Braunfels, Texas 78130-3045 USA
 PH. (830) 629-2900
 (800) 729-3839
 FAX (800) 653-3839
 http://www.detex.com
 USA Sales:
 marketing@detex.com
 International Sales:
 export@detex.com

Cancer & Reproductive Harm - www.detex.com/prop65