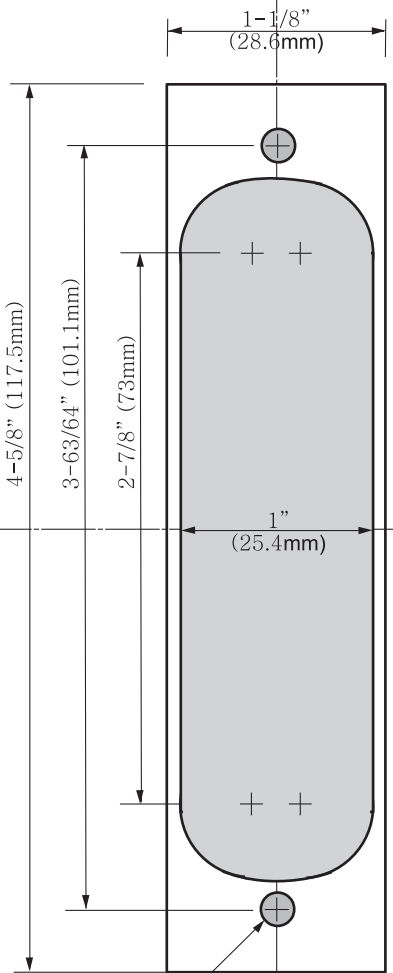


LOCK FUNCTION		OUTSIDE		INSIDE	
09	●	Cylinder Hole	●	Cylinder Hole	●
16	●	Thumb Turn Hole	●	Thumb Turn Hole	●
07	●				
18	●				

# DOOR PREPARATION CHART



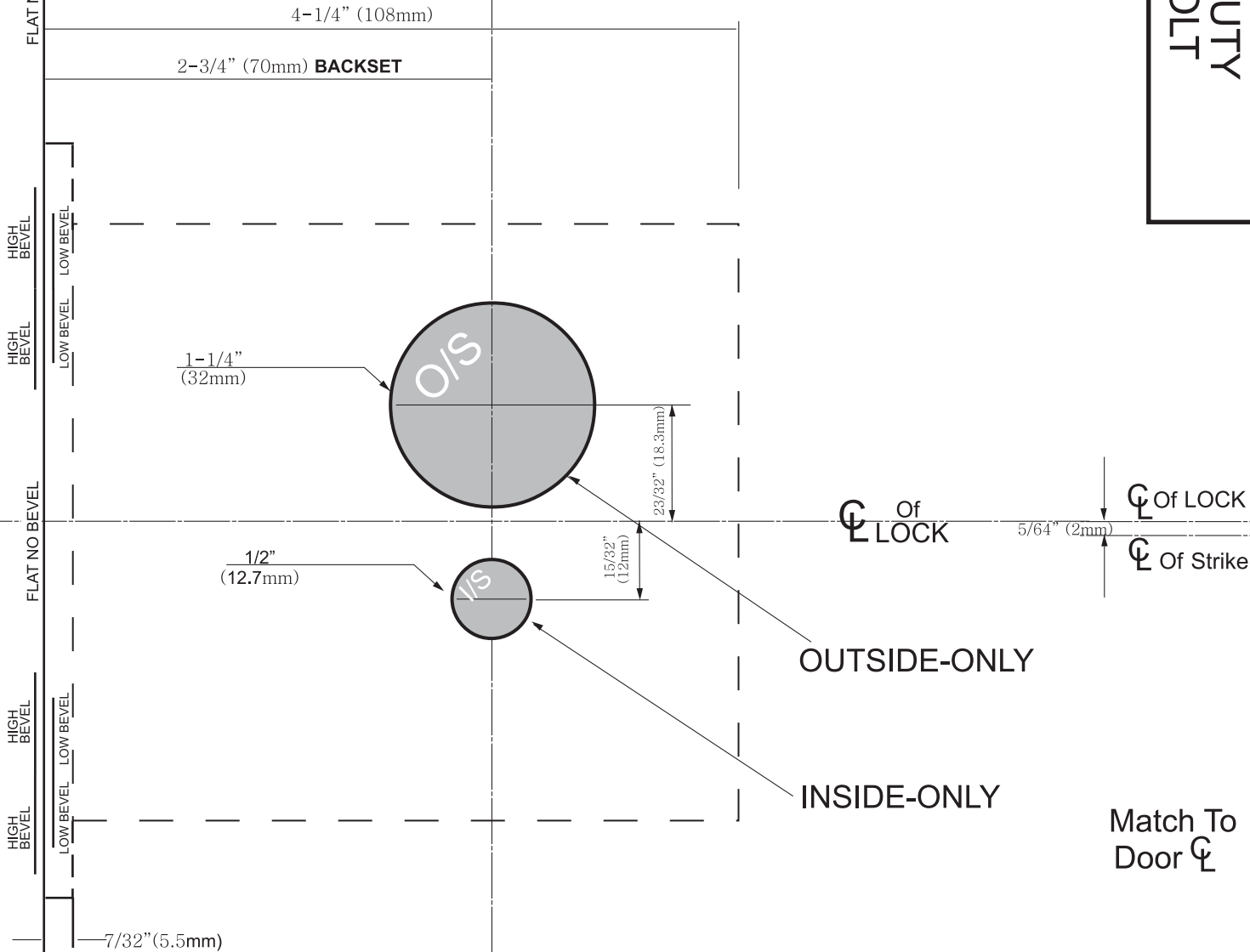
2 x 12-24 TAP FOR METAL DOORS

Of Lock And Door Thickness



# DRX TEMPLATE

HEAVY DUTY DEADBOLT



OUTSIDE-ONLY

INSIDE-ONLY

Match To Door  $\text{CL}$

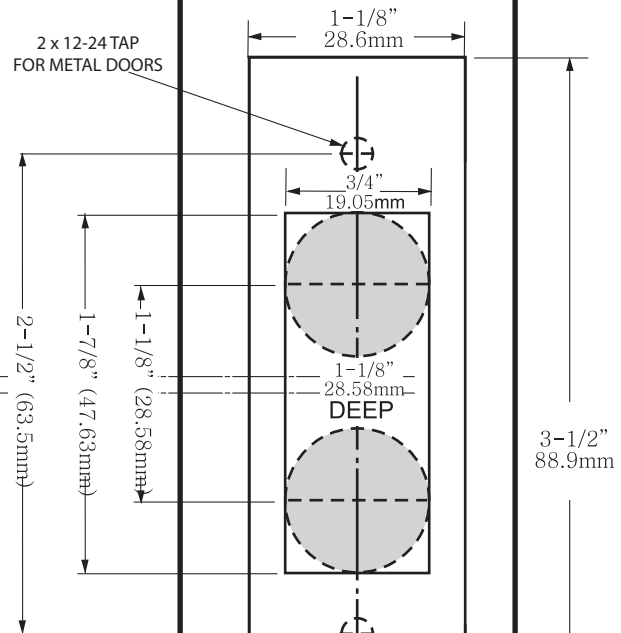
1" 25.4mm  
If This Measures 1" or 25.4mm Scale Is Correct

## LOCATOR POINT

MATCH WITH VERTICAL LINE DRAWN ON DOOR

**RESPONSIBILITY**  
Door and Frame Manufacturers are responsible for providing adequate construction or reinforcements for proper installation of hardware shown. All architectural builders hardware must be installed on properly reinforced doors and frames, regardless of the type, material or method of construction.

**FOR OPPOSITE HAND, PLEASE SEE REVERSE SIDE**



RECESS TO FIT STRIKE PLATE

DOOR FRAME VIEW

**STRIKE TEMPLATE**