

Fail-Safe / Fail-Secure Adjustable Electric Strike User manual

Ver17.1

● Features

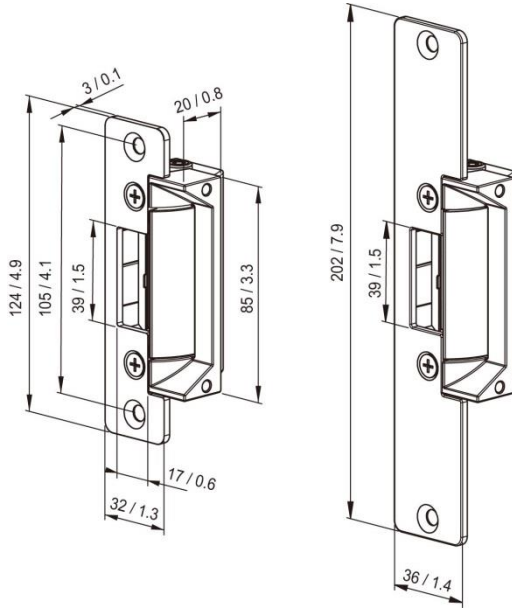
1. This is a ANSI size electric strike.
2. Suitable for 15mm latches.
3. Installed on wooden/metal frames and doors.
4. Adjustable door strike operation:
Power to lock (fail-safe) / Power to open (fail-secure).
5. Pair with mortise type dead bolt mechanical lock
or mortise lock






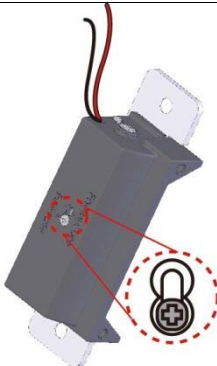
● Specifications

Voltage	DC 12V~24V
Current	DC 12V 270mA±10% / DC 24V 140mA±10%
Endurance	1,000,000cycles. 1,000,000 次以上
Holding force	1200Kg
Keeper width	39mm
Material	Plate: Aluminum Lock body: Zinc alloy Latches: Stainless steel
Wiring	Red(+) / Black(-)

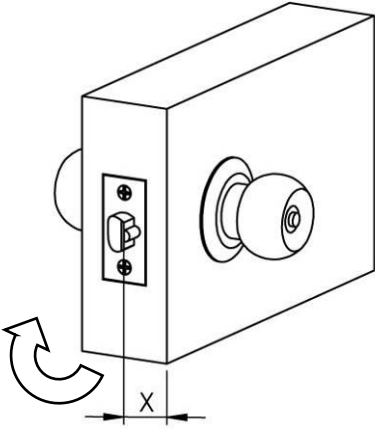
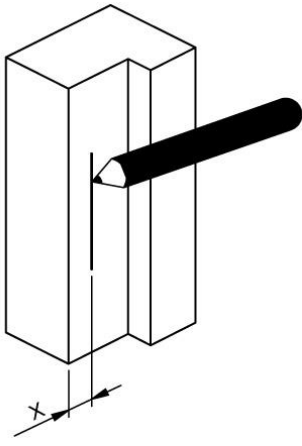
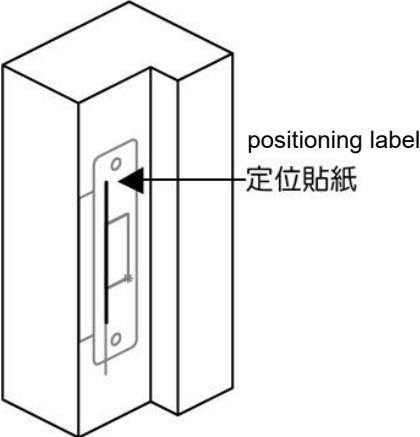
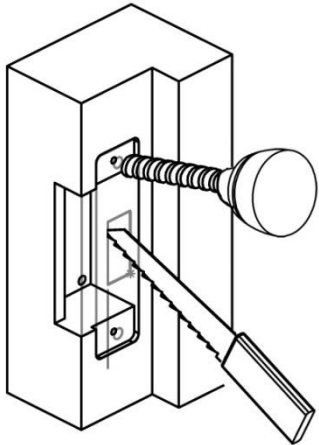
● Dimension: Unit(mm / inch)



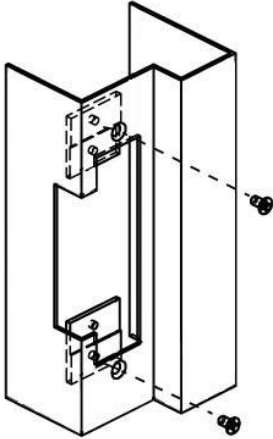
●How to change operation mode

Step 1	Step 2
 <p data-bbox="152 587 488 641">Power to open (Fail-Secure) Default Value</p>	 <p data-bbox="566 574 983 667">Loosen the screw if you want to change to another operation mode. (Please don't pick up the screw))</p>
Step 3	Step 4
 <p data-bbox="159 1129 454 1184">Push backward the screw, then lock it.</p>	 <p data-bbox="616 1129 934 1158">Power to close. (Fail-Safe)</p>

● How to assemble

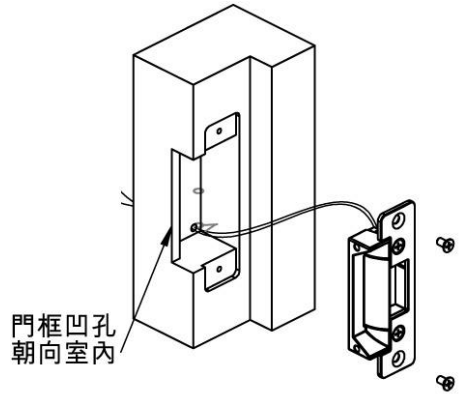
Step 1	Step 2
 <p>Measure the latch position on the door.</p>	 <p>Mark the latch position on the door frame.</p>
Step 3	Step 4
 <p>Stick the positioning label on the door frame and mark the line.</p>	 <p>Cut and drill the hole according to the positioning label.</p>

Step 5



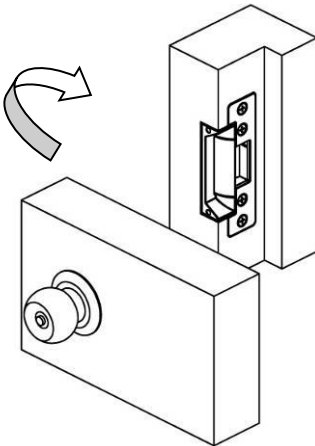
Please install two extension gaskets if you want to mount on the metal door frames.

Step 6



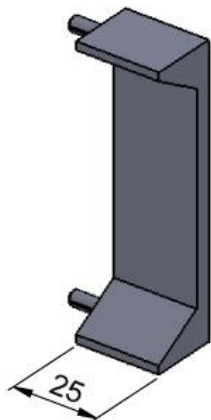
Install the strike and do the testing

Step 7



Installation is complete.

●Optional accessories

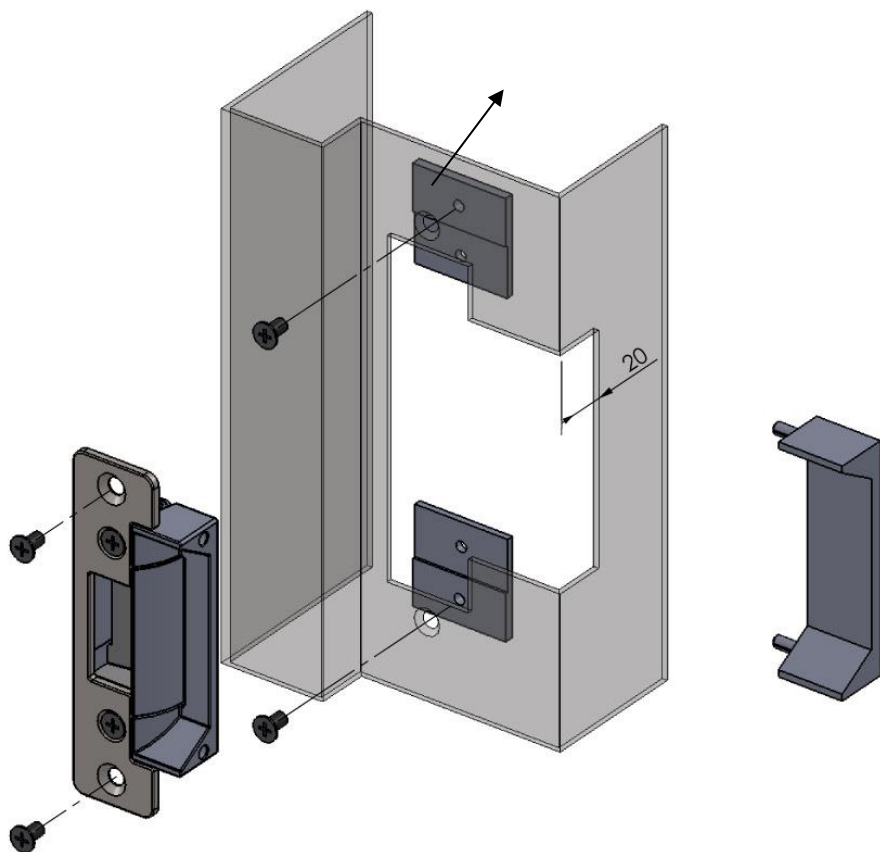


25mm extension lip

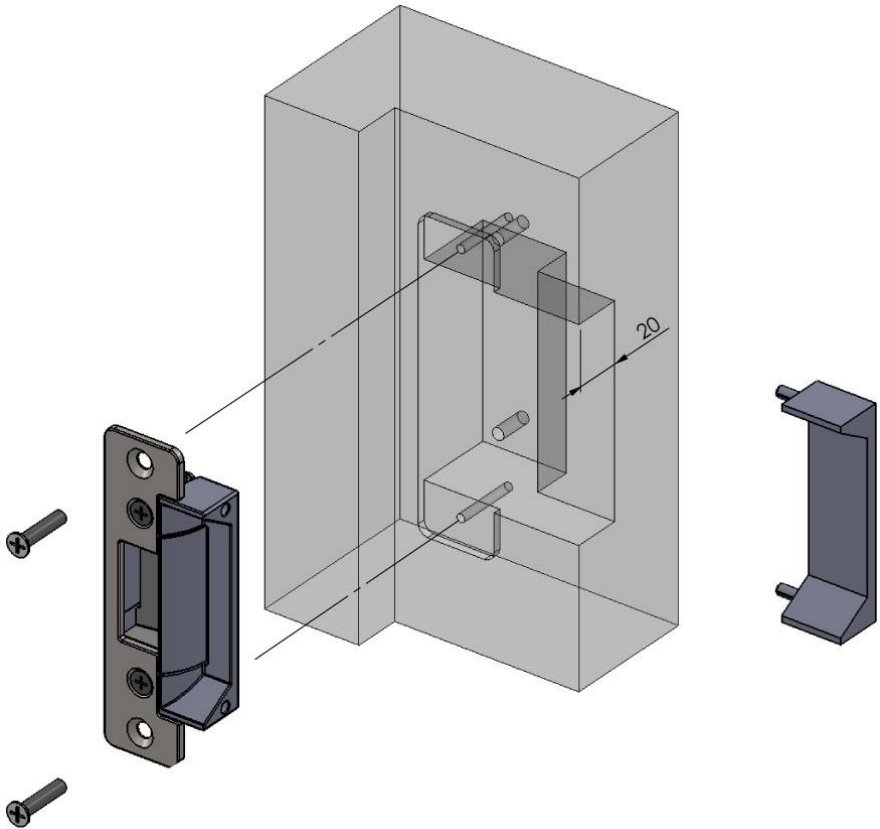
Note 注意：

Please install extension lip if you want to mount on the wide door.

●Extension lip mounted on the metal door



● **Extension lip mounted on the wooden door**



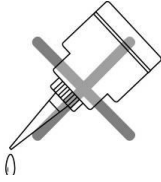
● **Applications**

For metal, wooden door

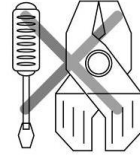
● **Packing list 包裝明細**

No.	Accessories	Quantity
1	Main body	1
2	Self drilling screws	2
3	Positioning label	1
4	User manual	1

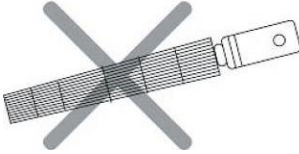
● **Notice**



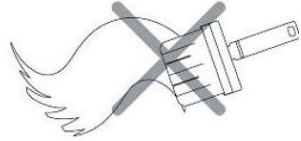
a. Please don't drop any engine oil or lubricant oil on the strike.



b. Unauthorized repair or modification on product is not included in the warranty.



c. The filing dust may clog the lock and affect the operation.



d. No painting on the strike and faceplate, that may affect operation and function of lock.

※Specifications subject to change without notice for further modification.