

Optional Cams

For DCP and DCP500
Padlockable Cam Locks



GENERAL SPECIFICATIONS

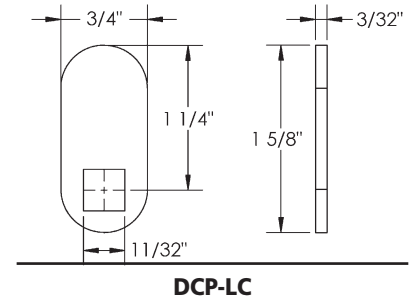
Use with: DCP and DCP500 padlockable cam locks.

Reversible: All bent cams are reversible and can be used in either the inbent or outbent position.

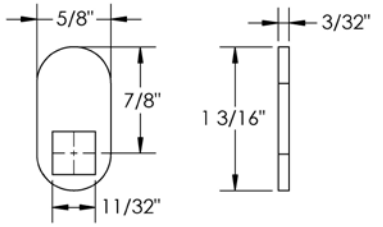
Standard cam: The DCP and DCP500 padlockable cam locks ship standard with DCP-LC (1-1/4" straight cam) pictured at the right.

Standard Cam

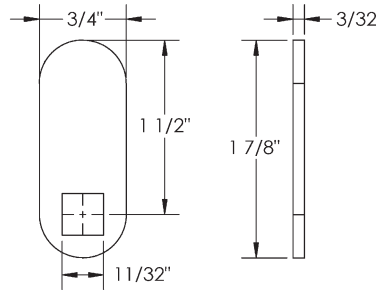
The DCP and DCP500 padlockable cam locks ship standard with the below 1-1/4" straight cam:



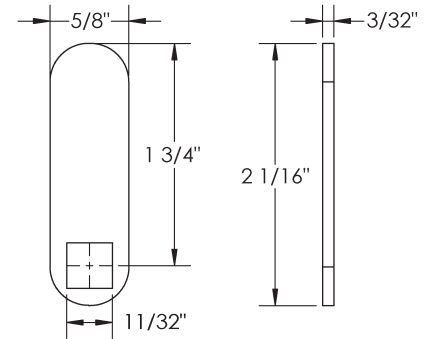
OPTIONAL STRAIGHT CAMS



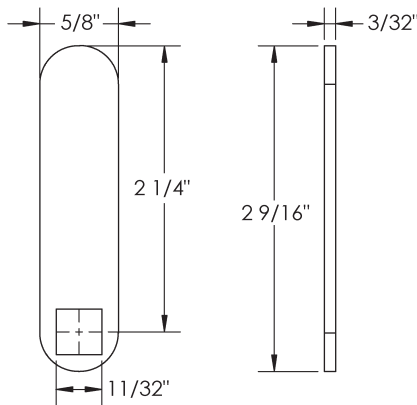
DCP-SC
7/8" straight cam



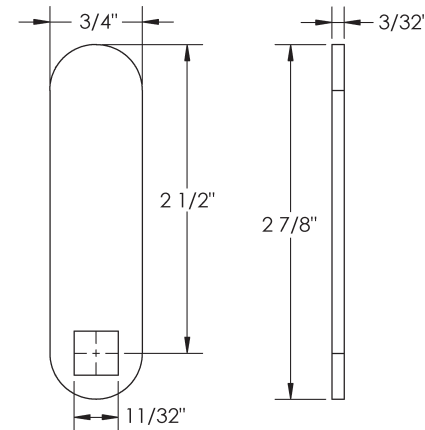
DCP-LC-112
1-1/2" straight cam



DCP-LC-134
1-3/4" straight cam



DCP-LC-225
2-1/4" straight cam



DCP-LC-250
2-1/2" straight cam

**SEE REVERSE
FOR OPTIONAL
OFFSET CAMS**



WARNING: This product can expose you to chemicals including chromium, which is known to the State of California to cause cancer and birth defects or other reproductive harm. For more information go to www.P65Warnings.ca.gov.

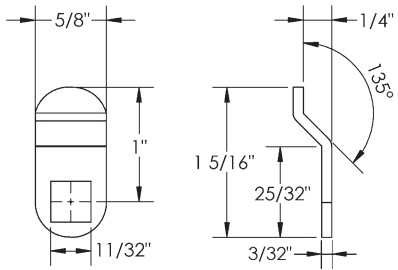


**OLYMPUS[®]
LOCK
INC.**

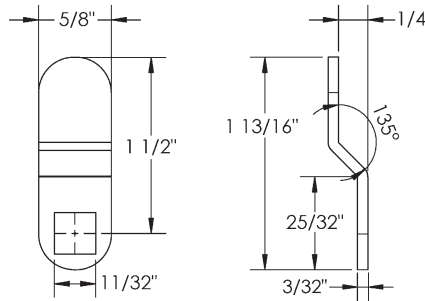
Optional Cams

For DCP and DCP500
Padlockable Cam Locks

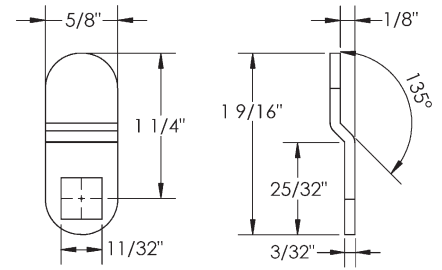
OPTIONAL OFFSET CAMS



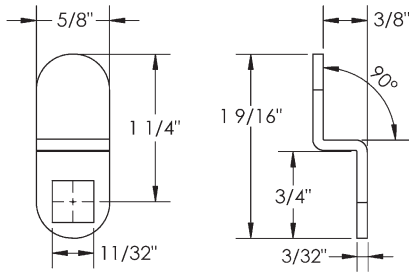
DCP-1-14
1" cam with 1/4" offset



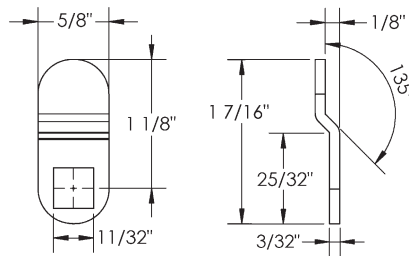
DCP-112-14
1-1/2" cam with 1/4" offset



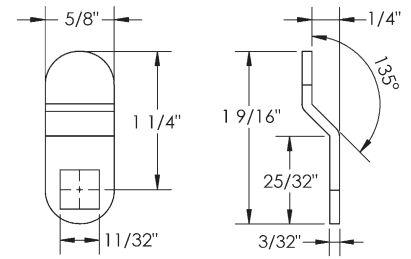
DCP-114-18
1-1/4" cam with 1/8" offset



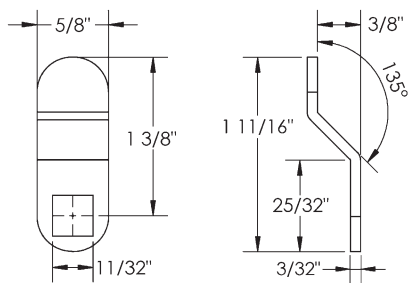
DCP-114-38
1-1/4" cam with 1/8" offset



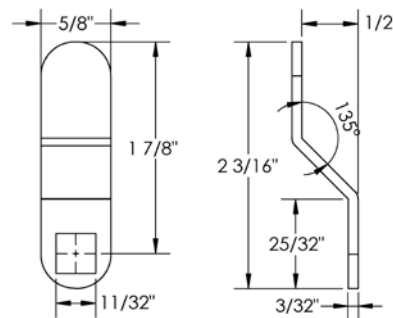
DCP-118-18
1-1/8" cam with 1/8" offset



DCP-LBC
1-1/4" cam with 1/4" offset



DCP-LBC-138
1-3/8" cam with 3/8" offset



DCP-LBC-178
1-7/8" cam with 1/2" offset