

# INSTRUCTIONS FOR INSTALLATION OF SINGLE OR DOUBLE CYLINDER DEADBOLTS AND THE REPLACEMENT OF EXISTING LOCKS

**FOR USE ON DOOR THICK 1-3/8" TO 1-3/4" (35mm-45mm)**

**TOOLS REQUIRED FOR NEW CONSTRUCTION:**

1 philips head screwdriver

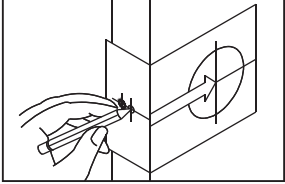
1 2-1/8" (54mm) hole saw

1 1" (25mm) drill & 1 chisel

**TOOLS REQUIRED FOR REPLACEMENT:**

1 philips head screwdriver

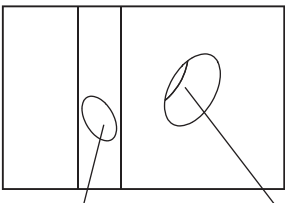
## 1. MARK DOOR



- Fold and apply template on high edge of door bevel and mark center of door edge as indicated on template at the desired height from the floor.
- Mark center hole on door face through guide on template for either 2-3/8" or 2-3/4" (60mm or 70mm) backset.

**NOTE: BACKSET ON DOOR FACE MUST BE SAME AS BACKSET OF YOUR LOCK.**

## 2. DRILL HOLES



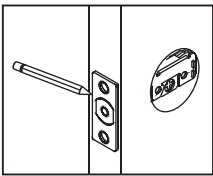
1" (25mm)  
FOR DEADBOLT

2-1/8" (54mm) HOLE  
FOR LOCKSET

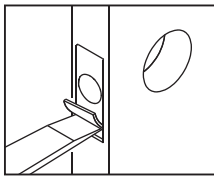
Drill holes as marked.

**NOTE: DRILL 2-1/8" (54mm) HOLE FROM BOTH SIDES OF DOOR TO AVOID SPLITTING WOOD.**

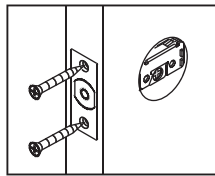
## 3. INSTALL LATCH



Insert latch in hole. Mark outline of face plate and remove latch.

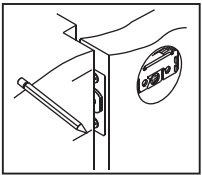


Chisel 1/8" (3mm) deep or until face plate flush with door edge.

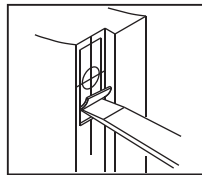


Insert latch and tighten screws.

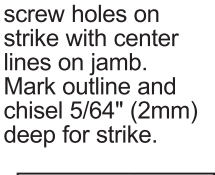
## 4. INSTALL STRIKE



Close door to mark horizontal center line of strike.

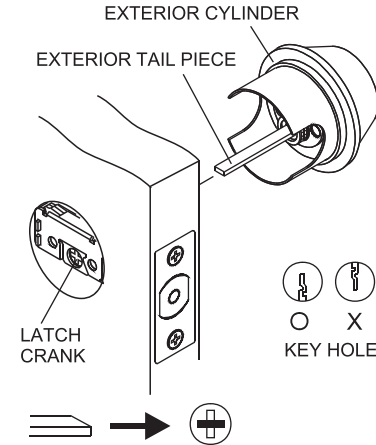


Measure one half of door thickness from door stop and mark vertical center line of strike. Drill 1" (25mm) hole 1" (25mm) deep at intersection of horizontal and vertical center line of strike. Match

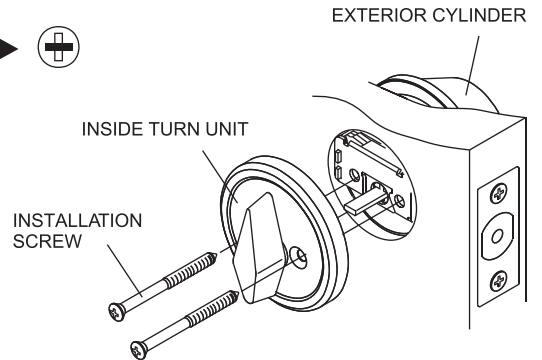
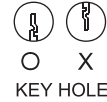


screw holes on strike with center lines on jamb. Mark outline and chisel 5/64" (2mm) deep for strike.  
Install strike and tighten screws.

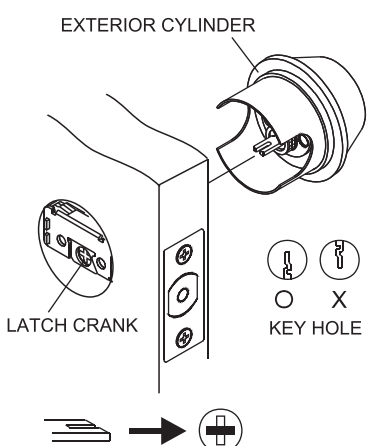
## 5. INSTALL SINGLE CYLINDER



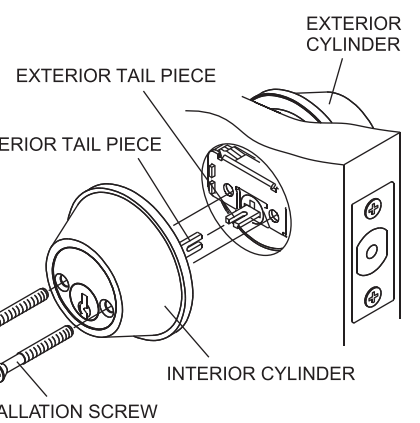
- Retract deadbolt to unlock position.
- Insert exterior tail piece horizontally through latch crank.
- Press exterior cylinder flush against door.
- Install inside turn unit and tighten installation screws.



## 6. INSTALL DOUBLE CYLINDER



- Retract deadbolt to unlock position.
- Insert exterior tail piece horizontally through latch crank.
- Press exterior cylinder flush against door.
- Insert interior tail piece vertically through latch crank.
- Press interior cylinder flush against door and tighten installation screws.



1 **FOLD HERE**

FOR INSTALLING DEADLOCKS

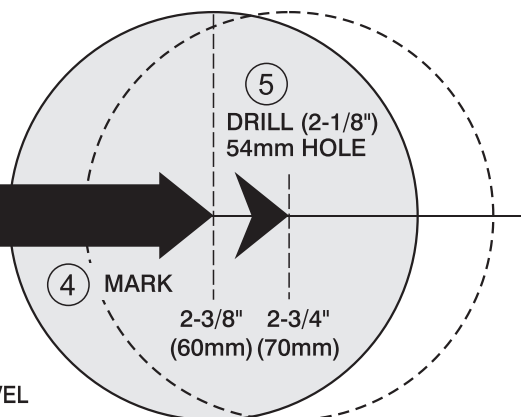
READ INSTRUCTIONS  
1-3/4" (45mm) THICK DOOR

2 MARK PROPER DOOR THICKNESS

1-3/8" (35mm) THICK DOOR

3 DRILL 1" HOLE IN EDGE OF DOOR (2" IN DEPTH)

**NOTE: TEMPLATE MUST BE PLACED ON HIGH EDGE OF DOOR BEVEL**



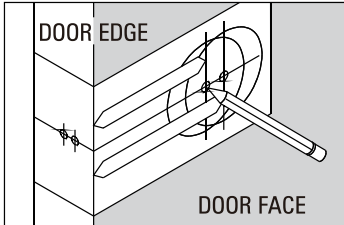
# INSTRUCTIONS FOR INSTALLATION OF ONE SIDED DEADLOCK WITH 1" (25.4mm) DEADBOLT FOR 2-1/8" (54mm) DOOR HOLE

**FOR USE ON DOOR THICK 1-3/8" TO 1-3/4" (35mm~45mm)**

## TOOLS REQUIRED FOR REMODELING OR NEW CONSTRUCTION

1 phillips head screwdriver 1 2-1/8" (54mm) hole saw  
1 1" (25.4mm) drill bit 1 chisel

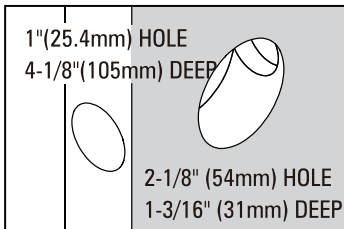
### 1. MARK DOOR



Start approximately 36" (914mm) from floor. Fold and apply template on door edge and mark center of 2-1/8" (54mm) hole on door face.

**NOTE : BACKSET 2-3/8" (60mm) or 2-3/4" (70mm), ON DOOR FACE MUST MATCH BACKSET OF YOUR LOCK.**

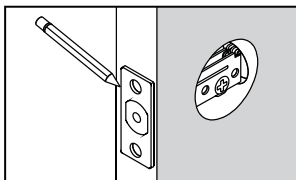
### 2. DRILL HOLES



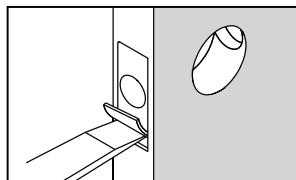
Drill 1" (25.4mm) hole 4-1/8" (105mm) deep in center of door edge. Drill from room side or inside of door 2-1/8" (54mm) hole 1-3/16" (31mm) deep on door face.

**NOTE : DO NOT DRILL MORE THAN 1-3/16" DEEP. MAKE SURE NOT TO BREAK THROUGH TO OPPOSITE SIDE OF DOOR. DRILL JUST PASS 1" HOLE FOR DEADBOLT LATCH.**

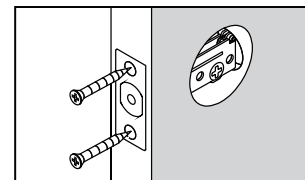
### 3. INSTALL DEADBOLT LATCH



Insert latch in hole, keeping latch face parallel to face of door edge. Mark outline and remove latch.



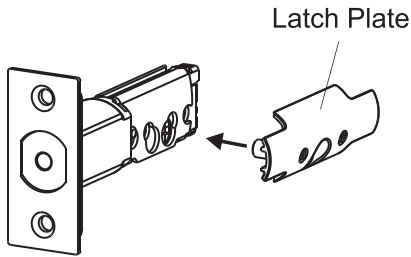
Chisel 1/8" (3mm) deep or until latch face is flush with door edge.



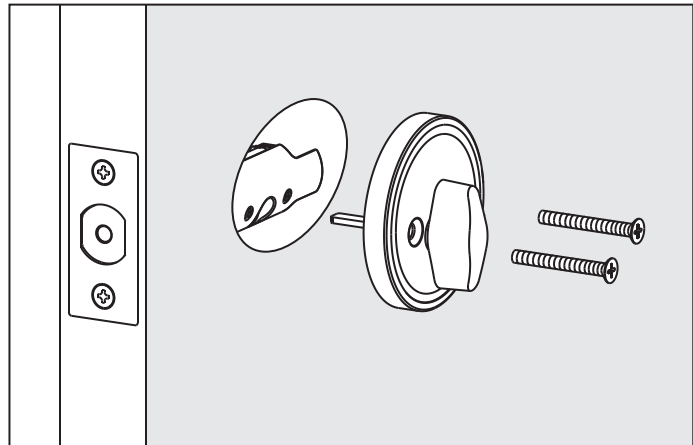
Install latch and tighten two screws firmly.



### 4. INSTALL THUMB TURN ASSEMBLY

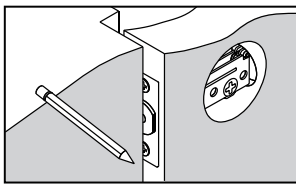


Insert the Latch Plate into the holes on the latch shown as the figure.

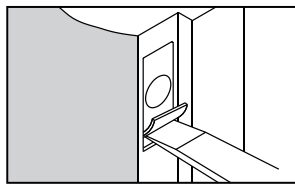


Mount thumb turn assembly on door, aligning onto latch crank, tighten screw firmly to secure assemblies to door.

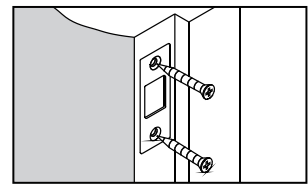
### 5. INSTALL STRIKE PLATE



Close door until latchbolt touches jamb to locate strike in jamb and center line of strike. Open door and extend line from make to door stop.



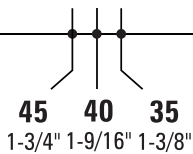
Measure one half of door thickness from door stop and vertically make drill point center for strike. Drill 1" (25.4mm) hole 1" (25.4mm) deep in door jamb for strike.



Chisel 1/16" (1.5mm) deep for strike. Install and tighten screws.

### TEMPLATE

FOLD HERE ON DOOR EDGE



Make 1" (25.4mm) hole at center of door edge.

∅ 2-1/8" (54mm) HOLE

2-3/8" (60mm) BACKSET

2-3/4" (70mm) BACKSET

**CAUTION :**  
DO NOT DRILL 2-1/8" (54mm) HOLE THROUGH TO OPPOSITE SIDE OF DOOR.  
(READ INSTRUCTIONS CAREFULLY)

