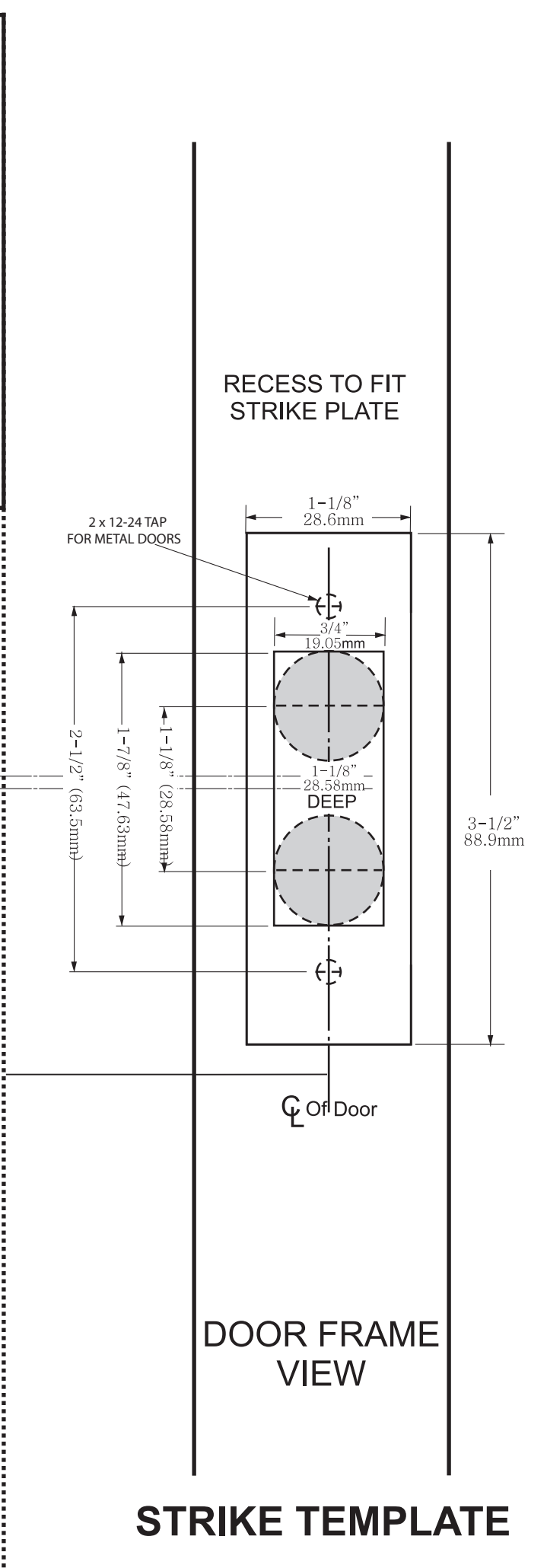
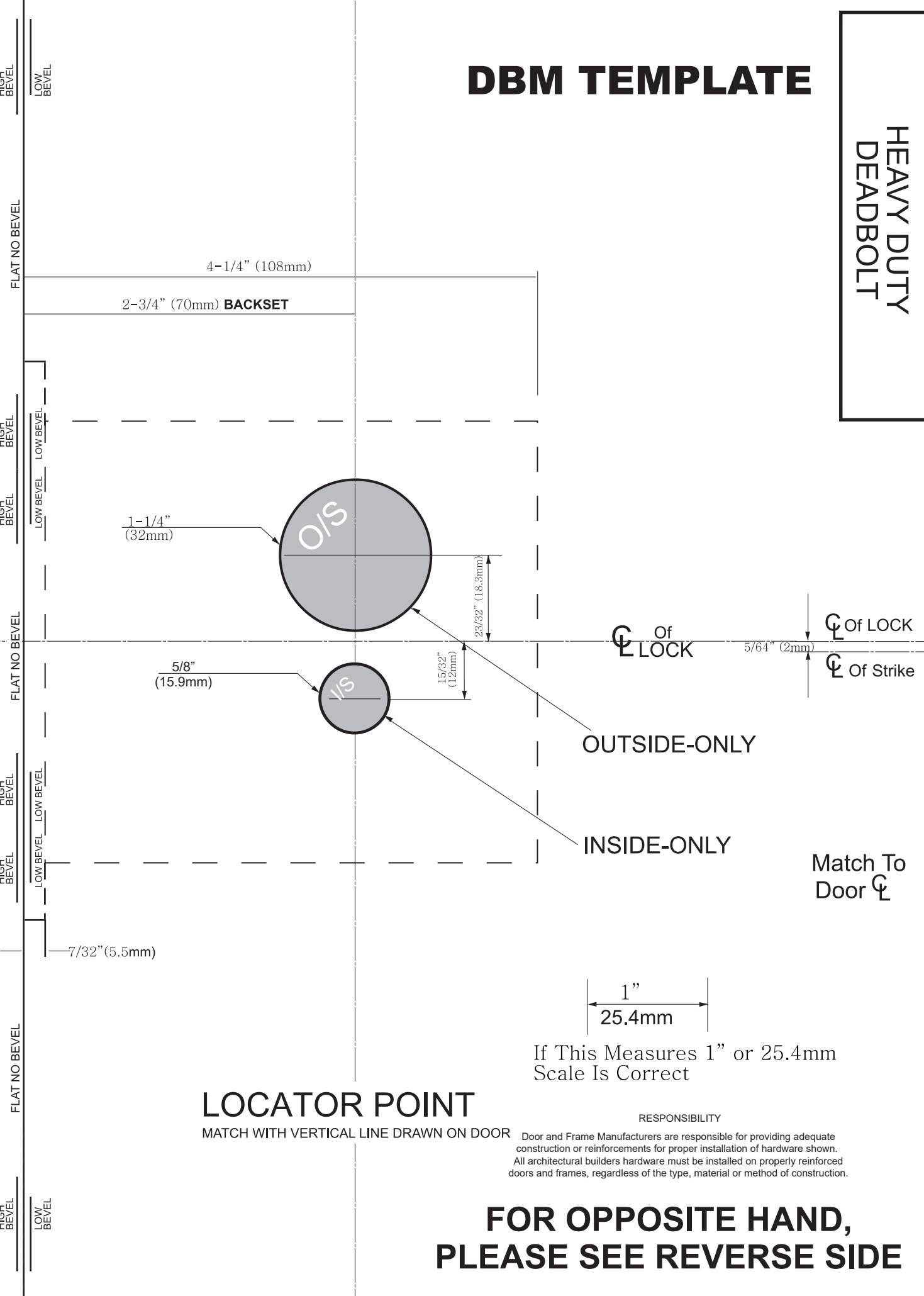
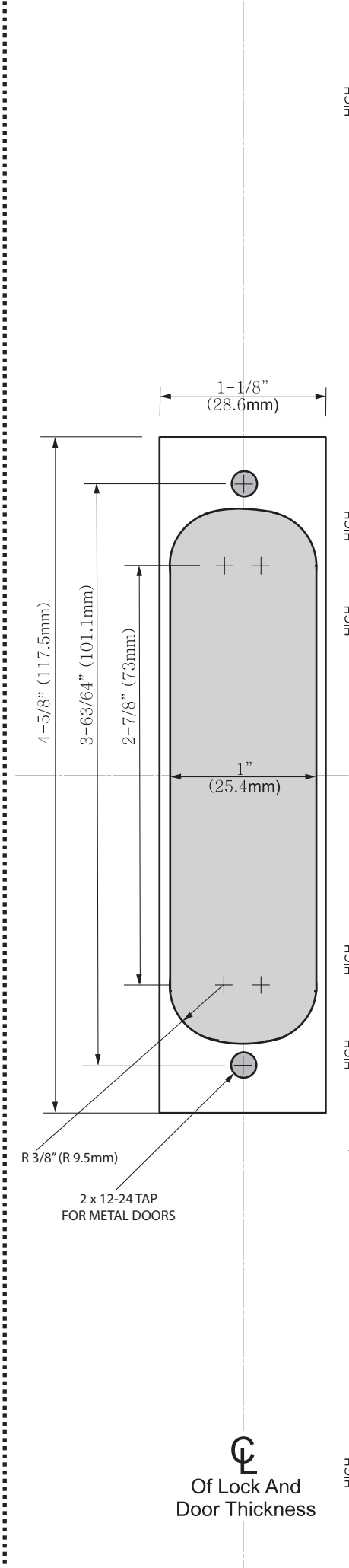


LOCK FUNCTION		OUTSIDE	INSIDE
15	●	Cylinder Hole	Cylinder Hole
16	●	Thumb Turn Hole	●
17	○	●	Thumb Turn Hole
18	●	●	○
29	○	○	○

### DOOR PREPARATION CHART



RESPONSIBILITY  
 Door and Frame Manufacturers are responsible for providing adequate construction or reinforcements for proper installation of hardware shown. All architectural builders hardware must be installed on properly reinforced doors and frames, regardless of the type, material or method of construction.