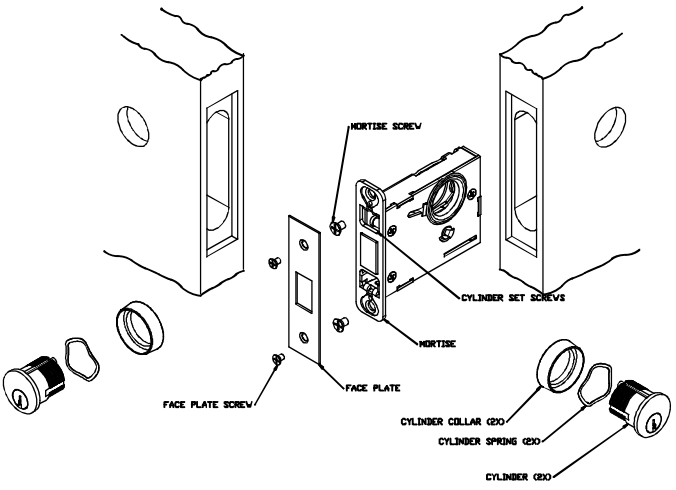
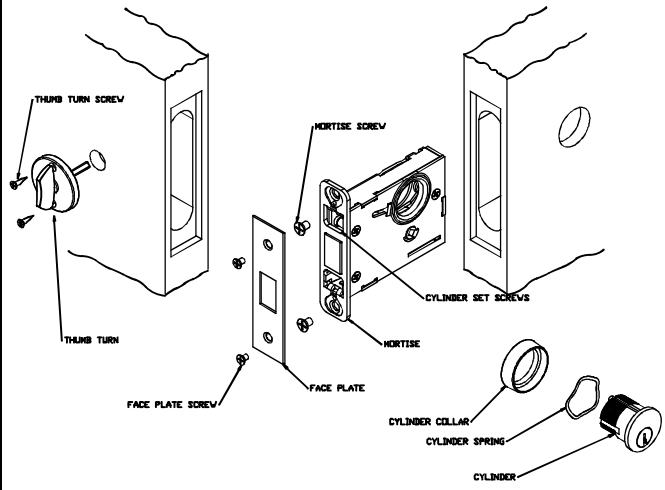


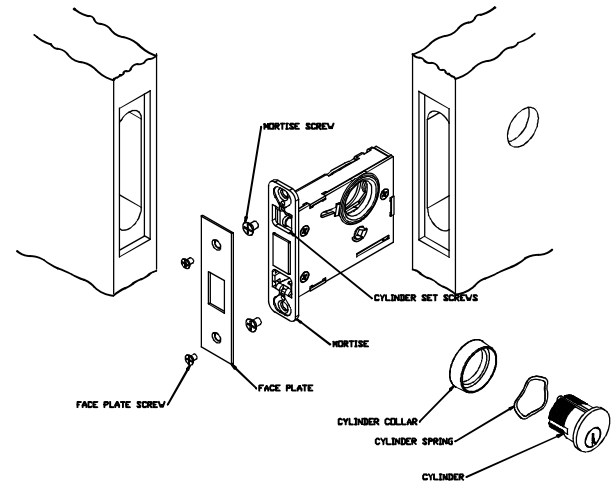
F-16



F-17



F-18



DEAD BOLT LOCK INSTALLATION INSTRUCTIONS

1. PREPARE DOOR PER TEMPLATE PROVIDED— DRILL ONLY THE HOLES NEEDED FOR THE THUMB TURN AND CYLINDER PER MORTISE FUNCTION AND ILLUSTRATIONS ABOVE.
2. INSTALL MORTISE IN POCKET— SEE ILLUSTRATION FOR ORIENTATION.
3. USE 2 MORTISE SCREWS TO SECURE MORTISE IN POCKET.
4. INSTALL CYLINDER(S) WITH CYLINDER, COLLAR AND SPRING PER ILLUSTRATION.
5. TIGHTEN SET SCREW(S) INSIDE MORTISE TO HOLD CYLINDER IN PLACE.
4. INSTALL FACE PLATE AND SECURE WITH FACE PLATE SCREWS.
5. INSTALL THUMB TURN— ALIGN SPINDLE WITH THE MORTISE AND MATCH DRILL PILOT HOLES. SECURE WITH THUMB TURN SCREWS.
6. CHECK OPERATION OF THUMB TURN AND CYLINDER TO ENSURE THE LOCK WILL LOCK AND UNLOCK AND IS FUNCTIONING PROPERLY BEFORE CLOSING THE DOOR.
7. INSTALL STRIKE AND DUST BOX PER ILLUSTRATION E AND SECURE WITH STRIKE SCREWS. ENSURE STRIKE AND DEAD BOLT LINE UP AND DO NOT BIND. ADJUST AS NECESSARY.

*ILL. E*

