

# RC BULK ASSEMBLED SINGLE ACTING RESIDENTIAL SPRING HINGE FULL MORTISE

Round Corner,  $\frac{5}{8}$ " Radius  
BUSH-4458R

### Features

- Easy Installation
- Spring hinges for high performance
- Fully adjustable spring offers different closing springs

### Size

- 4" x 4"

### Gauge

- .110" (Thickness of Hinge Steel)

### Material

- Steel, Stainless Steel, Brass

### Finishes

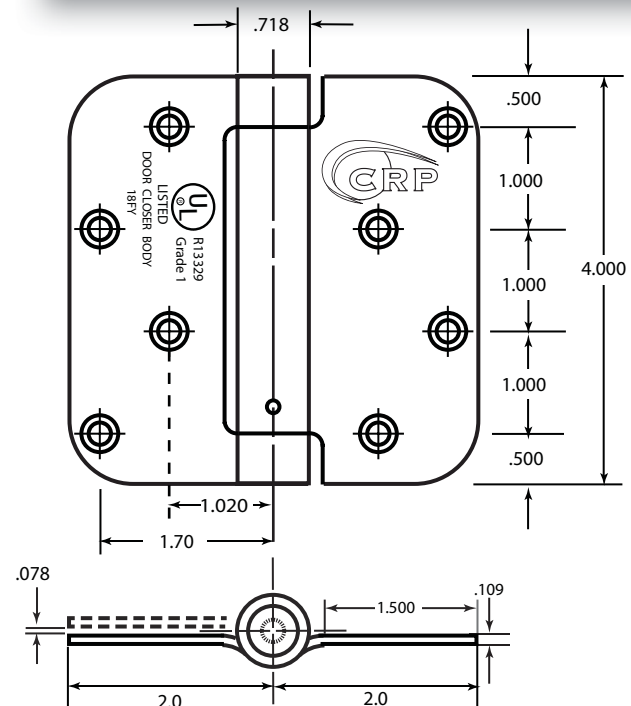
- US2D
- US26D
- US15

### Fasteners

- Wood Screws:  $\frac{1}{2}$ " x 12 – 24 w/ #10 Head F.H.

### Compliance

- UL listed - R13329 GRADE 1



## CAL-ROYAL PRODUCTS, INC.

6605 Flotilla St., City of Commerce, CA 90040 U.S.A.  
Phone: (323) 888-6601 • (800) 876-9258 • Fax: (323) 888-6699 • (800) 222-3316  
Email: sales@cal-royal.com • Website: www.cal-royal.com

The illustration and technical description in this cut sheet is current as of the date in the version date on the right. Cal-Royal Product reserves the right to, and may, on occasions, make changes and/or improvements in designs and dimensions without prior notice.

2018 01  
YEAR PRINTED VERSION NO.

© Cal-Royal Products, Inc. 2018

# Two Ball Bearing, Full Mortise Standard Weight SQUARE CORNER, 5 KNUCKLES SBBB31

### Features

- Use on medium weight doors or doors requiring medium to high frequency service
- Pins in non-ferrous hinges are stainless steel
- Hole in bottom tip for easy pin removal
- Hinges can be furnished as follows:
  - with electric wires and/or switches (CE and/or CS)
  - with decorative tips
  - with security studs
  - with non-removable pins (NRP)



### Size

- 4 1/2" x 4 1/2"

### Gauge

- .134

### Material

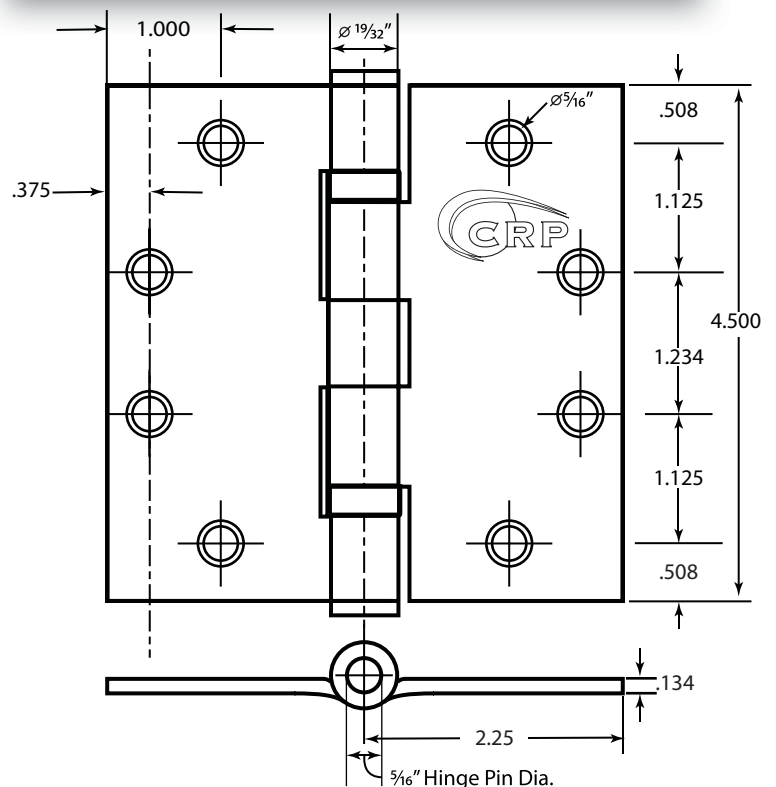
- Steel, Stainless Steel, Brass

### Finishes

- |         |            |
|---------|------------|
| • US4   | • US10ANRP |
| • US3   | • US10A    |
| • US26D | • US10B    |
| • US26  | • US10BNRP |

### Fasteners

- Wood Screws: 1 1/4" x 12
- Machine Screws: 1/2" x 12 - 24



## CAL-ROYAL PRODUCTS, INC.

6605 Flotilla St., City of Commerce, CA 90040 U.S.A.  
 Phone: (323) 888-6601 • (800) 876-9258 • Fax: (323) 888-6699 • (800) 222-3316  
 Email: sales@cal-royal.com • Website: www.cal-royal.com

The illustration and technical description in this cut sheet is current as of the date in the version date on the right. Cal-Royal Product reserves the right to, and may, on occasions, make changes and/or improvements in designs and dimensions without prior notice.

2018 01  
 YEAR PRINTED VERSION NO.7

© Cal-Royal Products, Inc. 2018

# Plain Bearing, Full Mortise Residential Weight ROUND CORNER, 5 KNUCKLES 10RH35

### Features

- For use on interior and exterior doors

### Size

- 3 1/2" x 3 1/2"

### Gauge

- .085

### Material

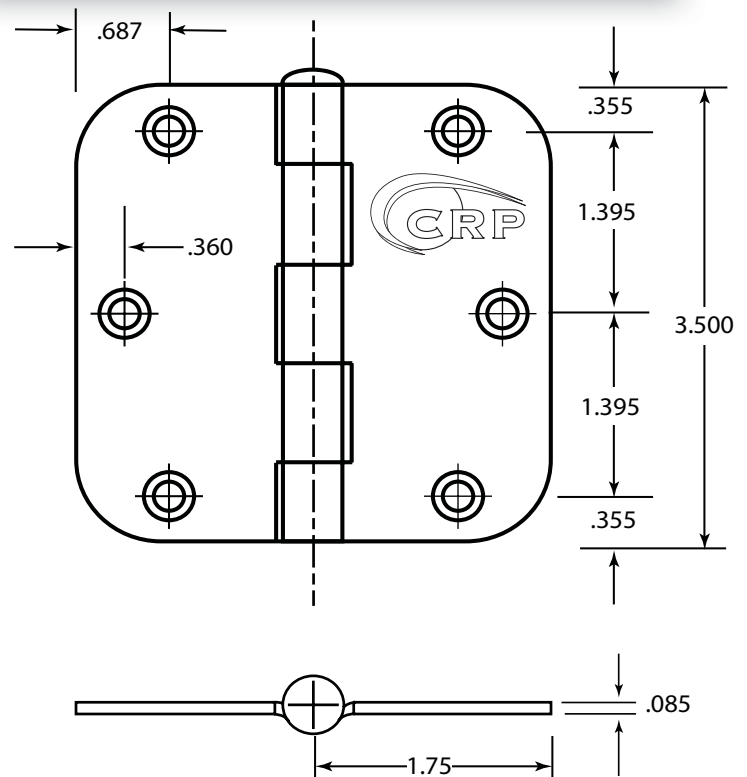
- Steel, Stainless Steel, Brass

### Finishes

- US26D
- US15
- US26
- US10B

### Fasteners

- Wood Screws: 1" x 9



### CAL-ROYAL PRODUCTS, INC.

6605 Flotilla St., City of Commerce, CA 90040 U.S.A.  
 Phone: (323) 888-6601 • (800) 876-9258 • Fax: (323) 888-6699 • (800) 222-3316  
 Email: sales@cal-royal.com • Website: www.cal-royal.com

The illustration and technical description in this cut sheet is current as of the date in the version date on the right. Cal-Royal Product reserves the right to, and may, on occasions, make changes and/or improvements in designs and dimensions without prior notice.

2018 01  
 YEAR PRINTED VERSION NO.7

© Cal-Royal Products, Inc. 2018