

8800 Series

Narrow Stile Rim Exit Device



The 8800 Series Narrow Stile Rim Exit Device is designed for narrow stile aluminum applications that require a life-safety exit device with Starwheel interlocking solution. Designed for use in applications with single doors or pairs of doors with a mullion.

Certifications

UL 305 Panic Hardware

ANSI/BHMA A156.3, Grade 1



Features

Materials

Push bar made of extruded aluminum, clad or anodized in a variety of finishes.

Handing

Device is non-handed.

Push bar Length

Standard sizes: dimensioned for 30" [762.0 mm], 36" [914.4 mm], 42" [1,066.8 mm], and 48" [1,219.2 mm] openings. Standard width bars can be field cut to the next smallest opening width.

Door Thickness

Suits 1-3/4" [44.5 mm] standard, up to 2-1/4" [57.2 mm].

Stile Width

Minimum 2" [50.8 mm] stile. Fits narrow, medium, and wide stile aluminum doors.

Projection

2-5/8" [66.7 mm] when fully projected, 1-5/8" [41.3 mm] when dogged.

Dogging

Standard dogging with hex key or optional cylinder dogging. Electric Dogging option has been discontinued. Motorized and Electric Latch Retraction options can replace Electric Dogging requirement, see Options & Accessories.

Fasteners

Standard machine screws.

Cylinders

Select any standard 1-5/32" [29.4 mm] diameter rim cylinder such as the 8736 Rim Cylinder. Available separately.

Cylinder x Fixed Pull Functions

For function 03 (Night latch - key releases latch) select any standard 1-5/32" [29.4 mm] diameter rim cylinder such as the 8736 Rim Cylinder.

Entry Trim Functions

For entry trim function 08 (key locks/unlocks lever) or function 09 (key releases lever) select any standard 1" [25.4 mm] length, 1-5/32" [29.4 mm] diameter mortise cylinder with MS® cam such as the 4036 Mortise Cylinder. Accommodates cylinder lengths from 1" [25.4 mm] to 1-1/4" [31.8 mm]. Available separately.

Strike

Standard strike and narrow versions for centering doors in 4" jamb (both strikes included).

Standard Package

Individually boxed.

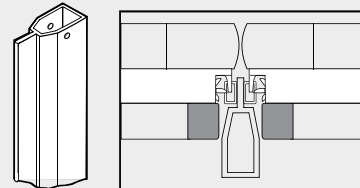
Shipping Weight

10 lbs [4.54 kg]

Removable Mullion

Allows the use of rim exit devices on paired doors without narrowing the doors. Provides higher security and better traffic flow than paired doors with vertical rod exit devices.

3890 Aluminum Mullion available separately. Select for use with doors up to 8' [2.44 m] or 10' [3.05 m]. Available in 313 Dark bronze anodized or 628 Clear anodized finish.



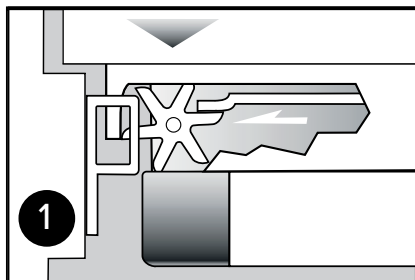
Options

• Electrification Options

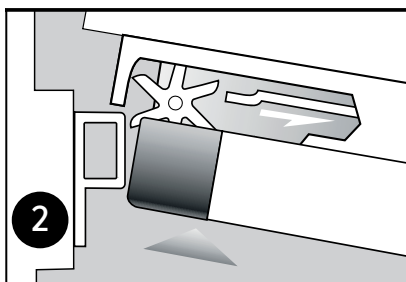
Motorized Latch Retraction, Electric Latch Retraction (EL), Alarm, Monitoring, Cylinder Dogging, Matching End Caps

Starwheel Bolt

1. When door closes, the interlocking noseguard and Starwheel bolt close around the strike. The deadlocking slide spring over, locking the Starwheel bolt to the strike.

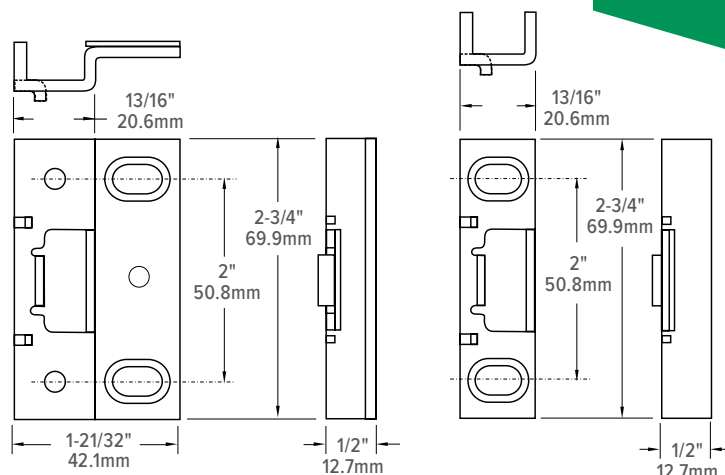


2. When push bar is depressed, the deadlocking slide moves back, allowing the door to unlock from the strike. This unique interlock provides solid security and prevents jamb spreading.



Strike Dimensions

All measurements are approximate and are provided for informational purposes only. Refer to the product Installation Instructions.



For more detailed information on any of the options listed above please see the Exit Devices Options on page 97 of this catalog.

How to Order & Related Products

8800 Rim Exit Device: Specify quantity and the following information. Order related products separately.

MODEL	PUSH BAR FINISH	DEVICE OPTIONS	MONITORING OPTION	DOOR OPENING WIDTH On pair of doors, specify HALF of the total exit opening		US FINISH	END CAPS OPTION FOR US FINISH	VOLTAGE
88	01	C	M2	-36				-12
88 Life-Safety	00 US Finish	EL Electric Latch Retraction (solenoid)	M Single Switch	30 30 inches*	42 42 inches	US3 Bright Brass	MEC Matching End Caps	12 Volts
	01 Clear Anodized 628	MLR Motorized Latch Retraction	M2 Dual Switch	36 36 inches	48 48 inches	US4 Satin Brass		24 Volts (For EL Option Only)
	02 Dark Bronze Anodized 313	C Cylinder Dogging (non-fire rated devices ONLY)	(Blank) No Monitor	AXXB Alarmed Exit Device where XX is door opening width		US32 Bright Stainless		
	03 Black Anodized 335	- No Option				US32D Satin Stainless		

* Please note that 30" exit devices cannot accommodate monitoring options, except when ordered in conjunction with the MLR option.

RELATED When purchasing this product, please consider the following related products, available separately:

TRIM	CYLINDER	ACCESSORIES	POWER
3080, 3080E Series Entry Trim, 3090-150, A100 Series Keyless Entry	Operable by either 4036 Mortise Cylinder or 8736 Rim Cylinder depending upon the ANSI/BHMA functions of the exit device.	REX-Monitor/Signal Kits	PS-1, PS-EXIT Power Supply (replaces PS-SE model), 4612 Power Transfer Device, 4605 Transformer, 4603 Rectifier

Experience a safer
and more open world



ASSA ABLOY