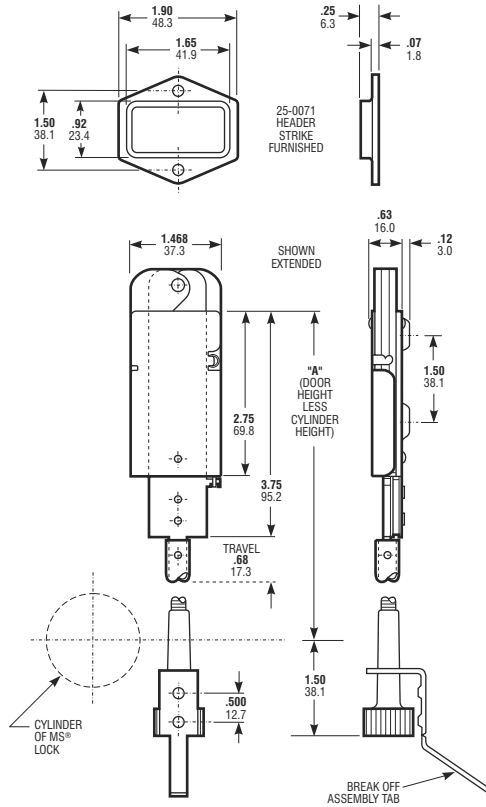


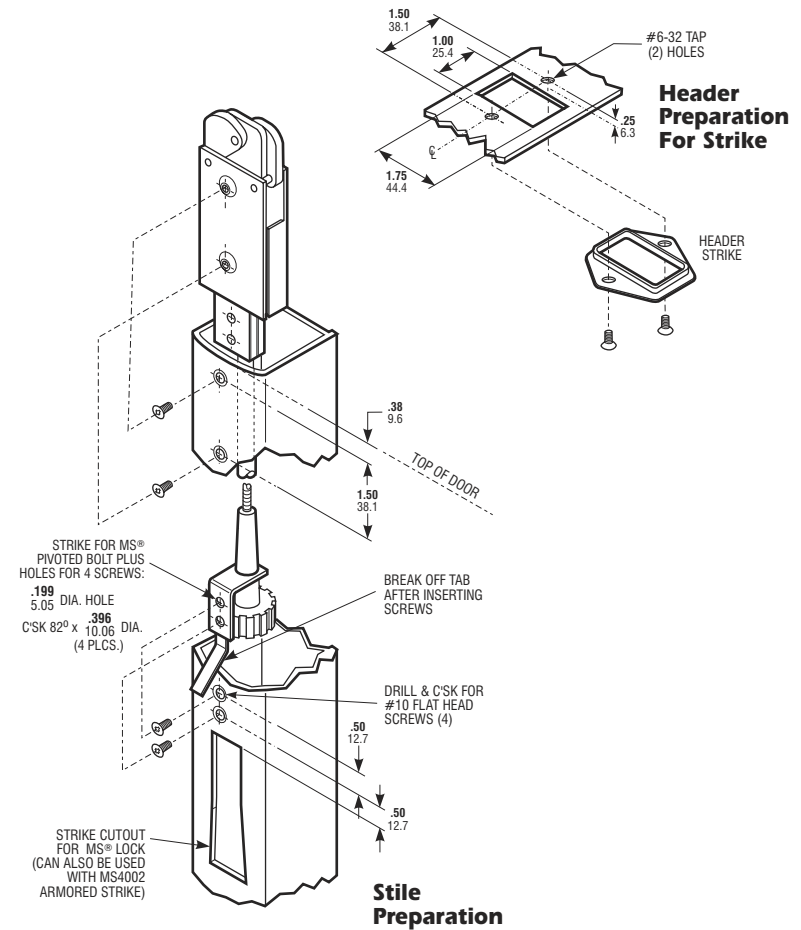
## DIMENSIONS

INCHES  
MILLIMETERS

Nominal, subject to tolerance extremes.



## INSTALLATION



**ADAMS RITE MANUFACTURING CO.**

260 Santa Fe Street, Pomona, CA 91767  
Phone: (909) 632-2300 Fax: (909) 632-2369

**4085 Header Bolt**