



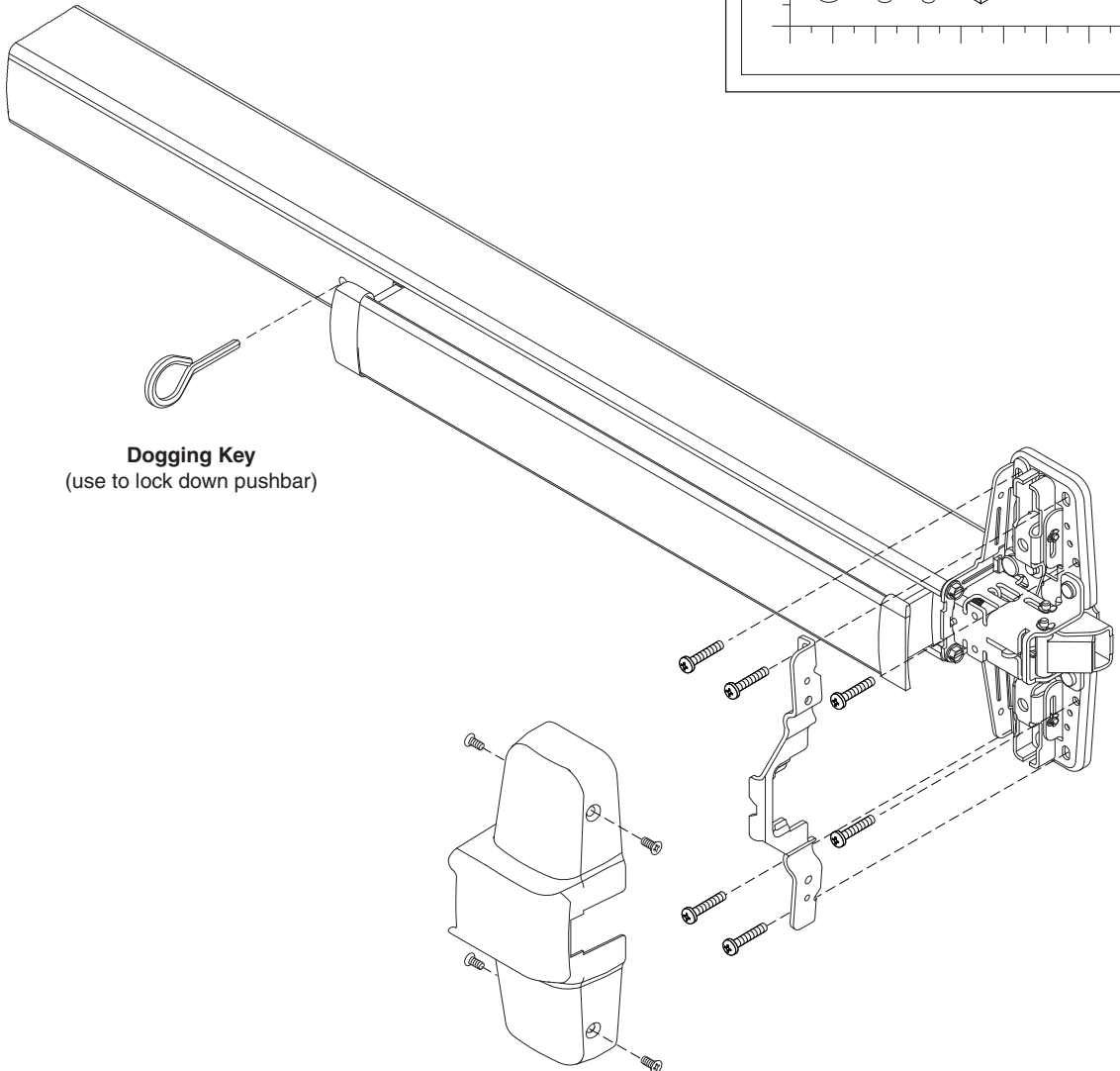
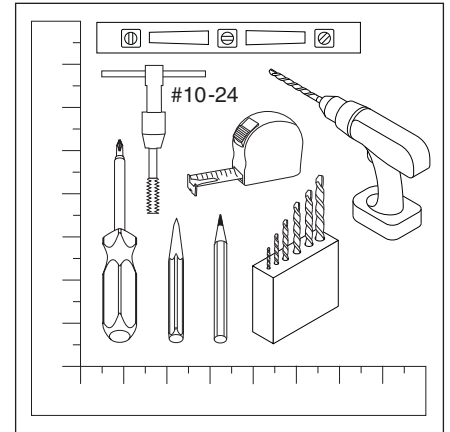
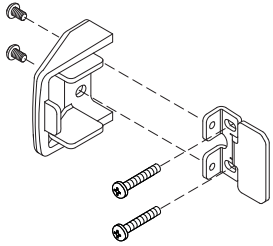
911373-00

98/99

VON DUPRIN®

Rim Exit Device

Installation Instructions



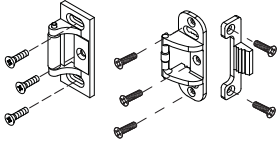
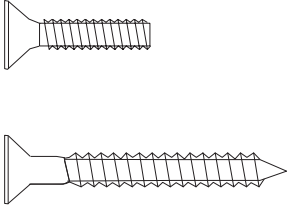
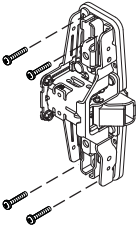
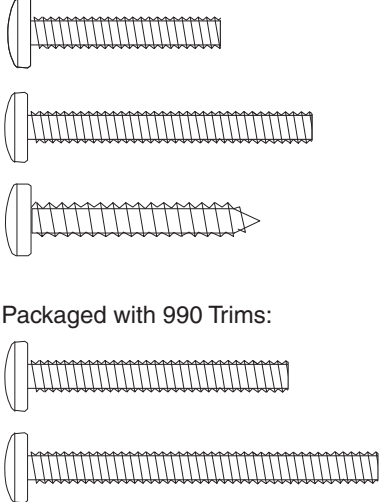
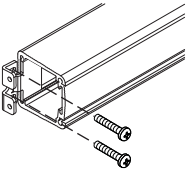
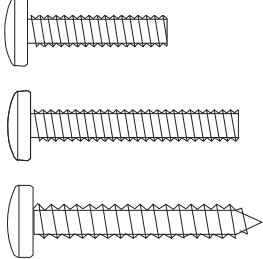
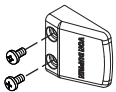
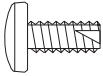
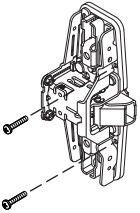
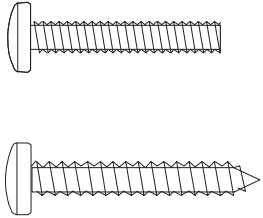
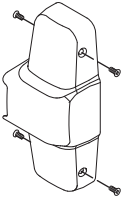
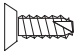
**Dogging Key**  
(use to lock down pushbar)



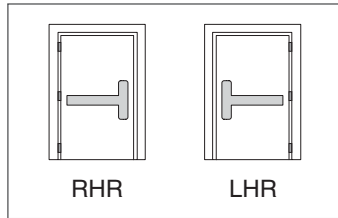
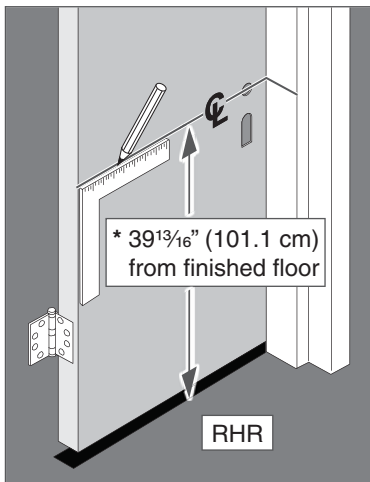
**Customer Service**  
1-877-671-7011    [www.allegion.com/us](http://www.allegion.com/us)

© Allegion 2014  
Printed in U.S.A.  
911373-00 Rev. 05/14-f

## SCREW CHART

Subassembly	Screw		Application
<p><b>A</b></p>  <p>299 Strike    499F Strike</p>		<p>#10-24 x 3/4" (19 mm)</p> <p>#10 x 1 1/2" (38 mm) Wood screw</p>	<p>Metal frame</p> <p>Wood frame</p>
<p><b>B</b></p> 	 <p>Packaged with 990 Trims:</p>	<p>#10-24 x 1" (25 mm)</p> <p>#10-24 x 1 1/2" (38 mm)</p> <p>#10 x 1 1/4" (32 mm) Wood screw</p> <p>#10-24 x 1 3/8" (35 mm)</p> <p>#10-24 x 1 7/8" (48 mm)</p>	<p>Surface mount or Sex bolts 1 3/4" (44 mm) door</p> <p>Sex bolts, 2 1/4" (57 mm) door</p> <p>Surface mount (wood)</p> <p>1 3/4" (44 mm) door, 990 Trim</p> <p>2 1/4" (57 mm) door, 990 Trim</p>
<p><b>C</b></p> 		<p>#10-24 x 3/4" (19 mm)</p> <p>#10-24 x 1 1/8" (29 mm)</p> <p>#10 x 1 1/4" (32 mm) Wood screw</p>	<p>Surface mount or Sex bolts 1 3/4" (44 mm) door</p> <p>Sex bolts, 2 1/4" (57 mm) door</p> <p>Surface mount (wood)</p>
<p><b>D</b></p> 		<p>#10-16 x 3/8" (10 mm) Thread cutting</p>	<p>End cap</p>
<p><b>E</b></p> 		<p>#10-24 x 1" (25 mm)</p> <p>#10 x 1 1/4" (32 mm) Wood screw</p>	<p>Surface mount (metal)</p> <p>Surface mount (wood)</p>
<p><b>F</b></p> 		<p>#8-18 x 3/8" (10 mm) Thread cutting</p>	<p>Center case cover</p>

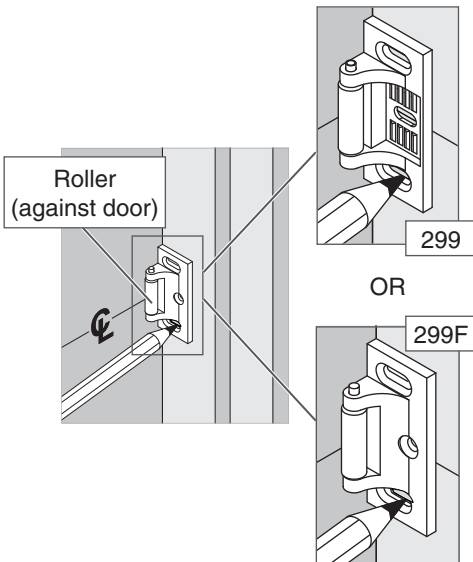
# 1 Draw horizontal device and strike center lines (☿).



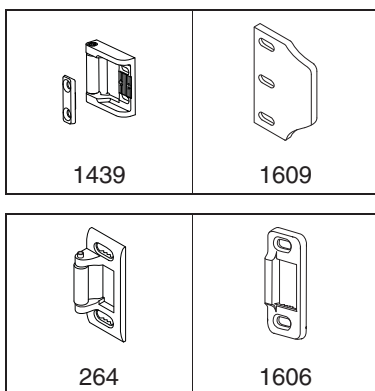
\* For double doors with a mullion and strike already installed, use existing strike center line.

# 2 Align strike on ☿ and mark the two slotted holes.

⚠ For 499F strike installation, see page 6.

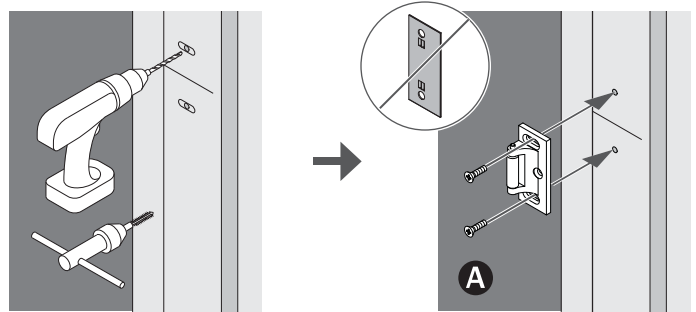


⚠ For more information on the strikes shown below, go to <http://w3securitytechnologies.com> and look for the Support area for Von Duprin installation instructions.



# 3 Prepare 2 holes and install 2 screws.

⚠ See "Screw Chart" on previous page for screw types and sizes

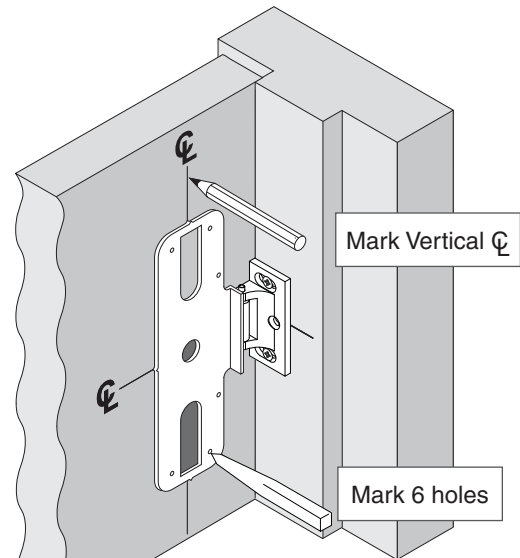


<b>Metal</b>	#25	#10-24

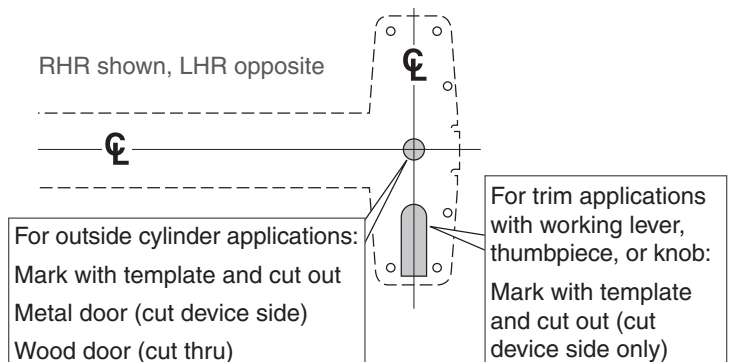
OR

<b>Wood</b>	1/8" (3 mm) x 1" (25 mm) deep

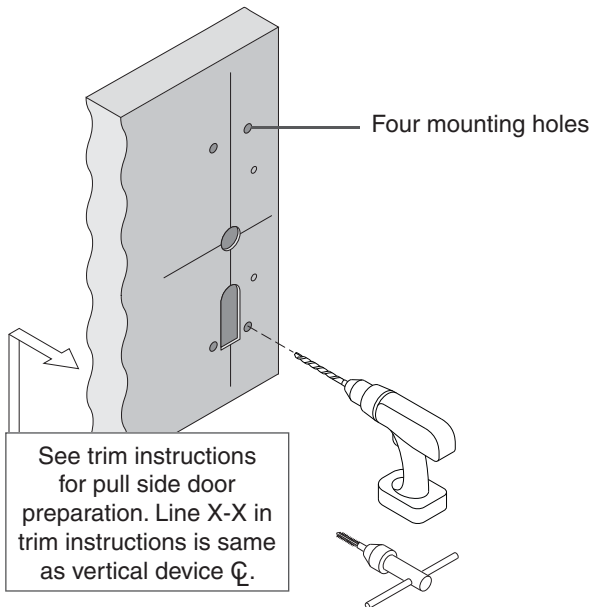
# 4 Position template against strike and on ☿ and mark door.



# 5 If necessary, prepare cutouts for cylinder and trim.

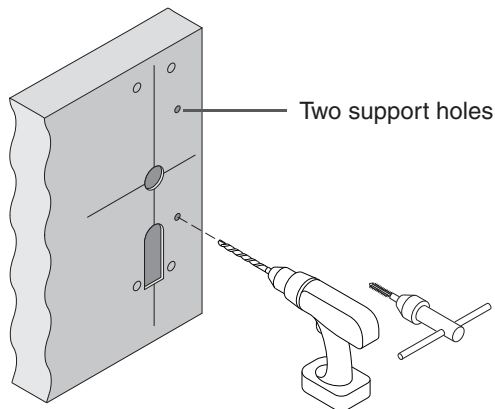


## 6 Prepare 4 center case mounting holes.



SURFACE MOUNT		OR	SEX BOLTS or 990 TRIMS	
WOOD	METAL	WOOD	METAL	1/4" (6 mm) Device Side
	#25		METAL	13/32" (10 mm) Trim Side
WOOD	#10-24	WOOD	METAL	13/32" (10 mm) Drill Thru
	1/8" (3 mm) x 1" (25 mm) Deep		METAL	

## 7 Prepare 2 center case support holes.

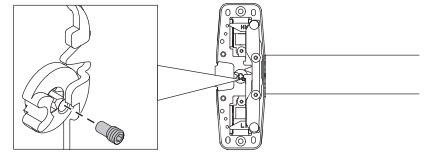


METAL		OR	WOOD	
98/99 and 98/99-F		WOOD	98/99	
#25	1/8" (3 mm) x 1" (25 mm) Deep		98/99-F	
#10-24		#825 Sex bolts (2) required		

## 8 If necessary, remove NL drive screw

### NL drive screw

Factory installed on back of center case



With the NL drive screw removed, key locks and unlocks lever, knob, or thumb piece. For the trims listed below, **REMOVE** NL drive screw.

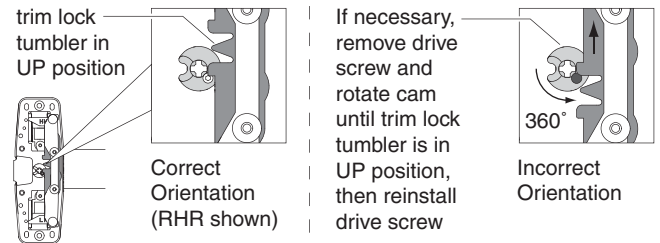
996L	696TP	990TP
996K	697TP	

With the NL drive screw installed, key retracts latch bolt. **DO NOT** remove NL drive screw for the following applications:

NL, EO, DT trims and 98/99-2 double cylinder devices (i.e. TP-2, L-2, and K-2).

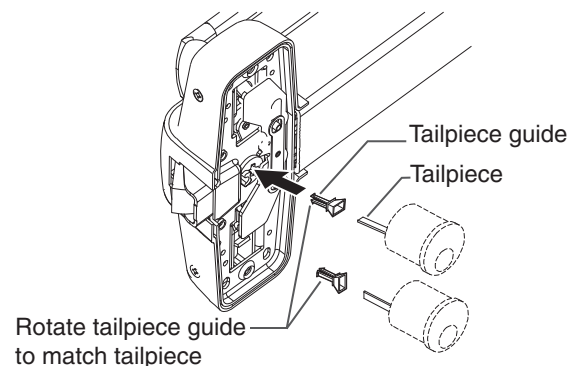
*996L-BE	*E996L	*696TP-BE	*990TP-BE
*996K-BE	*E996L-BE	*697TP-BE	

\* If the trim being installed is "BE" (i.e. 996L-BE), the trim lock tumbler on the back of the device must be in the **UP** position before device is installed. This allows the trim to be unlocked at all times.

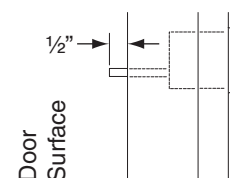


## 9 If using a cylinder with a tailpiece, prepare device and cylinder.

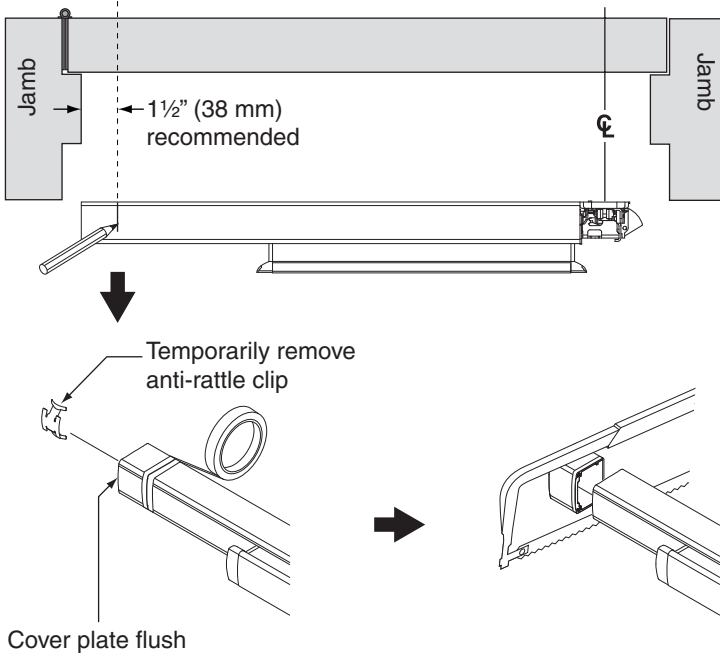
### 9a Install tailpiece guide.



### 9b Cut tailpiece as needed.

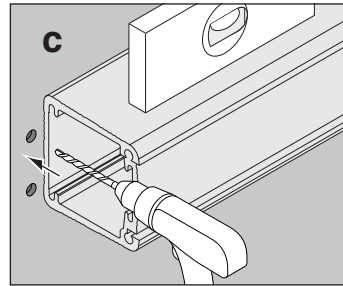
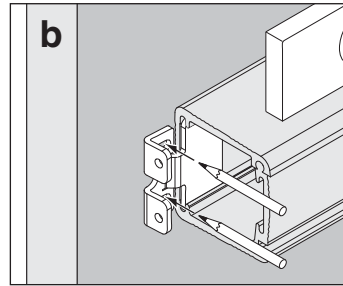
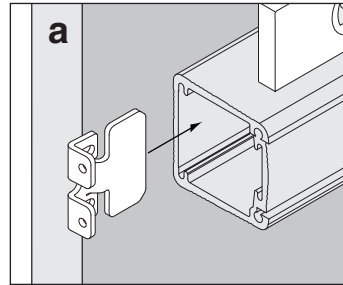


**10** If necessary, cut device.



**12** Mark and prepare two (2) holes.

⚠ Prepare holes after lock side of device is mounted and hinge side is leveled.

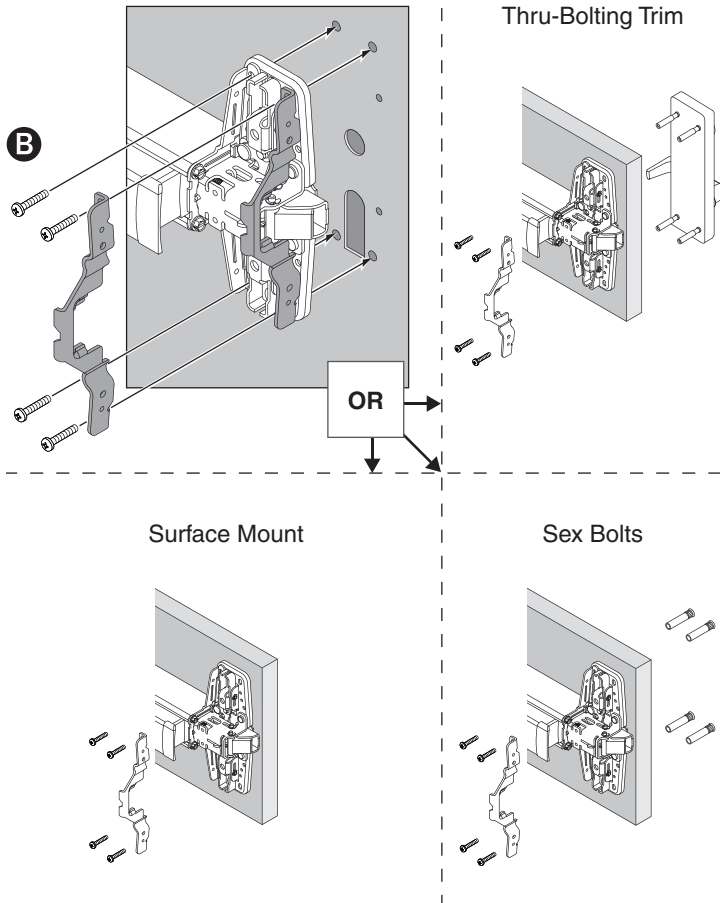


SURFACE MOUNT	
METAL	#25
METAL	#10-24
WOOD	1/8" (3 mm) x 1" (25 mm) Deep

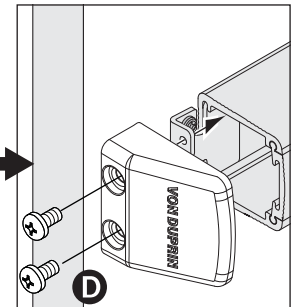
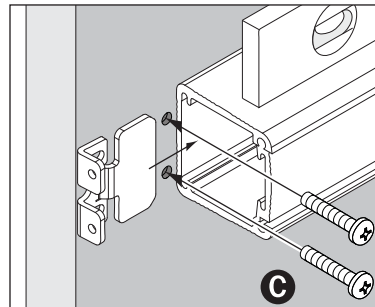
OR

SEX BOLTS	
METAL	1/4" (6 mm) Device Side
METAL	13/32" (10 mm) Trim Side
WOOD	13/32" (10 mm) Drill Thru

**11** Attach center case to door.

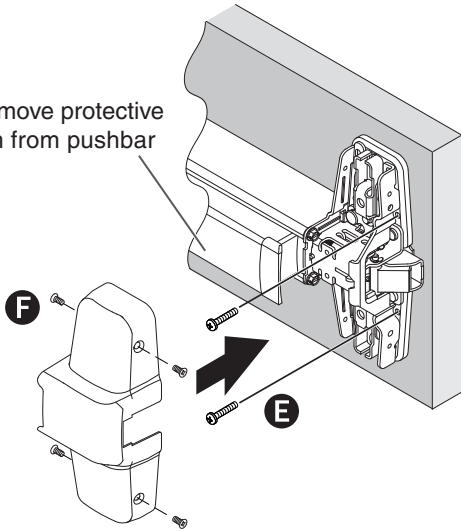


**13** Install end cap bracket and end cap.



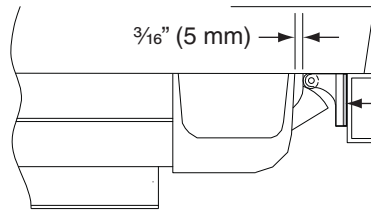
**14** Install required support screws and center case cover.

Remove protective film from pushbar

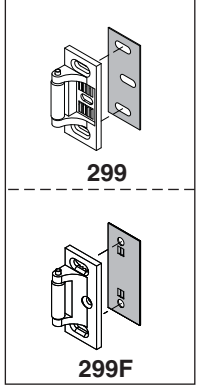


**15** Adjust strike as needed.

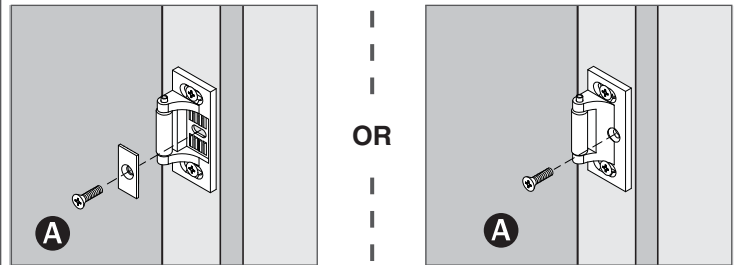
299/299F Strike



Shim as needed



**16** Install strike support screw.



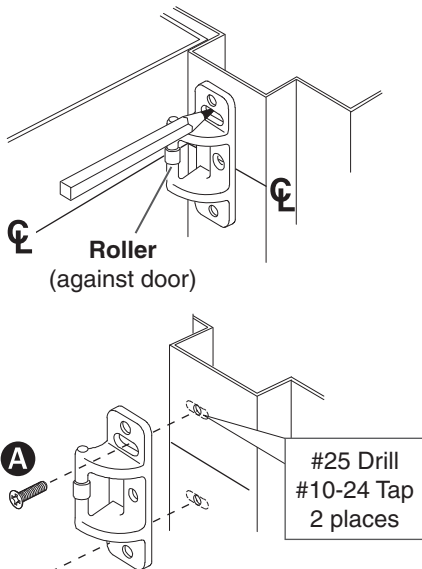
METAL

WOOD

#25	$\frac{1}{8}$ " (3 mm) x 1" (25 mm) Deep
#10-24	

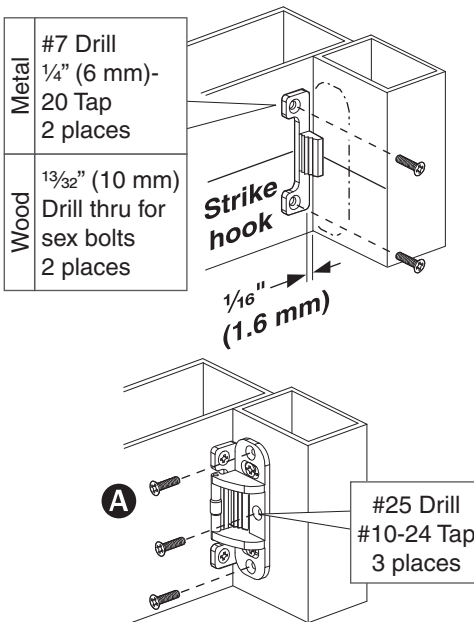
**499F STRIKE INSTALLATION**

1. Prepare and install screws through two strike slots.

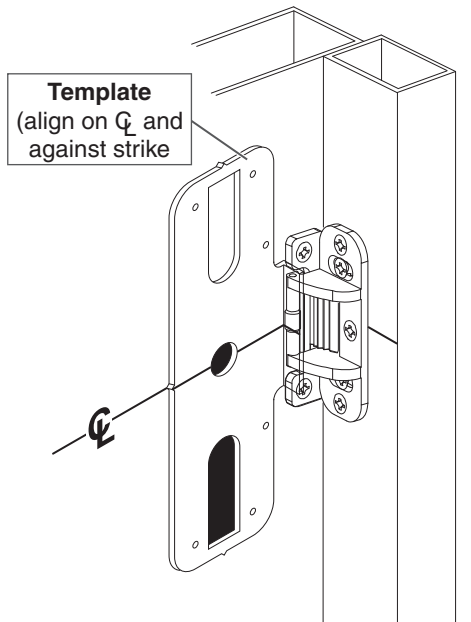


**⚠** If using a mullion, holes may be predrilled

2. Install strike hook and additional strike screws.

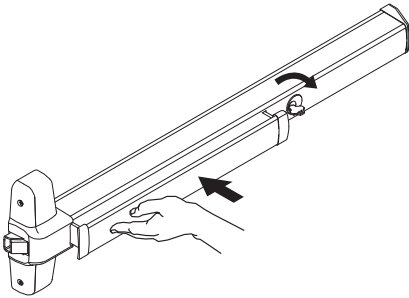
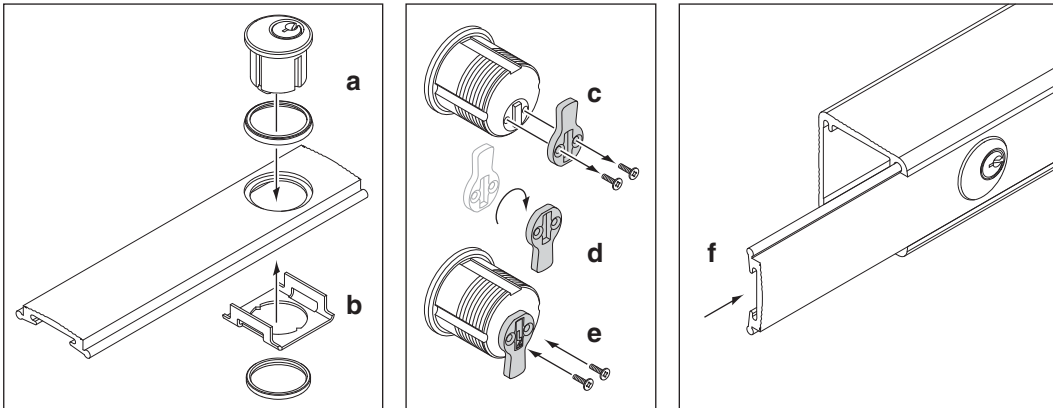


3. Template aligns as shown.

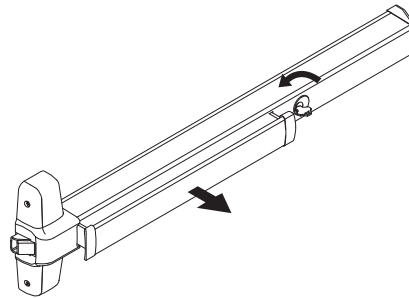


## OPTIONAL EQUIPMENT

### CD (Cylinder Dogging) Option



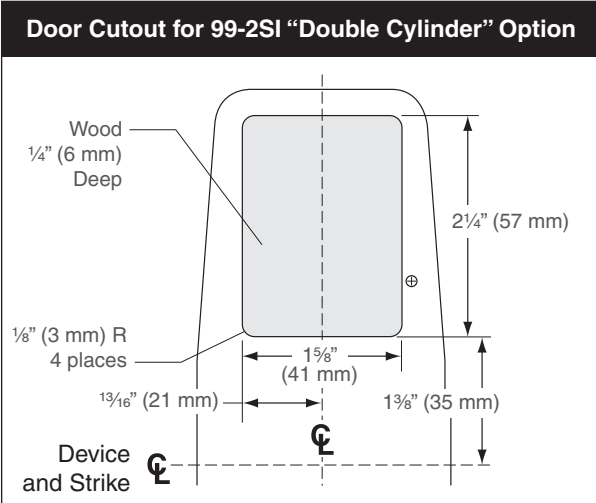
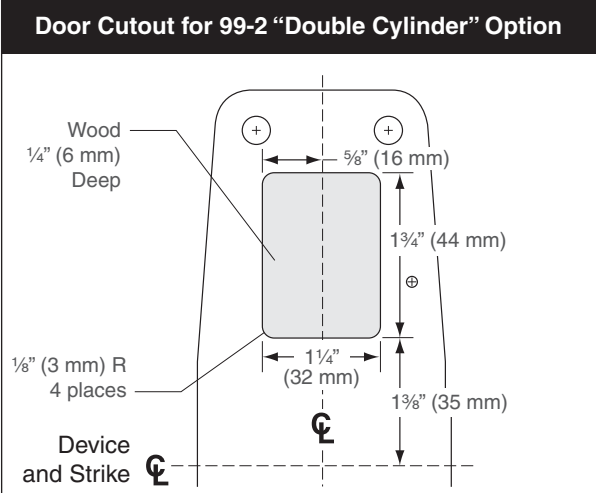
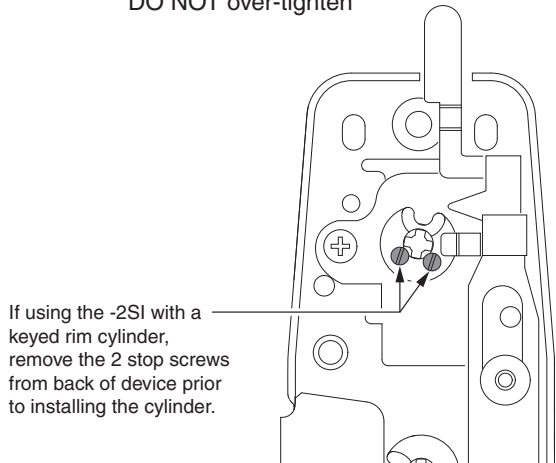
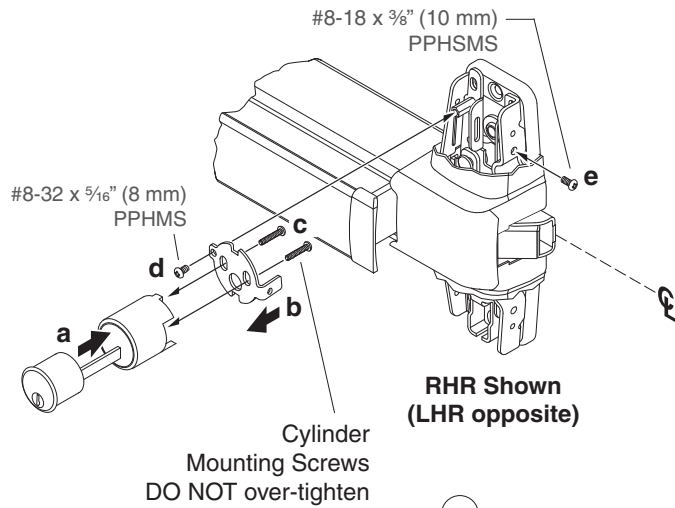
Dog



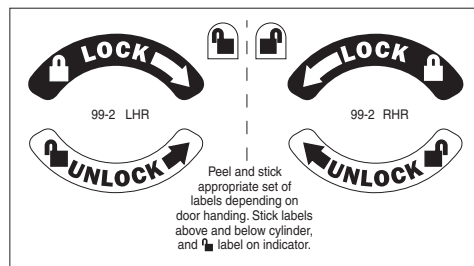
Undog

# OPTIONAL EQUIPMENT

## 99-2 (Double Cylinder) Option



For 98/99-2SI models with Classroom Security Indicator, apply supplied labels above and below cylinder to match door handing, and label on indicator.



**Manually affix the label:**

**Ensure surface is clean of dirt, dust, or oils. Clean with alcohol if necessary.**

**Peel the label from the paper backing and apply to the surface. Minimize handling when applying and use pressure to burnish label to surface. The adhesive will require up to 8 hours to achieve the proper bond.**

