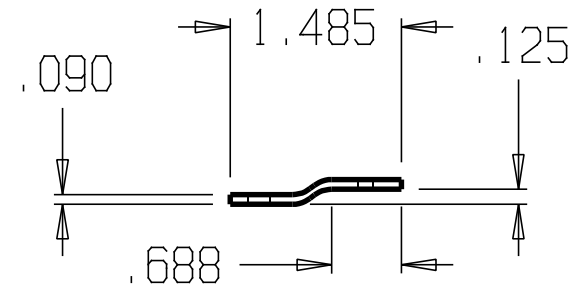
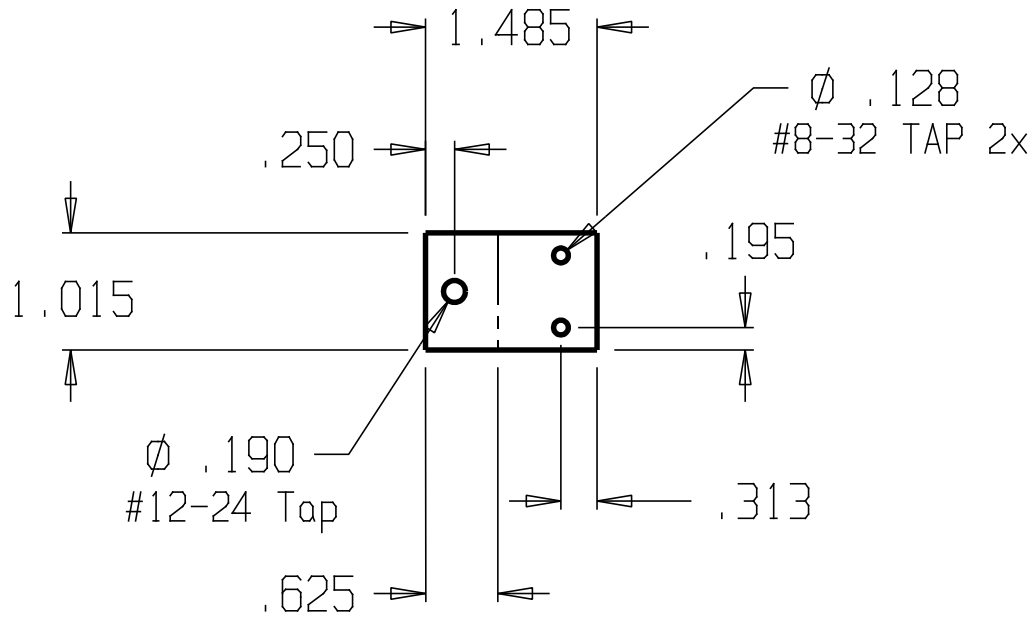


REVISIONS			
ZONE	REV	FINISHES:	GAUGE:
		ZINC PLATED	13ga. .090



DON-JO MFG. INC.

DESIGNER  
APPROVED

SIZE A	DATE: 6/3/04	PART NO. TB-215	REV
SCALE	RELEASE DATE	WEIGHT	SHEET