

DWG NO

SH

REV

REVISIONS

ZONE

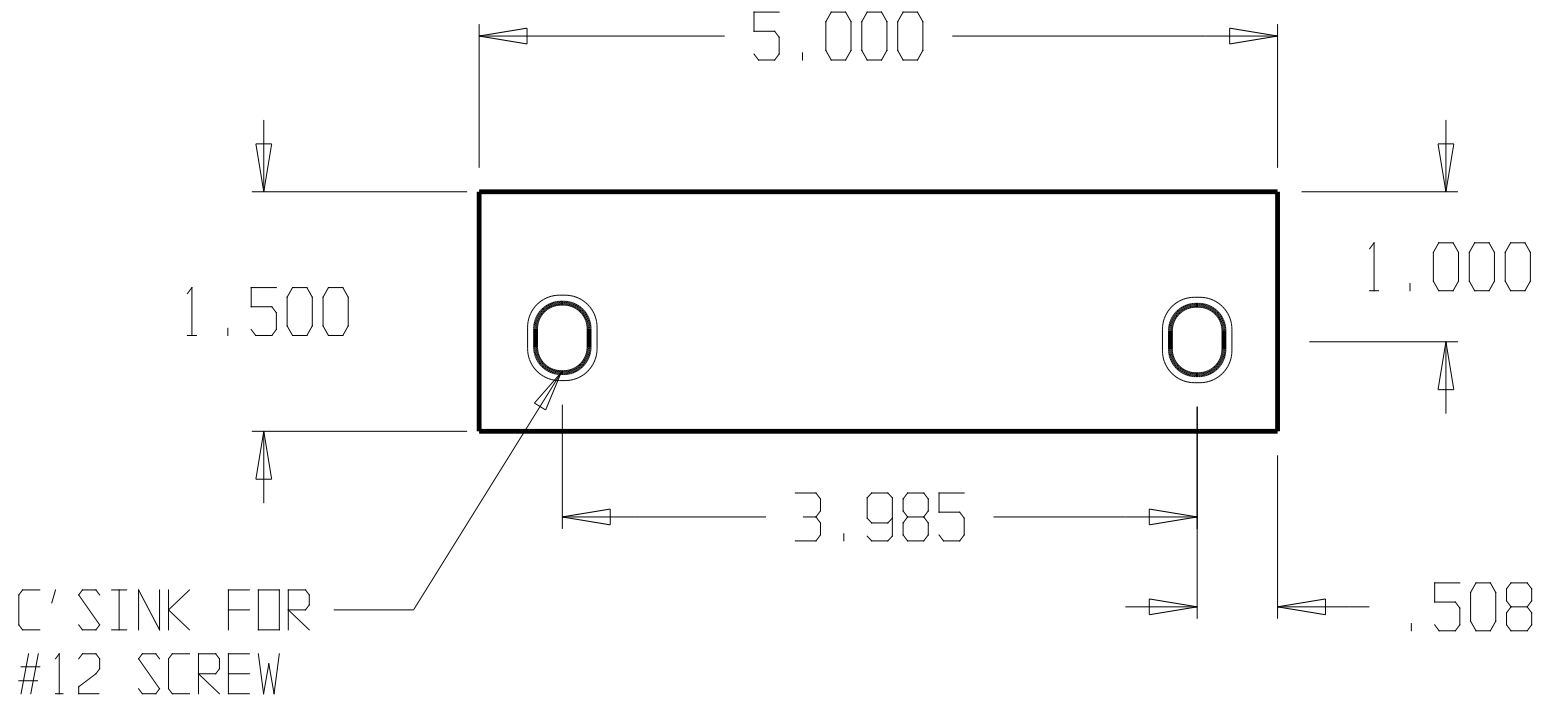
REV

FINISHES:

PC

GALIGE:

10ga. .134



DON-JO MFG. INC.

DESIGNER

SIZE

DATE:

PART NO.

REV

A

5/19/04

SHF-50

APPROVED

SCALE

RELEASE DATE

WEIGHT

SHEET