

DWG NO

SH

REV

REVISIONS

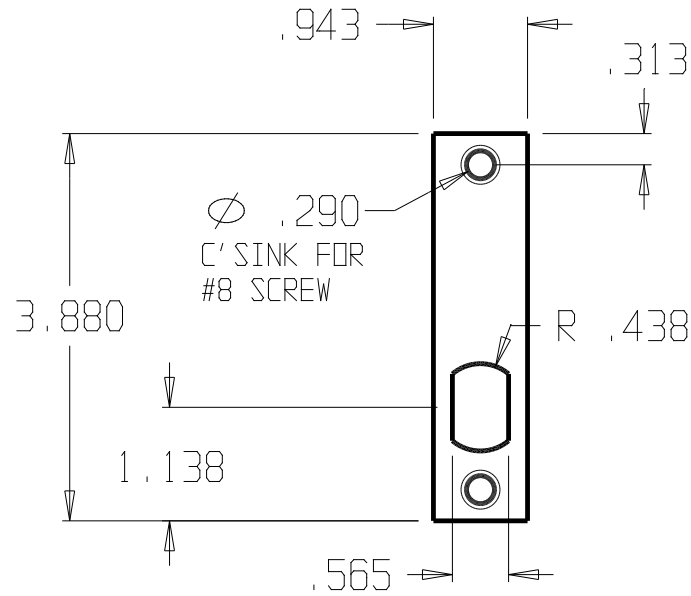
ZONE

REV

FINISHES :

PC

GALIGE :



16ga. .060

DON-JO MFG. INC.

DESIGNER

SIZE

DATE:

PART NO.

REV

A

5/17/04

FBR-A

APPROVED

SCALE

RELEASE DATE

WEIGHT

SHEET