



ULTIMATE HEAVY DUTY CODELOCK



Locks in the CL5000 range are the ultimate standalone electronic door locks. Top of the range digital locks tested to Grade 2 ANSI A156.2/A156.25.

Heavy duty locks for use in high traffic applications. The stylish design incorporates all the features of CL2000 and CL4000, in a larger, more robust assembly. Unlike the other electronic locks, the CL5000 has a conventional 3x4 button keypad layout for instant familiarity, providing quick programming with a multiple range of functions. Particularly suitable for use in health, educational, commercial and residential environments.



Easy to install



On the door programming



Two year limited warranty*

80

Up to 80 User Codes

FEATURES

- Key bypass and front cylinder change
- Suitable for wooden / metal doors between 1³/₈" - 2³/₈" thick
- User Codes 4, 5 or 6 digits long
- Allows up to 10 one time User Codes
- Up to 200,000 operations from 4 x AA batteries (supplied)
- Remote release connections
- Suitable for interior and exterior use
- Tamper time out and low battery warning
- Locked and unlocked LED indicator option
- Tested to Grade 2 ANSI A156.2 / A156.25
- UL/ULC Fire Rating 3 hours



LOCK MODELS



Panic Access Kit

Front plate only. Install with new or existing panic equipment. The follower on the panic equipment must return to square to align with follower on the lock.



Tubular Latch

Medium duty tubular latch retracts via the outside knob after a valid code input. When the door closes, the spring latch will lock the door.



Back to Back Option (BB)

Medium duty tubular mortise latch. Two coded plates for installation on both sides of the door. Provides coded access in both directions.

Other Models Available:

CL5250 Mortise Lock

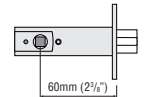
Grade 1 ANSI American Mortise Latchbolt.

IC Cylinder Option

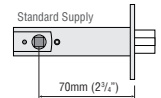
Prepped to receive a Small Format Interchangeable Core. Please note we do not supply core or keys.



Two Tubular Latch Sizes Available:



Requires 1" x 3 1/4" (25mm x 82mm) hole



Requires 1" x 3 3/8" (25mm x 92mm) hole

ADDITIONAL FEATURES

Storeroom Function

Fitted as standard i.e. the latch can be retracted by turning the key.

Code Management

Program and manage codes via the keypad while the lock is on the door. All models also feature a passage function.

ANSI Mortise Options

2 3/8" (70mm) backset. US mortise door prep type 86 cut out ANSI A115.1.

Classroom Function

Tailpiece supplied to allow (when fitted) lock to be left in passage function when the key is removed.

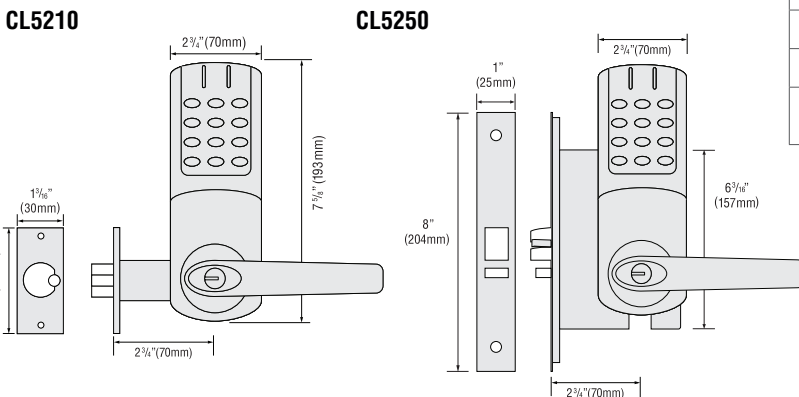
Remote Release

Two REM ports are provided for connection to external switches or alarm systems.

TECHNICAL SPECIFICATIONS

FEATURE	DESCRIPTION
Spindle Type	Two part 5/16" (8mm) spring loaded spindle
Operations	Up to 200,000 per set of 4 x AA batteries, 8 x AAA for CL5210 BB model
Tubular Latch	Medium duty deadlocking latch
Low Battery Warning	Red LED will flash on opening to indicate low battery
Buttons	Individual stainless steel buttons
Material	Zinc Alloy
Finish Color	Brushed Steel, Polished Brass and Flat Black
Non Handed	Locks will fit doors hung on the left or right
Door Thickness	1 3/8" - 2 3/8" (35mm - 60mm)
Key Bypass	As standard and front cylinder change
Keyed Alike	Locks can be supplied keyed alike on request
Memory	Stores up to 80 User Codes
Install Options	Vertical only
Suitable For	Interior and exterior use
Standards	Tested to Grade 2 ANSI A156.2/A156.25 UL/ULC Fire Rating 3 hours

PRODUCT DIMENSIONS



www.codelocks.com

