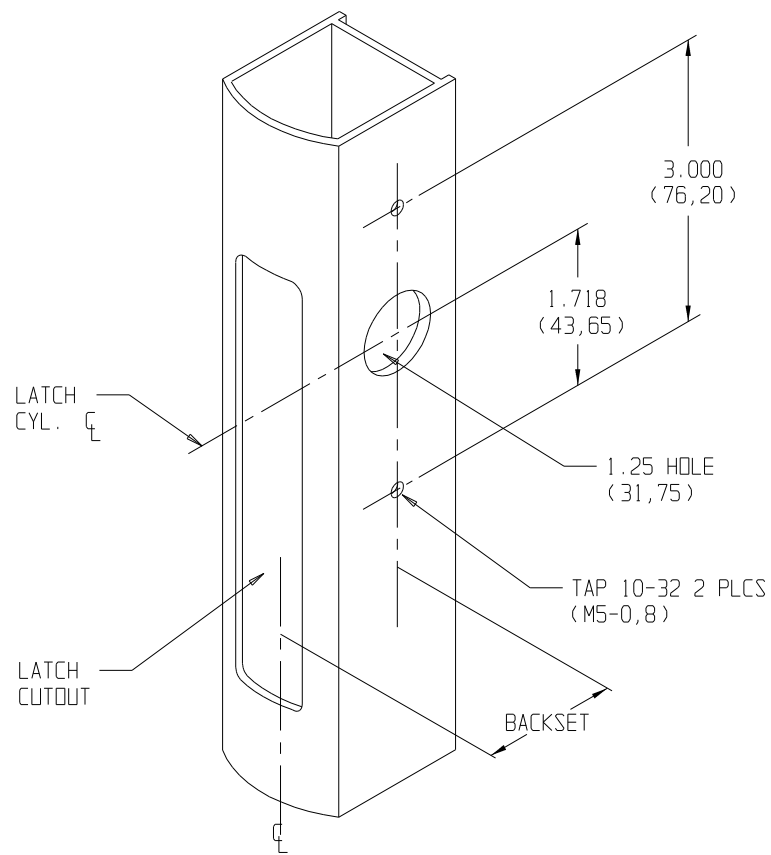


**4580 CAM DISC**

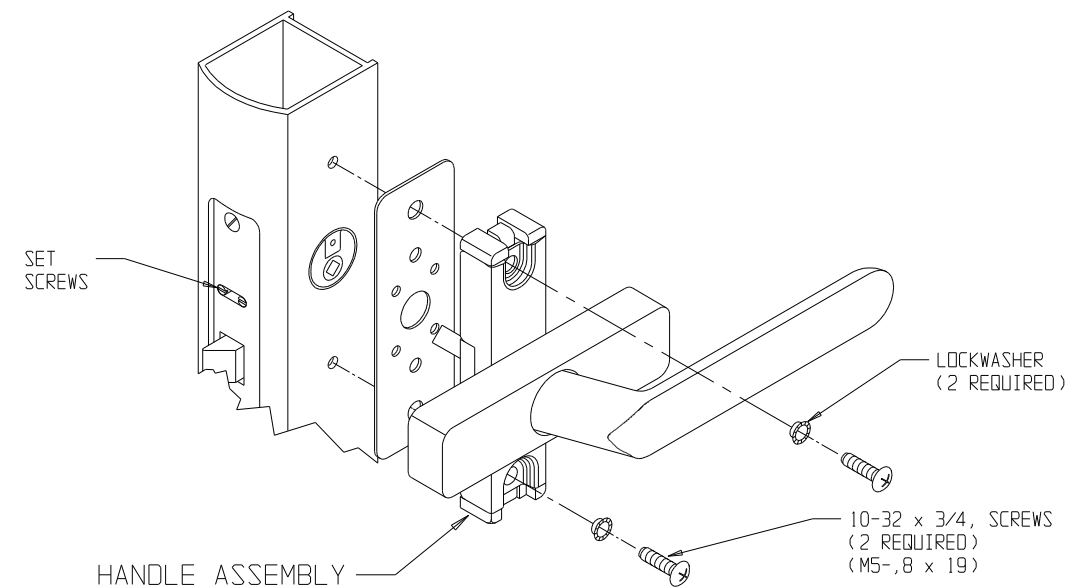
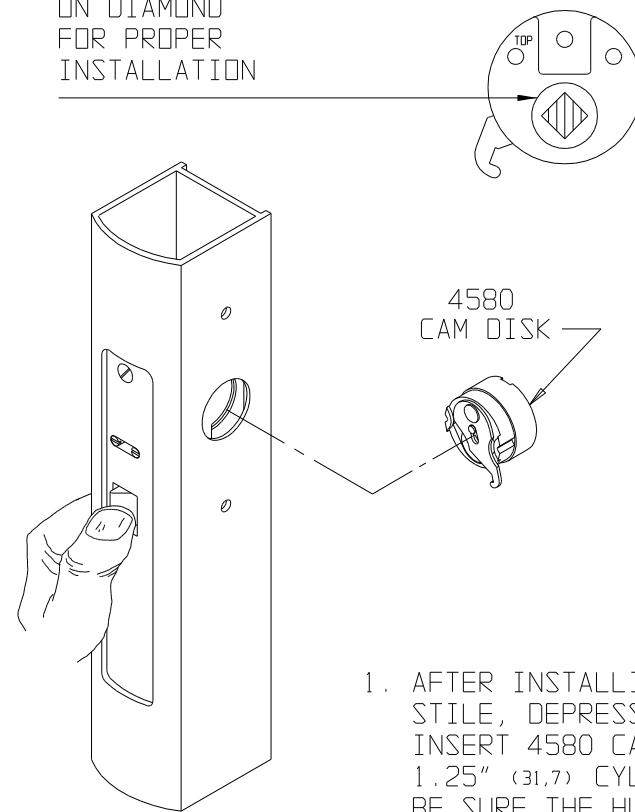
INCLUDED WITH 4568 HANDLE  
REQUIRED TO OPERATE 4500 & 4700  
SERIES LATCHES.



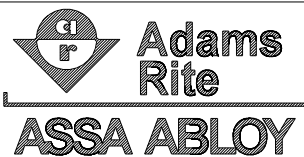
**STILE PREPARATION**

FOR 4568 HANDLE WITH DEADLATCH

HUB MUST BE  
ON DIAMOND  
FOR PROPER  
INSTALLATION



1. AFTER INSTALLING LATCH IN STILE, DEPRESS BOLT AND INSERT 4580 CAM DISC THRU 1.25" (31,7) CYLINDER HOLE AS SHOWN. BE SURE THE HUB IN THE CAM DISC IS ON THE DIAMOND AS SHOWN ABOVE.
2. SEPARATE COVER FROM FRAME BY PUSHING APART. COVER IS RETAINED BY DIMPLES AT EACH END.
3. COVER CANNOT BE SEPARATED FROM HANDLE BUT ROTATES TO EXPOSE MOUNTING SCREW HOLES.
4. INSTALL THE HANDLE ASSEMBLY, INSERTING THE SQUARE SPINDLE INTO THE HUB OF THE CAM DISC. SECURE THE HANDLE ASSEMBLY WITH (2) #10 SCREWS AND LOCKWASHERS (M5). MAKE SURE THE BACK PLATE IS PROPERLY LOCATED ON THE TWO BOSSES ON THE MOLDED FRAME.
5. INSTALL COVER BY PUSHING OVER FRAME UNTIL DIMPLES IN END OF COVER SNAP IN PLACE.
6. TIGHTEN THE SET SCREWS IN THE LATCH MOUNTING PLATE, AND INSTALL THE LATCH FACE PLATE.



www.adamsrite.com  
Phone: 800-626-7590  
800-872-3267  
Fax: 866-582-4641  
800-232-7329

**80-0180-99**

Rev. E

Ecn 11955B

PRODUCT MUST BE INSTALLED  
ACCORDING TO ALL APPLICABLE  
BUILDING AND LIFE SAFETY CODES

**4568 HANDLE FOR  
1 3/4" ( 44 mm ) METAL DOORS**

Page 1 of 1

Appvd: MP

Date: 07/06/12