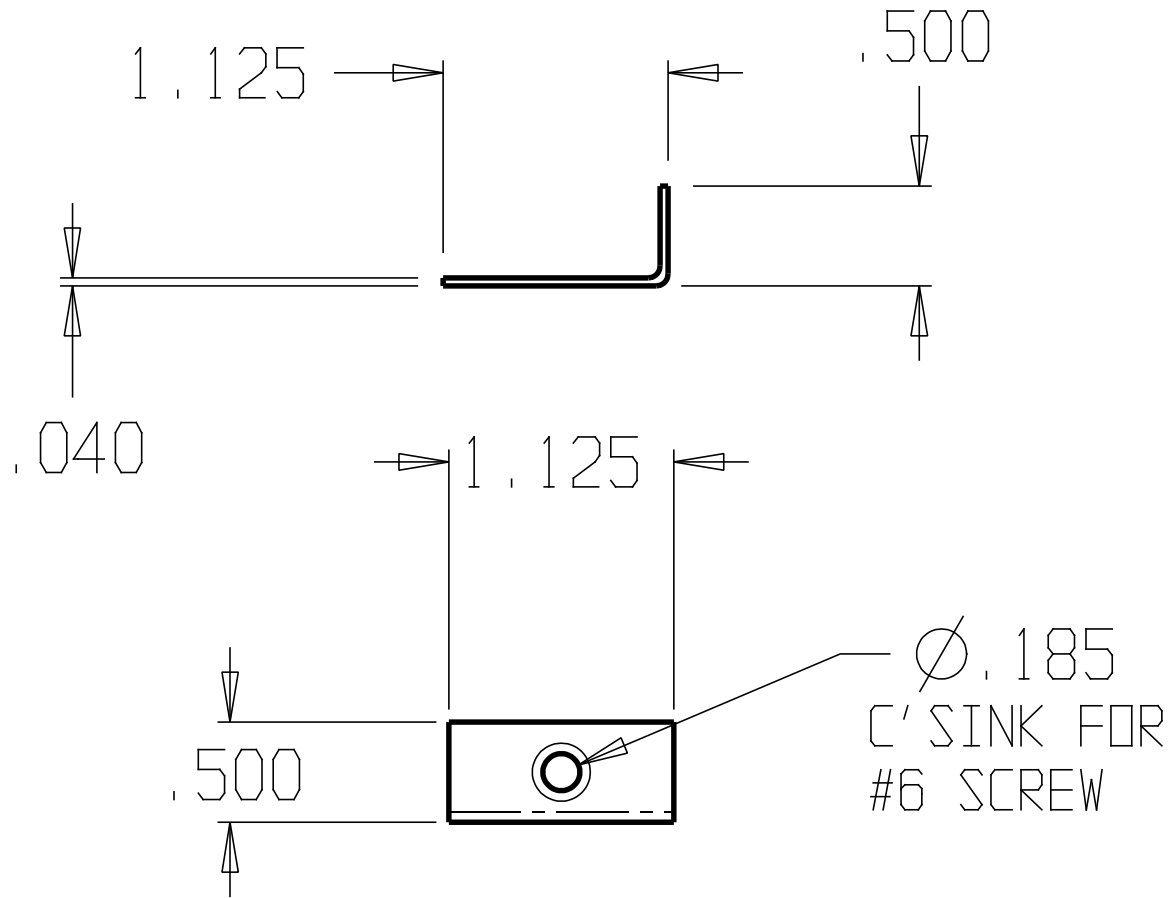


REVISIONS		
ZONE	REV	FINISHES:
		605, 606, 626
		GALUGE:
		18ga. .050



DON-JO MFG. INC.

DESIGNER  
APPROVED

SIZE: A  
DATE: 5/3/04  
SCALE:      RELEASE DATE:

PART NO. AP-34  
WEIGHT:      SHEET:      REV: