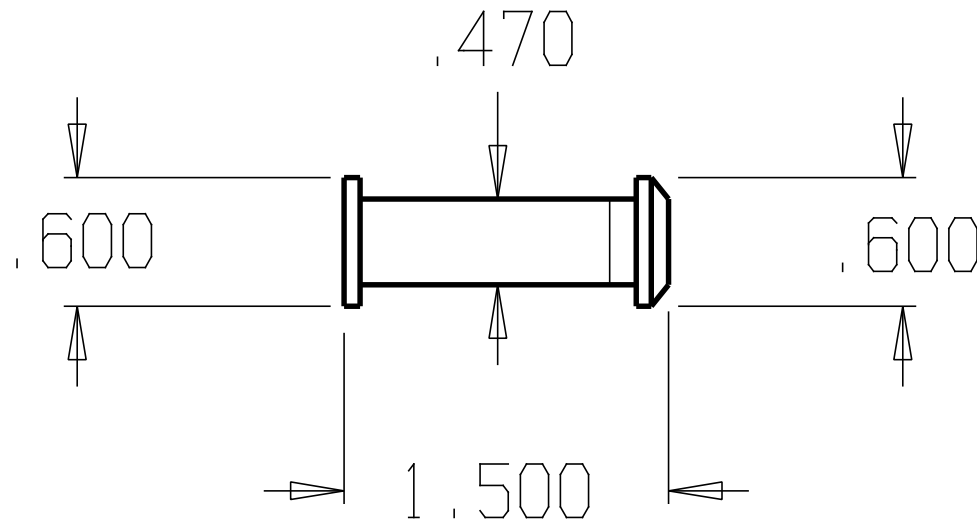


DWG NO	SH	REV
--------	----	-----

REVISIONS		
ZONE	REV	FINISHES: 605, 626
		GAUGE:



DON-JO MFG. INC.

DESIGNER	
APPROVED	

SIZE	DATE:
A	6/4/04
SCALE	RELEASE DATE

PART NO.	REV
ULDV-90	
WEIGHT	SHEET