

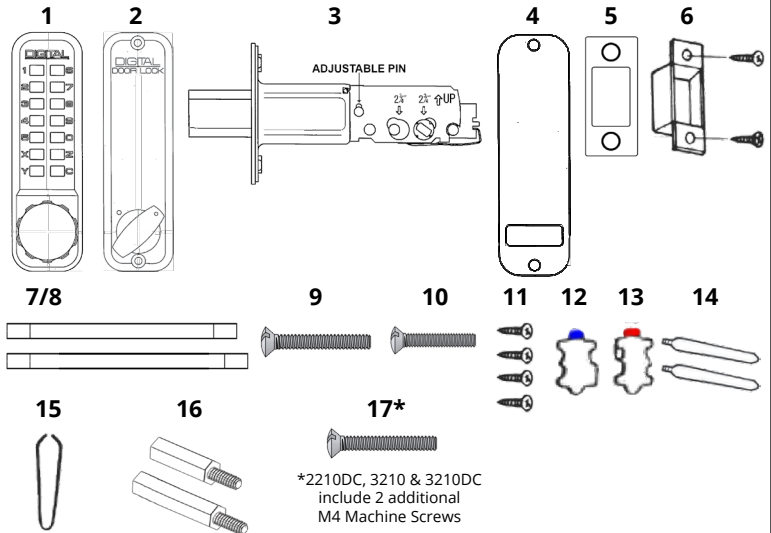


# 2210 / 3210 Deadbolt Installation Instructions

2210, 2210DC, 3210, 3210DC

Need help? Contact Technical Support at 888.395.0163. M-Th 8am - 5pm, Friday 8am - 3pm EST

Part #	Part Name	2210	3210	2210DC	3210DC
1	Outside Body	1	1	1	1
2	Inside Body	1	1	1	1
3	Adjustable Deadbolt	1	1	1	1
4	Rubber Trim Plate	2	2	2	2
5	Strike Plate	1	1	1	1
6	Mortised Striker	1	1	1	1
7	Spindle (45-55mm)	1	1	1	1
8	Spindle (35-45mm)	1	1	1	1
9	Machine Screw M4x50mm	2	2	2	2
10	Machine Screw M4x35mm	2	2	2	2
11	Wood Screw M4	4	4	4	4
12	Non-Combination Tumbler BLUE	2	2	4	4
13	Combination Tumbler RED	1	1	2	2
14	Brass Support Pin	2	2	2	2
15	Tweezers	1	1	1	1
16	Hex Bolts	2	2	2	2



## INSTALLATION INSTRUCTIONS

### Step 1. Change User Code.

If you wish to change your code, see instructions on reverse side.

### Step 2. Prep Door for Installation with Template

Note: For pre-prepped 2 1/8" doors, you will only need to drill the top hole.

- Place supplied template on the door and fold along the door's edge.
- Mark holes for 2 3/8" or 2 3/4" backset.
- Drill holes as instructed.

### Step 3. Identify Door Handing (Diagram 1 & Diagram 2)

Right-hand doors: From exterior of the door, hinges are on the right side.

Left-hand doors: From exterior of door, hinges are on the left side.

- The 2210/3210 is factory pre-handed for right-hand doors.
- To change handing, remove the two blue screws and cover plate from the Outside Body.
- Move the pin to the hole on the opposite side. Replace plate and screws.
- If you have a 2210DC/3210DC (Double Combination), the handing pin on the Inside Body must be placed in the opposite position from the Outside Body.**

### Step 4. Install Support Pin & Install Hex Bolts (if necessary) (Diagram 3)

- Install the Brass Support Pin into either hole on the Outside Body as shown.
- For additional deadbolt support, insert both support pins.
- If the Hex Bolts did not come pre-screwed into the 2210/3210, screw Hex Bolts into the top & bottom holes of your lock.

### Step 5. Adjust Deadbolt (if necessary) & Install Deadbolt (Diagram 4)

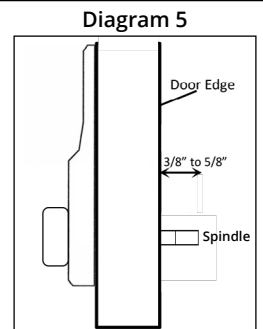
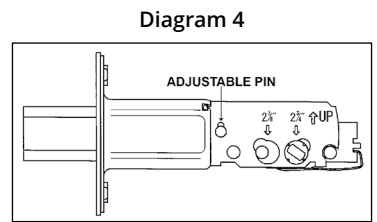
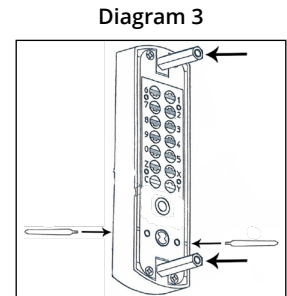
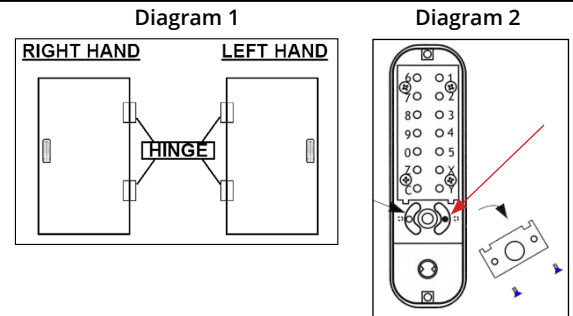
- The Adjustable Deadbolt is preset to 2 3/8". To adjust, lift pin and slide to 2 3/4".
- With the arrow on the Adjustable Deadbolt pointed UP, insert the Adjustable Deadbolt into the door and secure with two Wood Screws.

### Step 6. Verify Correct Spindle Length (Diagram 5)

- With the Adjustable Deadbolt installed, hold the Inside Body and the Rubber Trim Plate to the interior of the door.
- Insert Spindle through the Adjustable Deadbolt into the Inside Body as far as possible.
- The Spindle should extend from the exterior of the door a minimum of 3/8" to a maximum of 5/8".
- If the 30-45mm Spindle is too long, cut it to the correct length.

**Important: If the spindle extends less than 3/8", it may not engage the lock.  
If the spindle extends more than 5/8", it will cause the lock to bind.**

Instructions continued on reverse side...



## INSTALLATION INSTRUCTIONS, CONTINUED

### Step 7. Install the 2210/3210 (Diagram 6) (Diagram 7)

- Place the Rubber Trim Plate on the backside of the Outside Body.
- Hold the Outside Body to the door. Hex Bolts should extend into the top and bottom holes. The Support Pin(s) screwed into the Outside Body should extend through the hole(s) in the Adjustable Deadbolt.
- While holding the Outside Body on the exterior of the door, insert the Spindle from the inside of the door into the Outside Body at the angle shown in Diagram 6 to the right:  
**For Right-hand doors: Insert Spindle at the 2:00/8:00 position.**  
**For Left-hand doors: Insert Spindle at the 10:00/4:00 position.**
- Using a screwdriver, secure the lock on the door with the appropriate length screws, depending on door thickness.
- Test the operation of the lock by turning the inside knob.
- Locate the position where the Deadbolt strikes the door frame and install the Mortised Striker and Strike Plate.

## HOW TO USE YOUR LOCK

### From the Exterior:

- To lock: Turn the knob away from the hinges.  
To unlock: Enter your code and turn the knob toward the hinges.

### From the Interior:

- To lock: Turn the knob away from the hinges.  
To unlock: Turn the knob toward the hinges.

### From the Interior, for Double Combination locks:

- To lock: Enter your code and turn the knob away from the hinges.  
To unlock: Enter your code and turn the knob toward the hinges.

## TROUBLESHOOTING

- If you can unlock your lock without entering a code, your handing may be incorrect. Refer to Step 3, Diagram 1 & 2.
- If your knob is hard to turn, your spindle may be too long.
- If you turn the knob and it does not retract the deadbolt, your spindle may be too short. Refer to Step 6, Diagram 5.
- Contact LockeyUSA Technical Support for assistance at 888.395.0163.

## HOW TO CHANGE YOUR USER CODE

- Using a #2 screwdriver, remove the 4 red screws.
- Carefully remove the cover plate.

**Warning: Springs are attached to cover plate.**

- Press and HOLD 'C' Button to release tumblers.  
**Important: 'C' Button must be held down while removing and inserting tumblers. Failure to do so will damage the lock and void the warranty.**

**RED = CODE, BLUE = NON-CODE, C = CLEAR (DO NOT REMOVE)**

- While holding the 'C' Button, remove/add tumblers to create your desired code, with the colored end up.  
**DO NOT FORCE TUMBLERS INTO POSITION. Ensure tumblers are inserted the correct way by lining up the raised bump on the face of the tumbler with the channeled slot in the lock. Channel is on opposite sides in each column. (See How to Change Code Image #4, far right).**

- After changing your code, release the 'C' Button to secure tumblers in place.

- Replace the cover plate and secure with 4 red screws.

- Test your new user code before installing/re-installing the lock.  
**Important: Double Combination locks do NOT come with the same user code on both sides. If desired, you will need to set the user codes to match on both sides.**

Diagram 6

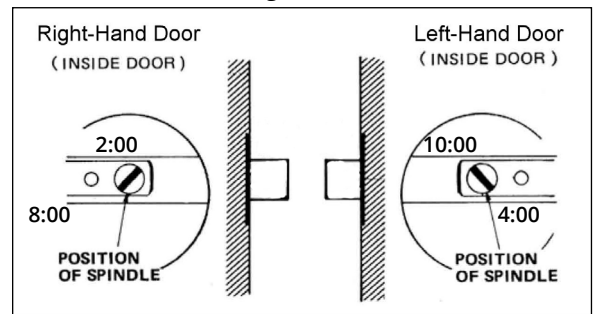
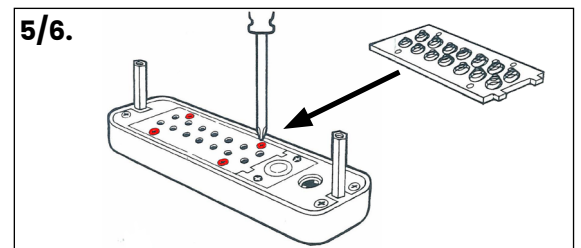
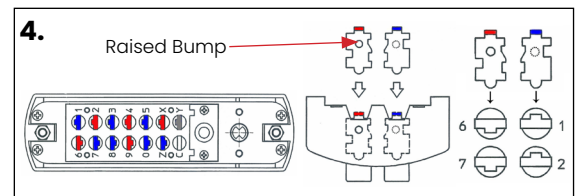
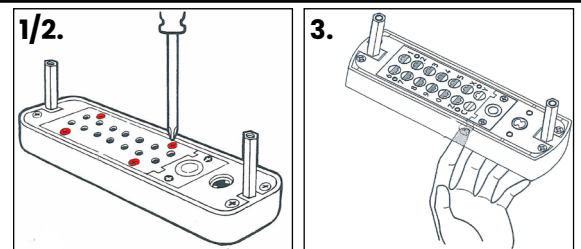
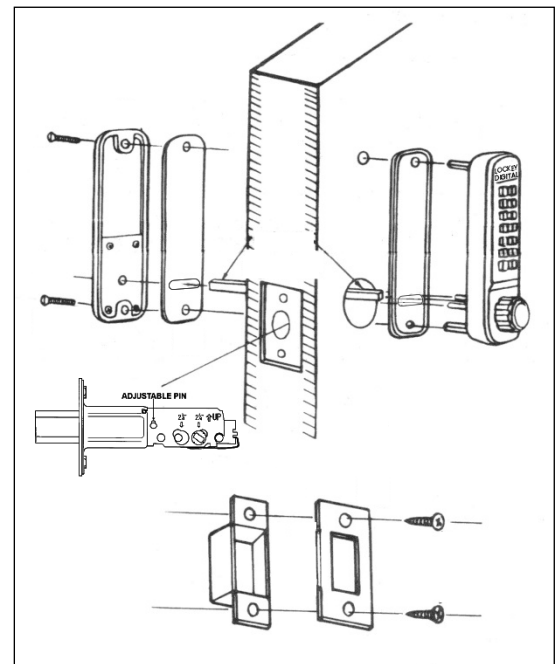


Diagram 7



# TEMPLATE

## ADJUSTABLE DEADBOLT

### BS60

No.3210  
25.4mm(1")THROW

