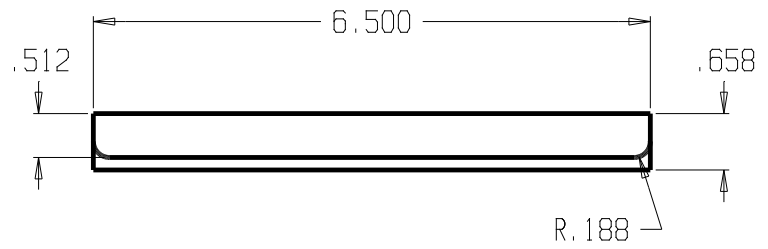
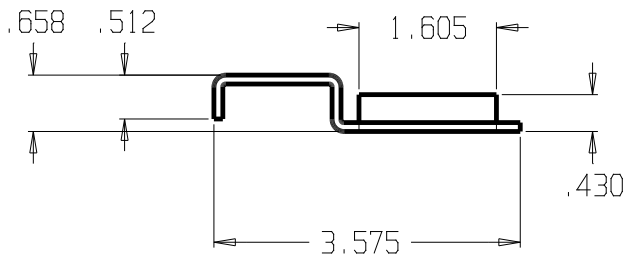
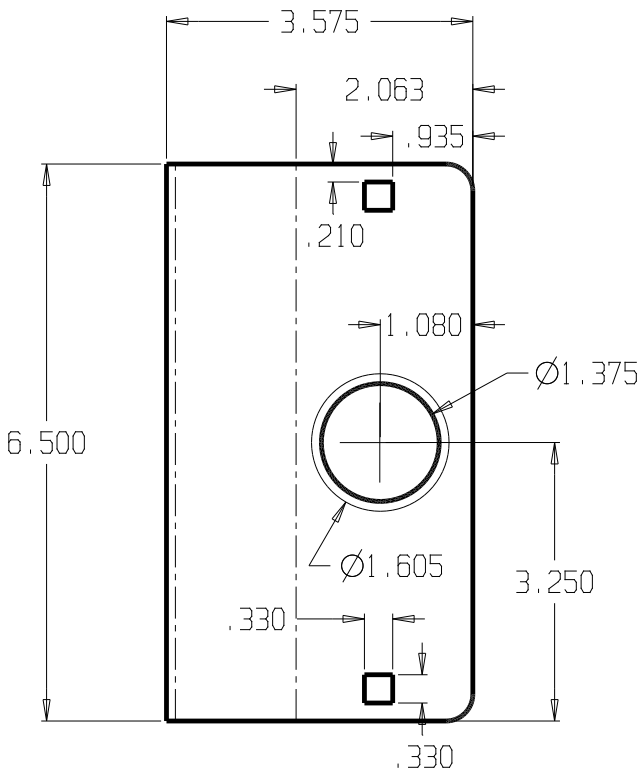


DWG NO.	SH	REV
---------	----	-----

REVISIONS		
ZONE	REV	FINISHES:
		DU & SL
		GALUGE:
		12ga. .104



DON-JO MFG. INC.

DESIGNER	D.R.	SIZE	A	DATE:	4/1/11	PART NO.	NELP-207	REV
		SCALE		RELEASE DATE		WEIGHT		SHEET