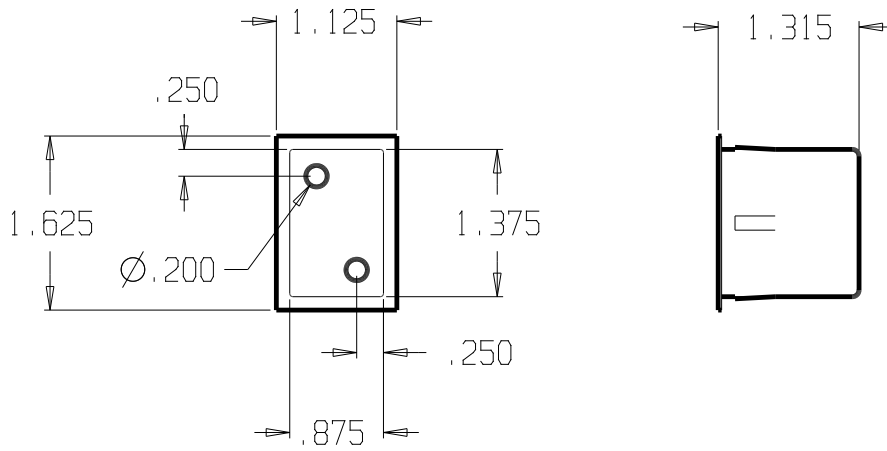


DWG NO.	SH	REV
---------	----	-----

REVISIONS			
ZONE	REV	FINISHES :	GALUGE :



DON-JO MFG. INC.	
DESIGNER	D.R.

SIZE	DATE:	PART NO.	REV
A	12/3/15	TS-200	
SCALE	RELEASE DATE	WEIGHT	SHEET