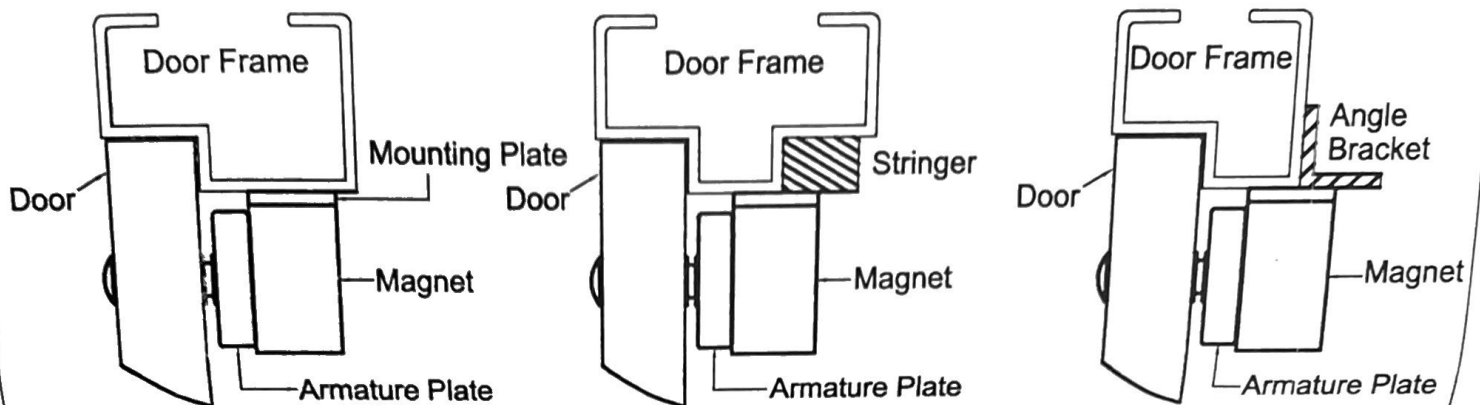


Instructions For Electro Magnetic Locking Devices

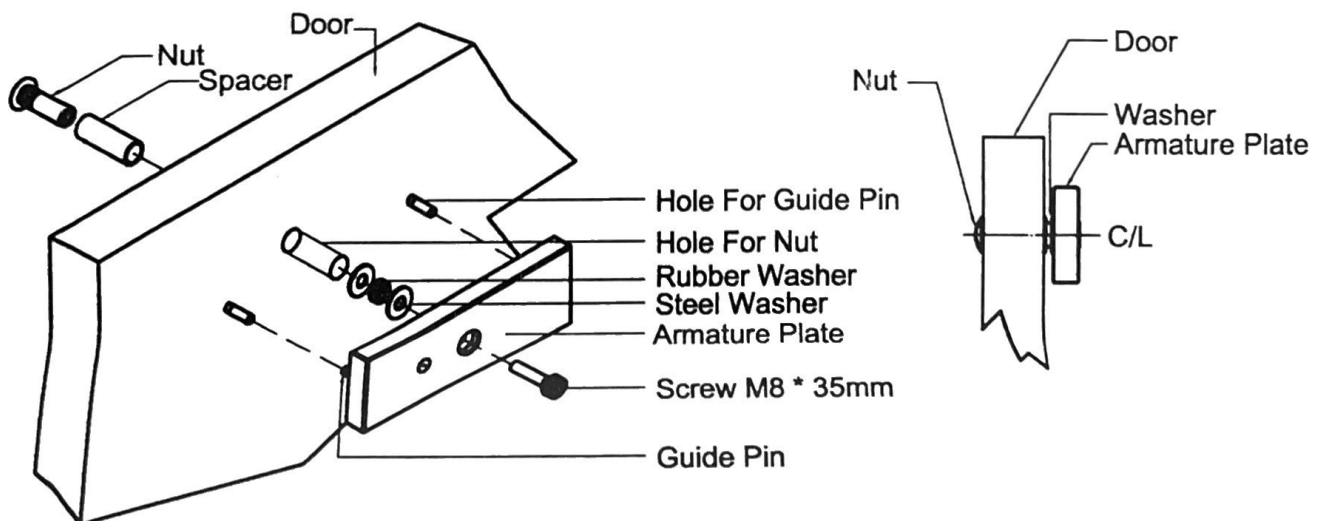
IMPORTANT: Before Installing Magnetic Lock Please read carefully

- A. Handle the equipment with care. Damaging the mating surfaces of the magnet or armature plate may reduce locking efficiency.
- B. The magnetic mounts rigidly to the door frame. The armature plate mount to the door with hardware. Kit provided that allows it to pivot about its center to compensate for door wear and misalignment.
- C. Template use must take place with the door in its normally closed position.
- D. Before installing, add the threadlocker to all screws. Firmly tighten the screws to avoid fastening loosen.

Typical Installation :



Armature Plate Mounts to the Door



★★ **Important :** Fix the armature plate not too tightly, and make the rubber washer more flexible, in order to make the armature plate automatically adjust its proper position with the magnet.