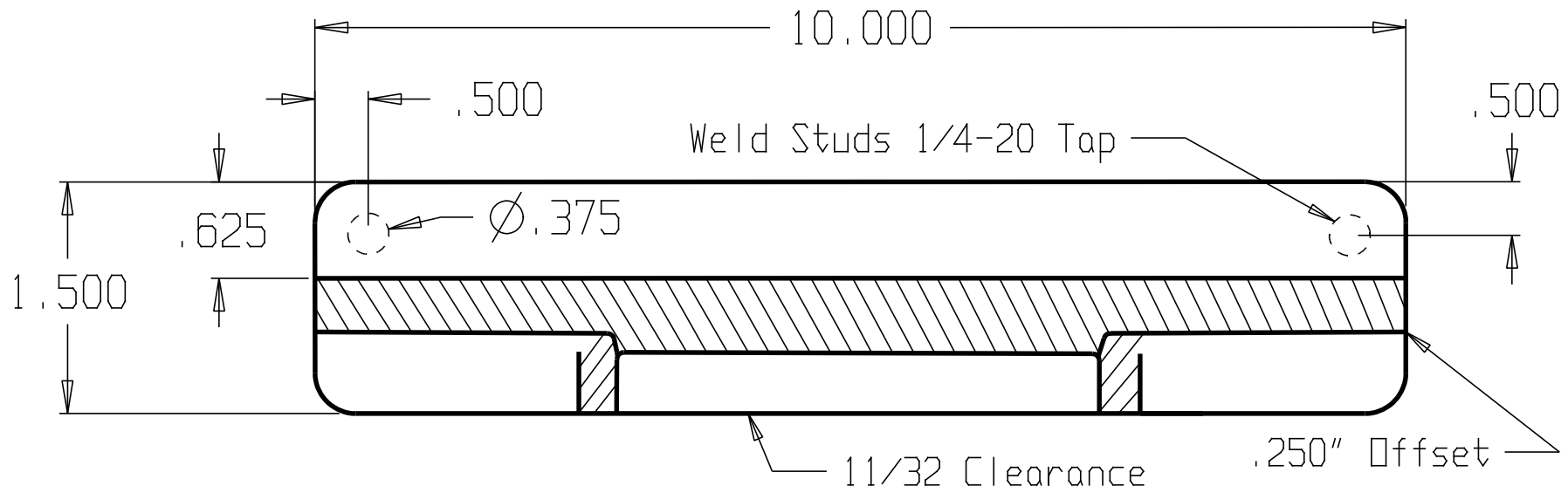


REVISIONS		
ZONE	REV	FINISHES:
		DU, PC & SL
		GAUGE:
		12ga. .104



DON-JO MFG. INC.

DESIGNER	
APPROVED	

SIZE	DATE:	PART NO.	REV
A	5/6/04	NLP-210	
SCALE	RELEASE DATE	WEIGHT	SHEET