

101-DE Series

Delayed Egress Controllers



SDC's 101-DE series delayed egress controllers incorporate all ExitCheck® features into a two piece delayed egress system where the door is closed and secured by delayed egress locking hardware. The 101-DE series delayed egress controller sends power to the slave operating magnetic locks or exit devices to lock the door in a secured position. The integrated digital display on the 101-DE controllers provide an alternating verbal message, verbal countdown and alarm tone, plus a large digital countdown display and door release indicator to provide a clear warning for the safety of persons without prior knowledge of door operation, including the blind and hearing impaired. **A built-in three function digital keypad provides reset, and timed or sustained bypass.** Designed to delay egress through perimeter exit doors for 15 or 30 seconds, alert security and personnel to unauthorized egress, and are compatible with access controls and patient wandering systems.

A choice of operation mode allows users to meet their local code compliance while meeting all national and regional building and fire life safety codes, including NFPA 101, Special Locking Arrangements. All SDC delayed egress locks release immediately in an emergency.

101-DE series delayed egress controllers must be ordered with a magnetic lock or exit device with ExitCheck® slave operation feature to secure the door. Designed to control up to two doors, order two magnetic locks or two exit devices for double door applications.*

* See related products for available magnetic locks and exit devices Consult factory for system design of applications requiring control of a bank of doors.

MODELS

101-DE Delayed Egress Controller

101-KDE* Delayed Egress Controller with Reset & Bypass Keyswitch

* Key cylinders not included, order separately. See related products.

STANDARD FEATURES

- Visual countdown display indicator
- Alternating verbal message
- Verbal countdown and alarm tone
- Built-in three function keypad
- Wandering patient, patient and infant tracking system compatible
- Code compliant operation modes
- Auto-sensing dual voltage
- Voltage and current spike protection
- Field selectable security or safety message
- Field selectable activation trigger
- Field selectable automatic or manual reset
- Field selectable sustained or timed bypass
- Single or multi-door zone control and reset
- Remote reset
- Fire/emergency release
- Anti-tailgate

OPTIONAL FEATURES

- Alarm reset on REX programming
- Alternative language programming



APPLICATIONS

SDC's 101-DE series delayed egress controllers incorporate all ExitCheck® features into a two piece delayed egress system where the door is closed and secured by delayed egress locking hardware. The 101-DE series delayed egress controller sends power to the slave operating magnetic locks or exit devices to lock the door in a secured position.

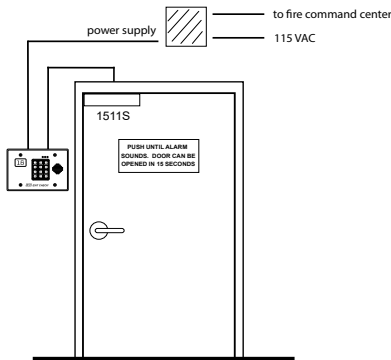


DELAYED EGRESS SLAVE MAGNETIC LOCKS*

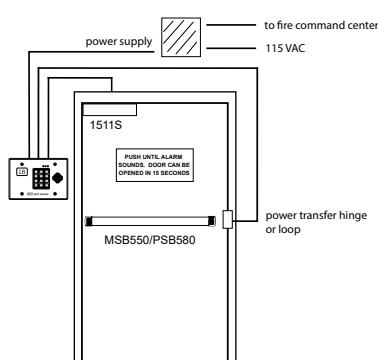
Slave operating magnetic locks secure the door in a two-piece delayed egress system. A door movement sensor in the lock activates the 101-DE series controller's trigger input which initiates the 15 or 30 second unlock cycle. Slave operating delayed egress magnetic lock models are available for indoor or outdoor applications.

DELAYED EGRESS SLAVE EXIT DEVICES*

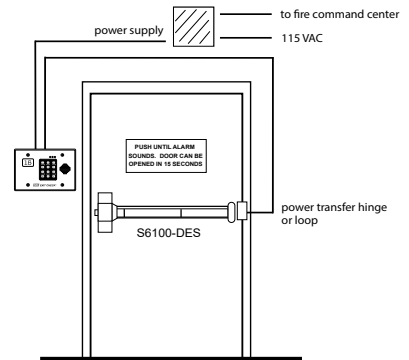
Slave operating exit devices secure the door in a two-piece delayed egress system. Depressing the push pad activates the 101-DE series controller's trigger input which initiates the 15 or 30 second unlock cycle. Slave operating delayed egress exit device models are available for both panic and fire-rated applications.



Door With Latch Assembly
Activation By Door Movement



Door Without Latch Assembly
Activation By Egress Bar



Door With Latch Assembly
Activation By Exit Device

* For double door applications, order two slave operating magnetic locks or exit devices

APPLICATIONS

Typically used on exit doors, when unauthorized egress is initiated in the locked mode, SDC's ExitCheck® locks delay egress through the door for 15 or 30 seconds. Meanwhile, the person exiting must wait while personnel or security respond. The door unlocks after 15 seconds have elapsed, permitting egress. A signal from the fire life safety system will release the lock for uninhibited egress in an emergency. 30 second egress delay available where approved.

THREE FUNCTION KEYPAD

The digital keypad eliminates the need to carry and locate keys for reset and bypass functions. The three function options include: alarm and lock reset, adjustable timed bypass or sustained bypass.

EXTERNAL ACTIVATION FOR LATCHING DOORS*

Where preferred, activation may be accomplished by a latch monitoring strike or a switch installed in a standard latching exit device or lockset. A power transfer device is required for exit devices equipped with a trigger switch.

EXTERNAL ACTIVATION FOR NON-LATCHING DOORS*

The external activation trigger input must be used with doors without latch assemblies, such as latchless glass and herculite doors. Activation may be triggered by SDC's MSB550 or PSB560 series egress bars. A power transfer device is required. Pushing on a request-to exit egress bar immediately activates the delayed egress operation.

AUTO POWER-UP

When selected, regardless of the means of deactivation, relocking of the ExitCheck® occurs when power is restored and/or the fire life safety panel is reset.

MANUAL POWER-UP

UBC, California Building Code (OSHPD) Compliant Reset

When selected, regardless of the means of deactivation, relocking of the ExitCheck® is by manual means only at the door. Only after power restoration and/or fire life safety panel reset, the door may be relocked by actuating the standard built-in key reset or optional wall mounted key switch, push switch or digital keypad located adjacent to the door.

* Separate door position switch recommended.

KEYLESS CONTROL

Although equipped with a standard built-in four function key switch for reset, manual power up, momentary bypass and sustained bypass functions, the SDC 920 wall mounted keypad provides the convenience of keyless operation for alarm reset, manual power-up, momentary bypass and sustained bypass functions.

AIRPORT & PUBLIC FACILITY SECURITY & SAFETY

Control pedestrian traffic in government, public and transportation facilities, including airport jetways and tarmacs.

LOSS PREVENTION

Provide theft protection of retail merchandise, technology and other valuables, such as art and museum artifacts.

ACCESS CONTROL

Access controls may be utilized for authorized egress, access and lock reset. Access from the exterior of latching doors requires an additional means of mechanical lock release, such as a mechanical key or electric strike.

WANDERING PATIENT AND INFANT PROTECTION



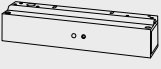
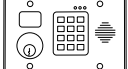
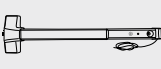
Restrict the egress of psychiatric and drug rehab patients, elderly patients in assisted living facilities and restrict the movement of nursery infants for their own safety and security.

PATIENT & INFANT TRACKING SYSTEMS

The SDC ExitCheck® is compatible with patient tracking systems like those used for protection against infant abduction from hospital nurseries and for the protection of patients in long term care facilities who may be endangered if they leave their care facility without supervision.



CROSS REFERENCE

Series	1511S	1511T	1581S	101-DE	S6000-101
					
Type	EMLock, 1650lbs	EMLock, 1650lbs	EMLock, 650lbs	Controller	Exit Device
DE System	Integrated	Integrated	Integrated	Two-Piece	Integrated
DE Activation	Built-In	Built-In	Built-In	Slave Unit	Built-In
	CLICK TO VIEW	CLICK TO VIEW	CLICK TO VIEW	CLICK TO VIEW	CLICK TO VIEW

SPECIFICATIONS

	101-DE	101-KDE
Type	Keypad Control	Keypad & Key Switch Control
Housing	Aluminum	Aluminum
Dimensions	4½" x 67/16" x 2"	4½" x 67/16" x 2"
Weight	2 lbs	2 lbs
Audible Instructions	SECURITY MESSAGE (Male Voice) Tone...."Exit in twelve seconds, Security has been alerted" Tone...."Exit in five seconds" Tone...."Exit now", Tone...."Exit now" <hr/> SAFETY MESSAGE (Female Voice) Tone...."Exit in twelve seconds, Facility Staff has been notified" Tone...."Exit in five seconds" Tone...."Exit now", Tone...."Exit now" <hr/> TONE ONLY (in lieu of voice instruction) Activation: Short beeps Lock Release: Long beeps	
Input	12/24 VDC ± 10% Auto-sensing	12/24 VDC ± 10% Auto-sensing
Current Draw	180 mA @ 12/24 VDC (Max)	180 mA @ 12/24 VDC (Max)
Alarm & Lock Secure Outputs	SPDT 1 Amp @ 30 VDC Resistive	SPDT 1 Amp @ 30 VDC Resistive

OPERATION MODES	NA	ND	NH	NC	BD	BH	BC
NFPA 101 Compliant	Yes	Yes	Yes	Yes	----	----	----
NFPA1-UFC Compliant	Yes	Yes	Yes	Yes	----	----	----
UBC Compliant	Yes	Yes	Yes	Yes	----	----	----
IBC Compliant	Yes	Yes	Yes	Yes	----	----	----
IFC Compliant	Yes	Yes	Yes	Yes	----	----	----
SBC Compliant	Yes	Yes	Yes	Yes	----	----	----
CBC Compliant	----	----	----	Yes	----	----	----
BOCA Compliant	----	----	----	----	Yes	Yes	Yes
Chicago Compliant	----	----	----	----	----	----	Yes
Egress Delay	Selectable 15 or 30 sec	Fixed 15 sec	Fixed 30 sec	Fixed 15 sec	Fixed 15 sec	Fixed 30 sec	Fixed 15 sec
Nuisance Time	Selectable 1 or 2 sec	Selectable 0 or 1 sec	Selectable 0 or 1 sec	Selectable 0 or 1 sec	Selectable 0 or 1 sec	Selectable 0 or 1 sec	Fixed 0 sec
Reset After Alarm	Manual	Manual	Manual	Manual	Auto/Manual	Auto/Manual	Auto/Manual
Lock On Power Up	Selectable Locked or Unlocked	Selectable Locked or Unlocked	Selectable Locked or Unlocked	Fixed Unlocked	Selectable Locked or Unlocked	Selectable Locked or Unlocked	Selectable Locked or Unlocked



101-DENA
101-DEND
101-DENH
101-DENC
101-DEBD
101-DEBH
101-DEBC



101-KDENA
101-KDEND
101-KDENH
101-KDENC
101-KDEBD
101-KDEBH
101-KDEBC

CERTIFICATIONS*


UL 294 Access Control System Units
 UL 10B Fire Tests of Door Assemblies
 UL 10C Positive Pressure Fire Tests of Door Assemblies
 ULC-S104 Standard Method for Fire Tests of Door Assemblies
 ULC-S533 Egress Door Securing and Releasing Devices
 NFPA 101 Life Safety Code Special Locking Arrangements
 NFPA 1-UFC Uniform Fire Code
 UBC Uniform Building Code Standard 7-2 Fire Test of Door Assemblies (1997)

IBC International Building Code Delayed Egress Locks
 IFC International Fire Code Delayed Egress Locks
 SBC Standard Building Code
 CBC, California Building Code Special Egress Control Devices
 BOCA National Building Code Special Locking Arrangements
 Chicago Building Code Electro-Magnetic Locking Devices
 CSFM Listed 3774-0324:0103

* All installations must be approved by the local Authority Having Jurisdiction (AHJ).

HOW TO ORDER

FOLLOW STEPS FOR ORDERING


 Designates optional step

1| SPECIFY MODEL

101-DE Delayed Egress Controller
101-KDE* Delayed Egress Controller with Reset & Bypass Keyswitch

* Key cylinders not included, order separately. See related products.

2| SPECIFY MODE*

NA NFPA 101, Selectable Egress Delay  Standard
ND NFPA 101, Fixed 15 Second Egress Delay
NH NFPA 101, Fixed 30 Second Egress Delay
NC CBC Compliant
BD BOCA, Fixed 15 Second Egress Delay
BH BOCA Fixed 30 Second Egress Delay
BC Chicago Compliant

* See specifications operation modes chart for complete functionality and compliance details.

3| SPECIFY OPTIONS

RRX Alarm Reset On REX Programming
VISPAN Spanish Verbal Instructions
VIENG/SPAN Bilingual Verbal Instructions, English and Spanish
VIENG/FRNCH Bilingual Verbal Instructions, English and French

* Consult factory for custom verbal instruction programming. Custom programming requires a minimum purchase order of ten units.

STEP NUMBER:	1	2	3
ORDERING EXAMPLE:	101-KDE	NA	RRX

 RELATED PRODUCTS*



INDOOR SLAVE MAGNETIC LOCKS

- 1511DEV** Single Slave EMLock, 1650lbs, 628
- 1511DEV D** Single Slave EMLock, 1650lbs, 628, DPS
- 1511DEV B** Single Slave EMLock, 1650lbs, 628, BAS
- 1511DEV DB** Single Slave EMLock, 1650lbs, 628, DPS, BAS
- 1571DEV** Single Slave EMLock, 1200lbs, 628
- 1571DEV D** Single Slave EMLock, 1200lbs, 628, DPS
- 1571DEV B** Single Slave EMLock, 1200lbs, 628, BAS
- 1571DEV DB** Single Slave EMLock, 1200lbs, 628, DPS, BAS
- 1581DEV** Single Slave EMLock, 650lbs, 628
- 1581DEV B** Single Slave EMLock, 650lbs, 628, BAS

WEATHERIZED SLAVE MAGNETIC LOCKS

- 1575DEU** Single Slave Magnetic Gate Lock, 1200lbs, Weatherized, 630, DPS, BAS
- 1576DEU** Single Slave Magnetic Gate Lock, Face-Drilled, 1200lbs, Weatherized, 630 DPS, BAS



RIM SLAVE EXIT DEVICES*

- S6101PU36DES** Rim Slave Device, Panic, 630, 36"
- S6101FU36DES** Rim Slave Device, Fire, 630, 36"
- S6101PU42DES** Rim Slave Device, Panic, 630, 42"
- S6101FU42DES** Rim Slave Device, Fire, 630, 42"
- S6101PU48DES** Rim Slave Device, Panic, 630, 48"
- S6101FU48DES** Rim Slave Device, Fire, 630, 48"

* For a complete list of available rim slave exit device configurations and trim options, please visit the S6000-DES series datasheet.



MORTISE SLAVE EXIT DEVICES*

- S6303PRRU36DES** Mortise Slave Device, Panic, RHRB, 630, 36"
- S6303FRRU36DES** Mortise Slave Device, Fire, RHRB, 630, 36"
- S6303PRRU42DES** Mortise Slave Device, Panic, RHRB, 630, 42"
- S6303FRRU42DES** Mortise Slave Device, Fire, RHRB, 630, 42"
- S6303PRRU48DES** Mortise Slave Device, Panic, RHRB, 630, 48"
- S6303FRRU48DES** Mortise Slave Device, Fire, RHRB, 630, 48"
- S6303PLRU36DES** Mortise Slave Device, Panic, LHRB, 630, 36"
- S6303FLRU36DES** Mortise Slave Device, Fire, LHRB, 630, 36"
- S6303PLRU42DES** Mortise Slave Device, Panic, LHRB, 630, 42"
- S6303FLRU42DES** Mortise Slave Device, Fire, LHRB, 630, 42"
- S6303PLRU48DES** Mortise Slave Device, Panic, LHRB, 630, 48"
- S6303FLRU48DES** Mortise Slave Device, Fire, LHRB, 630, 48"

* For a complete list of available mortise slave exit device configurations and trim options, please visit the S6300-DES series datasheet.



RELATED PRODUCTS

COMPATIBLE KEY CYLINDERS

CYL-6KDDQ Mortise Cylinder, 6-Pin, 1 1/8" Length, Keyed Different, Dull Chrome

CYL-6KAQ Mortise Cylinder 6-Pin, 1 1/8" Length, Keyed Alike, Dull Chrome



MOUNTING BOXES & SHROUDS

DEC-J Triple Gang Surface Box, 2 1/2" x 4 1/2" x 6 7/16"

SHD-J Outdoor Shroud, 4 1/4" x 4 3/4" x 6 9/16"



DELAYED EGRESS SPEAKERS

Speakers connect directly to delayed egress locks for enhanced decibels onsite or remote voice instruction duplication. Speaker driver may be provided by others for extreme decibel requirements.

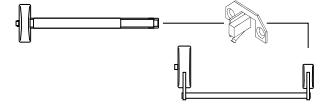
101-SP External 15 Watt Speaker

101-SPSN Remote 80db Single Gang Speaker



RETROFIT SWITCH KITS

SDC's 00500 series retrofit switch kits provide electromagnetic lock release, delayed egress activation, request-to-exit (REX), alarm shunt or alarm activation.



Switch kits are field installed in the inactive hinge pad of rim mount exit devices, mortise exit devices, concealed vertical rod exit devices and surface vertical rod exit devices.

[CLICK TO VIEW](#)

DELAYED EGRESS ANNUNCIATORS

Stainless steel local or remote annunciators provide quick identification of activated openings, enabling security or care personnel to respond rapidly. Annunciators are equipped with an audible alarm and each station is equipped with a tri-color LED that identifies delayed egress status.

101-1A Single Door Indicator, Single Gang"

101-4AM Four Door Indicator, Alarm Shunt, Double Gang

101-1AK* Single Door Indicator, Key Switch Reset & Bypass, Double Gang"

101-PAM Single Door Indicator, Alarm Shunt, Push Button Reset & Bypass, Double Gang

* Key cylinders not included, order separately.



101-1A



101-4AM



101-1AK



101-PAM

* Consult factory for special finishes.

COMPONENT CONSIDERATIONS

EGRESS DEVICES

[CLICK TO VIEW](#)



SDC egress devices are designed for the release of magnetic locks and the activation of delayed egress locks installed on non-latching doors. Request-to-exit push bars provide uninhibited egress through access-controlled openings equipped with magnetic locks, while eliminating the need for prior knowledge of egress operation and enabling egress with a single natural motion. Request-to-exit push bars also eliminate the need for wall mounted exit switches requiring prior knowledge to unlock the door.

EMERGENCY DOOR RELEASES

[CLICK TO VIEW](#)



SDC's line of emergency door releases (EDR's) are designed to provide a physical method of unlocking an electronic lock in the event of an emergency and may influence the approval of an electric locking system. EDR's are usually fitted to emergency exit doorways in higher security areas. Our EDR's can initiate the release of an individual door or all doors on the same circuit and provide an auxiliary contact remote monitoring, CCTV activation or alarm activation.

REMOTE CONTROL CONSOLES

[CLICK TO VIEW](#)



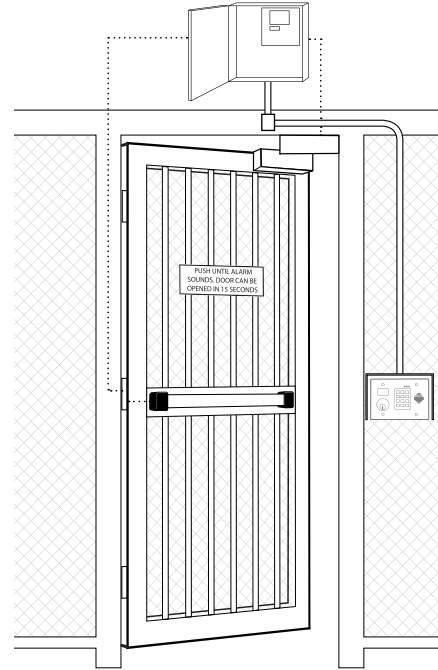
Recommended for access systems without computer management capability, SDC's remote control consoles provide a means of central supervision and control of single and multiple openings within a facility. Available in several configurations, the TCC and RCC consoles provide remote lock control, door status and lock status. The modular design permits configuration flexibility to meet the demands of different control and monitoring requirements.

KEYPADS & READERS

[CLICK TO VIEW](#)



SDC has a variety of digital keypad and proximity card access control system equipment to meet any need. SDC's keypads and readers are engineered to provide real-world door control of a single opening up to 100 doors, such as indoor, outdoor and PC-based systems, while ensuring fire and life safety code compliance along with superior expandability and flexibility in authorization identification, authentication, access approval and accountability of entities through login credentials.



POWER CONTROLLERS

[CLICK TO VIEW](#)



SDC access control power supplies have been developed specifically to support access controls and electric locking hardware. They are UL listed and provide filtered and regulated linear DC power, with optional control logic, component interface, alarm interface and battery back-up to meet the requirements of single and multiple access-controlled openings. The circuitry design is ideal for the inductive loads generated by access control hardware for high performance and longevity.

IP-BASED CONTROLLERS

[CLICK TO VIEW](#)



SDC's low power line of IP-based access control solutions eliminate long cable runs and multiple power supplies by allowing easy integration and connection to an access control system using ordinary ethernet cable in a PoE enabled network. We've ensured they work in low power PoE environments where energy efficiency, flexibility and green and sustainable requirements reach all the way to electronic hardware and locks for controlling door openings.