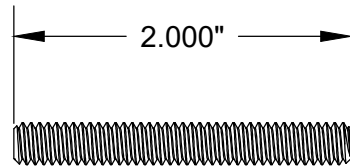
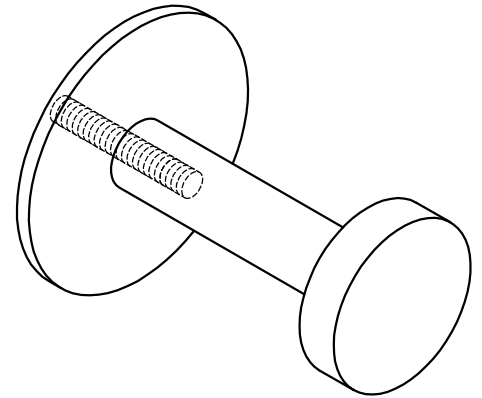
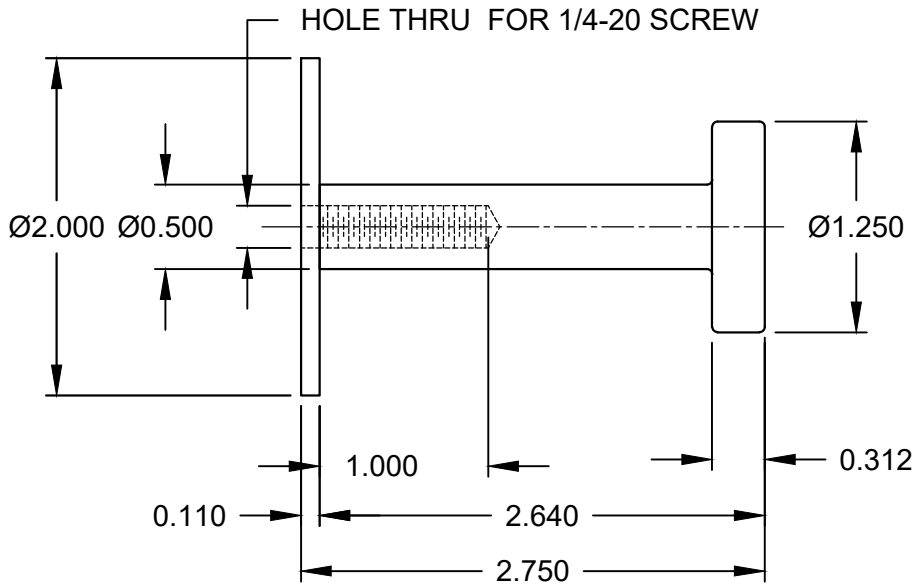
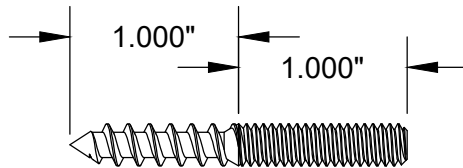


AM802 - COAT HOOK



1/4-20 x 2" MACHINE SCREW



1/4-20 MACHINE / #12 HANGER STUD

NOTE:

1. ALL DIMENSIONS ARE IN INCHES.
2. MATERIAL: S.S.



www.abhmfg.com
 E-mail: abhinfo@abhmfg.com
 Architectural Builders Hardware Mfg., Inc.
 1222 Ardmore Ave., Itasca, IL 60143
 630.875.9900; FAX 800.9FAXABH (932.9224)

ABH is a minority owned and operated manufacturing company.

©2021 ABH Mfg., Inc. printed in USA

AM802 COAT HOOK-00.DWG

AM802

PAGE 1 OF 1
 ISSUED 02-17-21