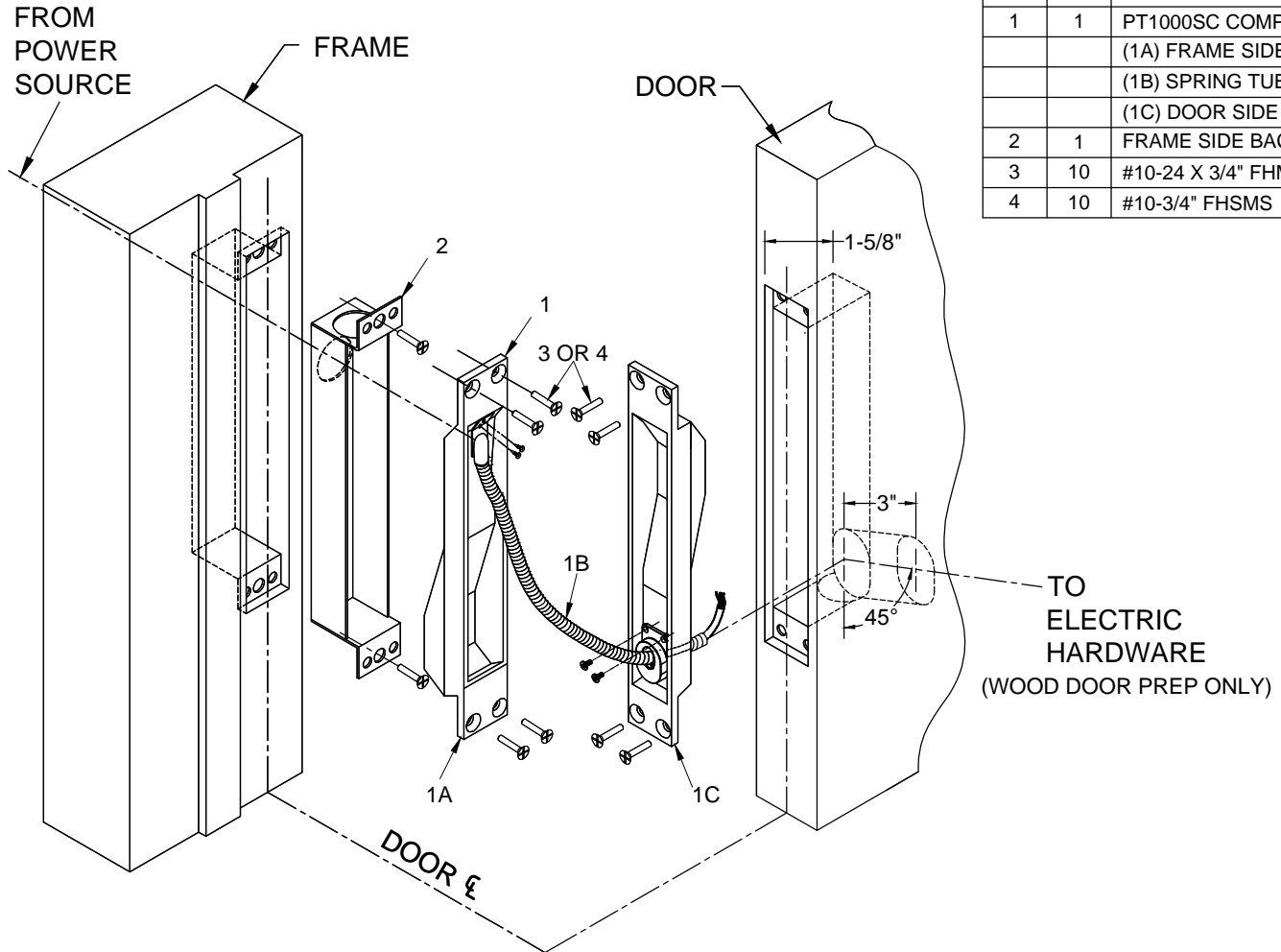


PT1000SC POWER TRANSFER TEMPLATE

- FOR DOOR THICKNESS 1-3/4" TO 2-1/4" • FOR USE WITH SWING CLEAR HINGES
- DOOR OPENING 90° TO 180°



ITEM	QTY	PART DESCRIPTION
1	1	PT1000SC COMPLETE UNIT (1A) FRAME SIDE HOUSING (1B) SPRING TUBE (1C) DOOR SIDE HOUSING
2	1	FRAME SIDE BACK BOX
3	10	#10-24 X 3/4" FHMS
4	10	#10-3/4" FHSMS

INSTALLATION INSTRUCTIONS

1. PREP DOOR AND FRAME FOR CUTOUT & REINFORCEMENT, ACCORDING TO THE TEMPLATE ON PAGE 2 (REVERSE SIDE).
2. INSTALL FRAME SIDE BACK BOX (ITEM #2) INTO FRAME PREP.
3. CONNECT WIRES FROM POWER SOURCE AND ELECTRIFIED DOOR HARDWARE TO THE POWER TRANSFER.
4. INSTALL PT1000SC UNIT (ITEM #1) INTO DOOR AND FRAME PREP AND FASTEN USING #10-24 X 3/4" MACHINE SCREWS (ITEM #3), FOR METAL DOORS OR #10 X 3/4" SHEET METAL SCREWS (ITEM #4) FOR WOOD DOORS.
5. FRAME AND DOOR PORTION MUST BE INSTALLED IN THE DIRECTION SHOWN ABOVE.

ABH
MANUFACTURING INC.

www.abhmfg.com
E-mail: abhinfo@abhmfg.com
Architectural Builders Hardware Mfg., Inc.
1222 Ardmore Ave., Itasca, IL 60143
630.875.9900; FAX 800.9FAXABH (932.9224)

© 2018 ABH Mfg., Inc.
printed in USA

PT1000SC INSTALLATION-1-03.DWG

PT1000SC

PAGE 1 OF 2
ISSUED 10-03-18

