

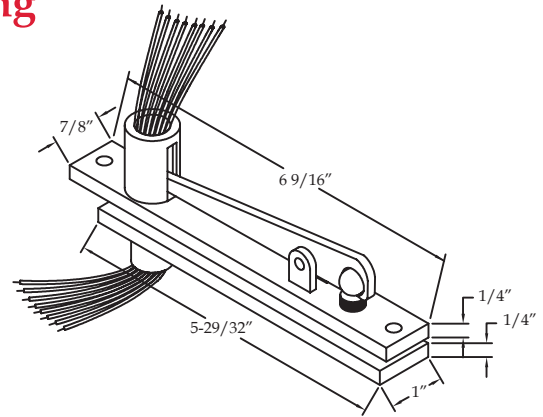
## Electrified Center Hung Top Pivots

### E0320 Top Pivot - Electrified - Center Hung Standard Features

- Provides electrical power transfer from the frame to the door
  - (8) 30 AWG Wires
- Medium Duty
- Mortises into header and top of the door
- Dress plate provided for jamb portion
- Non-handed

#### Options

- EZ - EZ Connect Molex<sup>®</sup> Connectors for installation ease
- SEC - Security fasteners

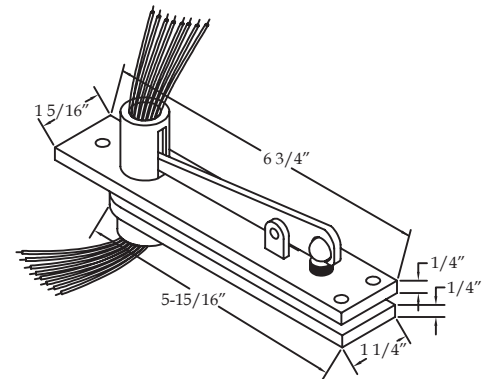


### E0340 Top Pivot - Electrified - Center Hung Standard Features

- Provides electrical power transfer from the frame to the door
  - (8) 30 AWG Wires
- Heavy duty
- Mortises into header and top of the door
- Dress plate provided for jamb portion
- Non-handed

#### Options

- EZ - EZ Connect Molex<sup>®</sup> Connectors for installation ease
- SEC - Security fasteners



### E0345 Top Pivot - Electrified - Center Hung Standard Features

- Provides electrical power transfer from the frame to the door
  - (8) 30 AWG Wires
- Extra heavy duty
- Mortises into header and top of the door
- Dress plate provided for jamb portion
- Non-handed

#### Options

- EZ - EZ Connect Molex<sup>®</sup> Connectors for installation ease
- SEC - Security fasteners

