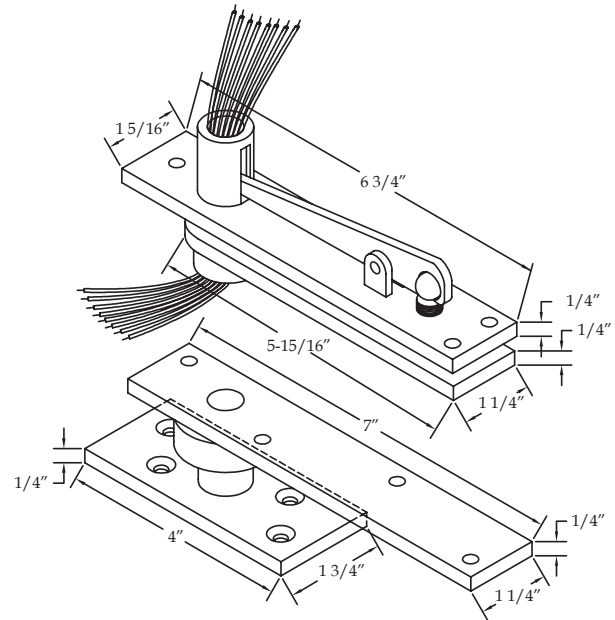


Electrified Center Hung Pivot Sets

E0370 Pivot Set - Electrified - Center Hung

Standard Features

- E0340 Electrified Top Pivot
 - Frame leaf mortises into header
 - Door leaf mortises into top of door
 - Provides electrical power transfer from the frame to the door
 - (8) 30 AWG Wires
- E0370 Bottom Pivot
 - Bottom leaf mounts on top of finished floor
 - Door leaf mortises into bottom of door
- Non-handed
- Pivot set is centered into the door thickness
- Maximum door load - 500 pounds
- Maximum door size - 44" x 102"



Options

- Can be used with **ABH® Rescue Hardware** - see Section "J"
- **EXTS** - Extended Spindle on bottom pivot (up to 2" longer than standard)
- **SEC** - Security fasteners
- **EZ** - EZ Connect Molex® Connectors for installation ease

